



REV B	NUMBER RA60-0-1	SIZE B	CODE BTC
----------	--------------------	-----------	-------------

"THIS DRAWING AND SPECIFICATIONS, HEREIN, ARE THE PROPERTY OF DIGITAL EQUIPMENT CORPORATION AND SHALL NOT BE REPRODUCED OR COPIED OR USED IN WHOLE OR IN PART AS THE BASIS FOR THE MANUFACTURE OR SALE OF ITEMS WITHOUT WRITTEN PERMISSION. 1982  
COPYRIGHT © DIGITAL EQUIPMENT CORPORATION"

DRAWING NUMBER	DESCRIPTION
D-AD-7018474-0-0	POWER MODULE ASSEMBLY
K-PL-7018474-0-DBP	POWER MODULE ASSEMBLY
D-AD-7018476-0-0	CAPACITOR/RECTIFIER ASSEMBLY
K-PL-7018476-0-DBP	CAPACITOR/RECTIFIER ASSEMBLY
D-IA-7018477-0-0	TRANSFORMER ASSEMBLY
K-PL-7018477-0-DBP	TRANSFORMER ASSEMBLY

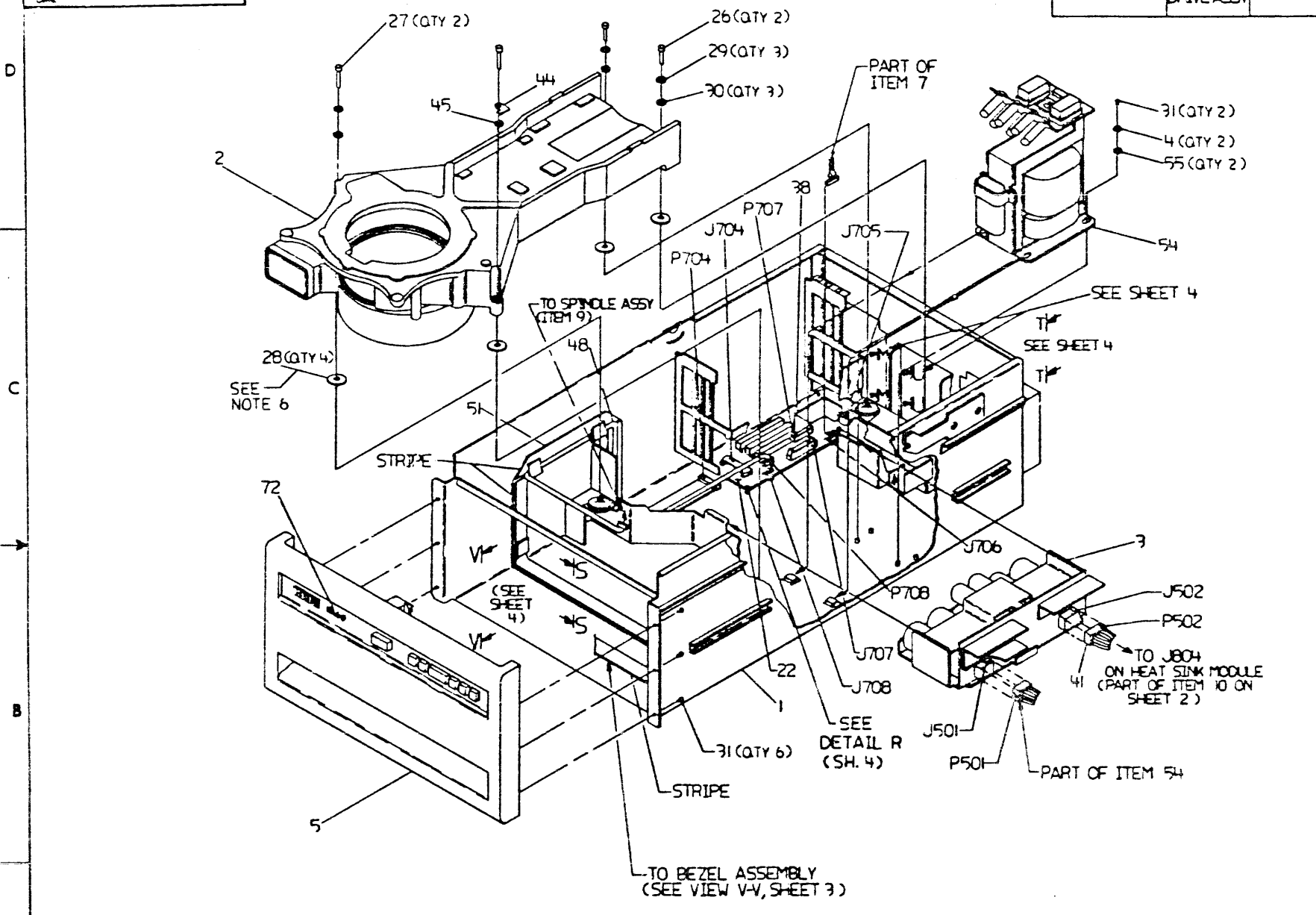
TITLE : DISK DRIVE ASSY AND SYS CONFIG.	SHEET 2 OF 2	SIZE CODE BTC	NUMBER RA60-0-1	REV B
---	--------------	------------------	--------------------	----------

THIS DRAWING AND THE SPECIFICATIONS CONTAINED HEREIN ARE CONFIDENTIAL AND PROPRIETARY. THEY ARE THE PROPERTY OF WESTERN EQUIPMENT CORPORATION AND SHALL NOT BE REPRODUCED OR COPIED OR USED IN WHOLE OR IN PART AS THE BASIS FOR MANUFACTURE OR SALE OF THIS PRODUCT WITHOUT WRITTEN PERMISSION. THIS IS AN UNCLASSIFIED DOCUMENT PROTECTED UNDER THE FEDERAL COPYRIGHT LAWS.

8 7 6 5 4 3 2 1  
 1 0-0-0960-0-0  
 RA60-00

PART NUMBER	VARIATION	PART REV.
RA60-00	RA60 DISK DRIVE ASSY	S2

- NOTES:
- OVERALL DIMENSIONS (NOMINAL):  
 A. HEIGHT: 265.18 MM / 10.44 IN.  
 B. WIDTH: 482.60 MM / 19.00 IN.  
 C. LENGTH: 857.25 MM / 33.75 IN.
  - SERIAL NUMBER LABEL (ITEM 61) TO BE LOCATED AS SHOWN AND TO CONTAIN THE FOLLOWING INFORMATION:  
 A. MODEL: RA60  
 B. SERIAL NUMBER  
 C. HZ: 50/60  
 D. W: 900  
 E. V: 120/220-240  
 F. A: 7.5/3.75
  - HEAD CABLES (PART OF ITEMS 18, 19, 20 AND 21) SHOULD BE ROUTED TO BE COINCIDENT WHEN VIEWED AS SHOWN.
  - UNLESS OTHERWISE SPECIFIED TORQUE AS FOLLOWS:  
 A. 4-40 SCREWS (PART OF ITEMS 18, 19, 20 AND 21) TO 4.5 ± 5 IN. LBS.  
 B. 6-32 SCREWS TO 7.0 ± 1.0 IN. LBS.  
 C. 8-32 SCREWS TO 12.0 ± 1.0 IN. LBS.  
 D. 10-32 SCREWS TO 24.0 ± 2.0 IN. LBS.  
 E. 1/4-20 SCREWS TO 45.0 ± 5.0 IN. LBS.  
 F. 5/16-18 SCREWS TO 75.0 ± 5.0 IN. LBS.
  - TORQUE SCREWS (ITEMS 64 AND 67) TO 4.5 ± 5 IN. LBS.
  - WASHER (ITEM 28, QTY 4) IS ONLY REQUIRED FOR USE WITH SAND CAST DECKPLATE (7425036-02).



TOP DOC: B-DD-RA60-0-0  
 CAUTION: OFF SHEET PARTS LIST EXISTS.  
 SEE K-PL-RA60-0-DBP(Z2924).

REV	DATE	BY	CHKD	DESCRIPTION
1	12 JUL 86	D. CHAMBERLAIN		REVISED PER ECO
2	23 SEP 84	R. THELLEN		REVISED PER ECO
3	23 SEP 84	R. THELLEN		REVISED PER ECO
4	23 SEP 84	R. THELLEN		REVISED PER ECO
5	23 SEP 84	R. THELLEN		REVISED PER ECO
6	23 SEP 84	R. THELLEN		REVISED PER ECO
7	23 SEP 84	R. THELLEN		REVISED PER ECO
8	23 SEP 84	R. THELLEN		REVISED PER ECO
9	23 SEP 84	R. THELLEN		REVISED PER ECO
10	23 SEP 84	R. THELLEN		REVISED PER ECO

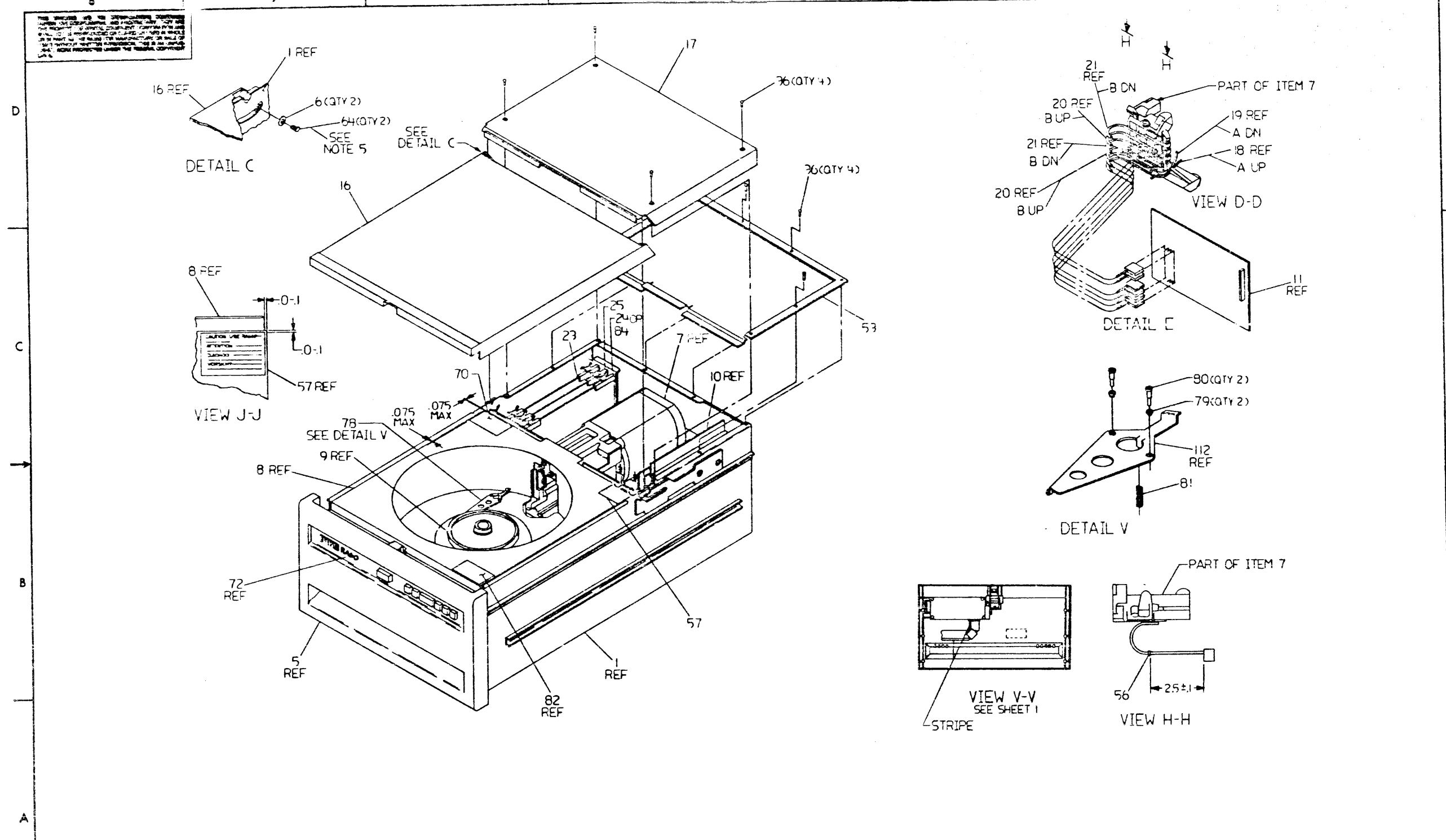
DESCRIPTION	DRAWING NO.	PART NO.	REV. NO.
UNLESS OTHERWISE SPECIFIED DIMENSIONS ARE IN INCHES AND THE FOLLOWING TOLERANCES APPLY (PER DEC STD 114)			
INCHES TOLERANCES	ANGLES ± 0°30'	APPLICABLE DIMENSION RANGE	
		OVER 0 TO 0.2	OVER 0.2 TO 1.2
SURFACE QUALITY	MICROINCHES	DIMENSION RANGE IN INCHES	
		OVER 0 TO 0.2	OVER 0.2 TO 1.2
QUANTITY & VARIATION			
THIRD ANGLE PROJECTION	DATE 3 JUN 84	TITLE RA60 DISK DRIVE ASSY	
DO NOT SCALE DRAWING	DATE 23 SEP 84	DOCUMENT NUMBER DUA RA60-0-0	
REMOVE SHARP AND BREAK SHARP CORNERS	DATE 23 SEP 84	SCALE NONE	
MATERIAL	DATE 23 SEP 84	DRAWN BY T	
SEE PARTS LIST	DATE 23 SEP 84	CHECKED BY	
FINISH	DATE 23 SEP 84	DRAWN BY	

DUA RA60-0-0



0-0-0998 701 G 2

THIS DRAWING USES THE DIMENSIONING SYSTEM  
 UNLESS THE DIMENSIONS AND DIMENSIONAL TOLERANCES  
 ARE SPECIFICALLY NOTED OTHERWISE. DIMENSIONS ARE  
 IN INCHES UNLESS OTHERWISE SPECIFIED. DIMENSIONS  
 IN PARENT INCHES SHALL TAKE PRECEDENCE OVER  
 DIMENSIONS IN PARENT MILLIMETERS. THIS IS AN ISO  
 DRAWING. DIMENSIONS SHALL BE TAKEN TO THE CENTER  
 UNLESS OTHERWISE SPECIFIED.

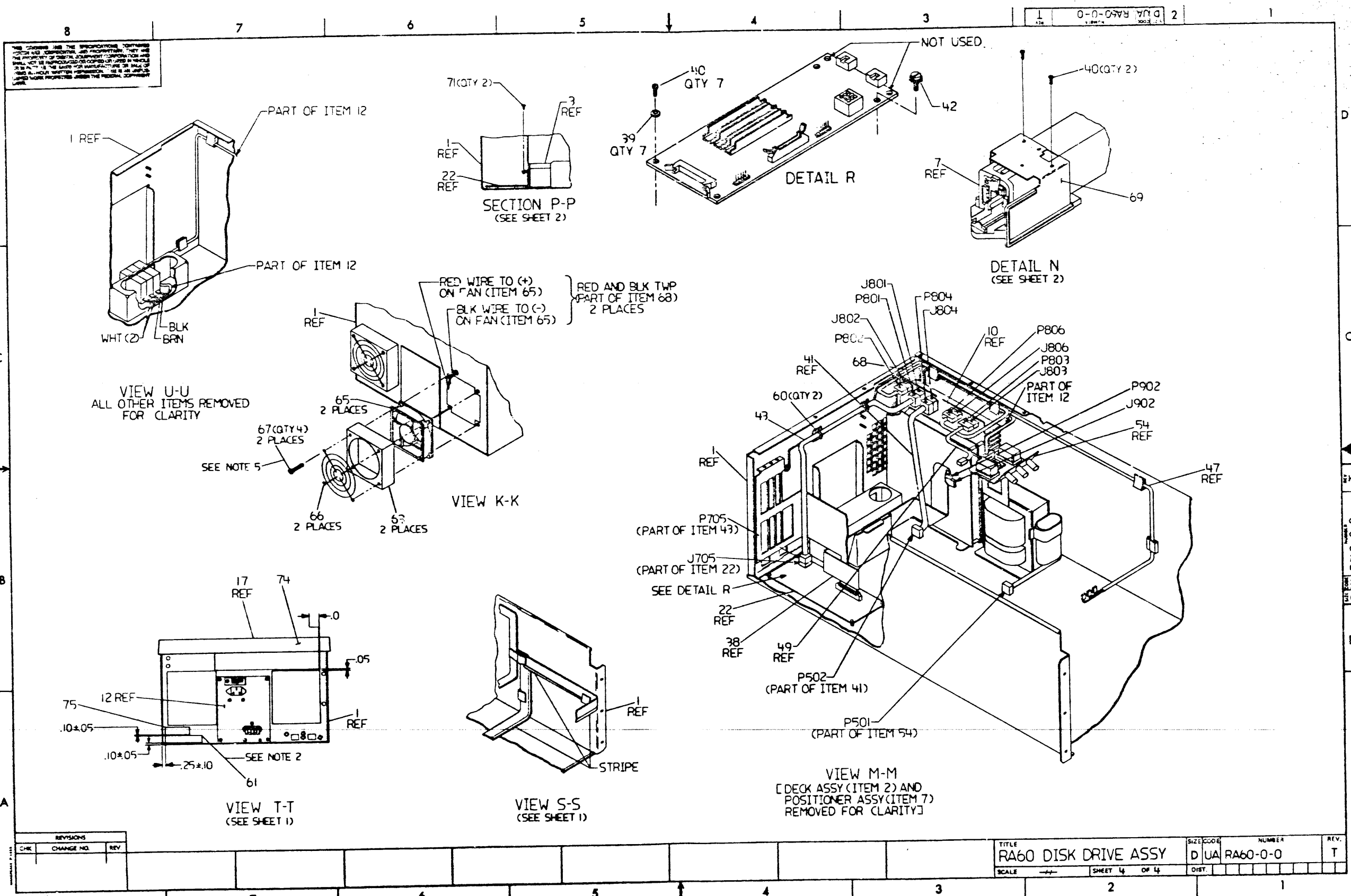


REVISIONS		
CHK	CHANGE NO	REV

TITLE	RA60 DISK DRIVE ASSY	SIZE/CODE	D U A RA60-0-0	NUMBER		REV	T
SCALE		SHEET	3	OF	4	DIST.	

DUA RA60-0-0  
 RA60 DISK DRIVE ASSY

3  
 0001



THIS DRAWING IS THE PROPERTY OF THE COMPANY. IT IS TO BE USED ONLY FOR THE PURPOSES SPECIFIED. IT IS NOT TO BE REPRODUCED OR COPIED IN WHOLE OR IN PART WITHOUT THE WRITTEN PERMISSION OF THE COMPANY. ALL DIMENSIONS ARE IN UNLESS OTHERWISE SPECIFIED.

REVISIONS		
CHK	CHANGE NO.	REV

TITLE	RA60 DISK DRIVE ASSY	SIZE CODE	D UA	NUMBER	RA60-0-0	REV.	T
SCALE	1:1	SHEET	4	OF	4	DIST.	

DRAWING NUMBER  
DUA RA60-0-0

4 of 4

LINE ITEM	TOP DOCUMENT	PART NUMBER	MIN REV	DESCRIPTION	QTY PER VARIATION
1	D-AD-7018471-0-0	7018471-01		CHASSIS ASSEMBLY	1
2	E-AD-7018450-0-0	7018450-01		DECK ASSEMBLY	1
3	D-AD-7018476-0-0	7018476-01		CAPACITOR/RECTIFIER ASSEMBLY	1
4		9006662-00		WASHER,FLAT SST	2
5	D-AD-7018470-0-0	7018470-01		BEZEL ASSEMBLY	1
6		1219711-01		WASHER,SHOULDER NYLON	2
7	D-AD-7018452-0-0	7018452-01		POSITIONER ASSEMBLY	1
8	D-IA-7018480-0-0	7018480-01		DISK WELL ASSEMBLY	1
9	D-IA-7017740-0-0	7017740-01		SPINDLE ASSEMBLY	1
10	D-AD-7018474-0-0	7018474-01		POWER MODULE ASSEMBLY	1
11	B-DD-5415268-0-0	5415268-01		PREAMP MODULE	1
12	D-AD-7018473-0-0	7018473-01		SWITCH PLATE ASSEMBLY	1
13	C-MD-7425340-0-0	7425340-01		CLAMP, FILTER	1
14	D-IA-7425455-0-0	7425455-01		PLATE,CARD SUPPORT	1
15	E-IA-7017742-0-0	7017742-01		AIR FILTER ASSEMBLY	1
16	D-IA-7018472-0-0	7018472-01		FRONT COVER ASSEMBLY	1
17	D-MD-7425334-0-0	7425334-01		COVER,REAR	1
18	A-SP-7018461-0-1	7018461-01		RA60 DATA HEAD (A-UP)	1
19	A-SP-7018461-0-1	7018461-02		RA60 DATA HEAD (A-DOWN)	1
20	A-SP-7018461-0-1	7018461-03		RA60 DATA HEAD (B-UP)	2
21	A-SP-7018461-0-1	7018461-04		RA60 DATA HEAD (B-DOWN)	2
22	B-DD-5415278-0-0	5415278-01		BACKPLANE MODULE	1
23	B-DD-5415264-0-0	5415264-01		POST AMP/DATA SEPARATOR MODULE	1
24	B-DD-5415266-0-0	5415266-01		DRIVE LOGIC MODULE	REF
25	B-DD-5415270-0-0	5415270-01		I/O MODULE	1
26		9006373-03		SCREW,CAP SOC HEX 1/4-	2
27		9006376-03		SCREW,CAP SOC HEX 1/4-	2
28	SEE NOTE 1	9010302-01		WASHER,SNUB STEEL	A/R
29		9007797-00		WASHER,HELICAL SPLIT SST	3
30		9008071-00		WASHER,FLAT SST	3

REVISION HISTORY			BASIC PART NO: RA60	DRN: M. NORVELL	DATE: 23 SEP 82	DIGITAL			
ENG	ECO NUMBER	REV	SECTION A OF A	CHK'D: D. MILLER	DATE: 23 SEP 82	TITLE PARTS LIST			
DC	RA60-CX22A	R	SECTION,VARIATION INDEX			RA60 DISK DRIVE ASSY			
DC	RA60-CX023	S	[A]00						
DC	RA60-CX025	T	[B]	DES.ENG: R. THELLEN	DATE: 23 SEP 82	DOCUMENT NUMBER			
			[C]			SIZE	CODE	NUMBER	REV
			[D]	RESP.ENG.: B. MILLER	DATE: 23 SEP 82	K	PL	RA60-0-DBP	T
			[E]	MFG.ENG.: K. GUENZEL	DATE: 23 SEP 82	RELEASE DATE: 12-JUL-85			
			[F]	ASSEMBLY NUMBER:	TOP DOCUMENT NUMBER:	FILE NAME:		EDIT #	
				D-UA-RA60-0-0	B-DD-RA60-0-0	Z2924T.PLS		11	

\*THIS DRAWING AND THE SPECIFICATIONS CONTAINED HEREIN ARE CONFIDENTIAL AND PROPRIETARY. THEY ARE THE PROPERTY OF DIGITAL EQUIPMENT CORPORATION AND SHALL NOT BE REPRODUCED OR COPIED OR USED IN WHOLE OR IN PART AS THE BASIS FOR THE MANUFACTURE OR SALE OF ITEMS WITHOUT WRITTEN PERMISSION. THIS IS AN UNPUBLISHED WORK PROTECTED UNDER THE FEDERAL COPYRIGHT LAWS.\*

PARTS LIST

LINE ITEM	TOP DOCUMENT	PART NUMBER	MIN REV	DESCRIPTION	VARIATION REVISION LEVEL:	QTY PER VARIATION		
						00 S2		
31	31	9009545-00		SCREW,SEMS PAN PHIL	8-	8		
32	32	1218893-01		SCREW,BUTN HEX SOC	5/16-	3		
33	33	9006349-08		SCREW,CAP SOC HEX	10-	11		
34	34	9007906-00		WASHER,HELICAL SPLIT	STEEL	11		
35	35	9006024-03		SCREW,MACH TRUSS PHIL	6-	12		
36	36	9006037-01		SCREW,MACH PAN PHIL	8-	8		
37	37	9009701-00		SCREW,SEMS PAN PHIL	6-	6		
38	38	C-IA-7019049-0-0		7019049-01		LOGIC CABLE	1	
39	39			9006707-00		WASHER,FLAT NYLON	7	
40	40			9006020-01		SCREW,MACH PAN PHIL	6-	9
41	41	D-IA-7019053-0-0		7019053-01		DC UNREGULATED HARNESS	1	
42	42			9010174-00		C SCREW,SEMS PAN PHIL	6-	1
43	43	D-IA-7019057-0-0		7019057-01		DC POWER HARNESS	1	
44	44			1219278-01		TERM,QUICK .250TAB 1/4"STUD	1	
45	45			9006724-00		WASHER,LOCK EXTERNAL STEEL	1	
46	46	D-IA-7019053-0-0		7019053-01		PRE/POST AMP INTERCONNECT CABLE	1	
47	47	D-IA-7019055-0-0		7019055-01		DC SPINDLE MOTOR POWER HARNESS	1	
48	48	C-IA-7019056-0-0		7019056-01		DC SPINDLE MOTOR POSITION CABLE	1	
49	49	D-IA-7019054-0-0		7019054-01		POSITIONER POWER HARNESS	1	
50	50			9008892-00		TERM,TABCK .253TAB 2POS	1	
51	51	D-IA-7019052-0-0		7019052-01		OPERATOR CONTROL PANEL CABLE	1	
52	52	C-IA-7019065-0-0		7019065-01		SPINDLE GROUND HARNESS	1	
53	53	K-MD-7427195-0-DBU		7427195-01		SHIELD,REAR	1	
54	54	D-IA-7018477-0-0		7018477-01		TRANSFORMER ASSEMBLY	1	
55	55			9008193-00		WASHER,FLAT NYLON	2	
56	56	C-MD-7426104-0-0		7426104-01		LOOM,HEAD-CABLE	1	
57	57			3620383-01		LABEL,CAUTION DISK PACK USE	1	
58	58	C-IA-7019066-0-0		7019066-01		POSITIONER GROUND HARNESS	1	
59	59			9006560-00		NUT,HEX EXT TOOTH LCKWSHR	6-32	3
60	60			9007031-00		TIE,CABLE BUNDL,DIA 0- 3/4"=101	2	
61	61			3617674-01		LABEL,SERIAL/POWER W UL & CSA	1	
62	62			3620384-01		*** THIS ITEM IS NOT USED ***	-	
63	63	K-MD-7426560-0-DBU		7426560-01		HOUSING,FAN	2	
64	64			9006022-03		SCREW,MACH TRUSS PHIL	6-	2
65	65			1217556-01		FAN,TUBE AXIAL 4.5" 105CFM 12V	2	
66	66			1210263-01		GUARD,FINGER 4.125 X 4.125 NO OF	2	
67	67			9006032-01		SCREW,MACH PAN PHIL	6-	8
68	68	D-IA-7019086-0-0		7019086-01		DC FAN CABLE	1	
69	69	K-IA-7019073-0-DBU		7019073-01		CAGE SHROUD ASSEMBLY	1	
70	70			3621997-01		LABEL,CARRIAGE LOCK	1	
71	71			9010174-01		SCREW,SEMS PAN PHIL	8-	2
72	72			3620803-01		LABEL,RA60	1	
73	73			3620757-01		*** THIS ITEM IS NOT USED ***	-	
74	74			3621105-01		LABEL,SERVICE INSTRUCTION,RA60	1	
75	75			3617880-03		LABEL,FCC,CLASS A,PERIPHERAL	1	
76	76			1222056-01		O-RING,NITRILE 6.984IDX	1	
77	77			1222098-01		O-RING,NITRILE,.239IDX.050W	2	
78	78	K-MD-7429009-0-DBU		7429009-01		LOCK,SPINDLE	1	

D	I	G	I	T	A	L	TITLE	SECTION A OF A	SIZE	CODE	DOCUMENT NUMBER	REV
							RA60 DISK DRIVE ASSY		K	PL	RA60-0-DBP	T



AUTOMATED BY PRTLST,5R(55)

PARTS LIST

SHEET A3 OF A3

LINE	ITEM	TOP DOCUMENT	PART NUMBER	MIN REV	DESCRIPTION	VARIATION	REVISION LEVEL	QTY PER VARIATION
								00
								S2
79	79		9009951-01		BUSHING, SNAP-IN NYLON	.251DX		2
80	80		9010001-01		SCREW, LD	SOC 10-		2
81	81		1222088-01		SPRING, COMPRESSION	.360DX .750		1
82	82		3621996-01		LABEL, CAUTION, SPINDOWN			1
83	83		9007649-00		WASHER, LOCK	EXTERNAL STEEL		3
84	84	B-DD-5415266-0-0	5415266-02		DRIVE LOGIC/DAUGHTER BOARD			REF
85	85	K-HD-7432012-0-DBU	7432012-01		RELEASE, COVER CATCH			1

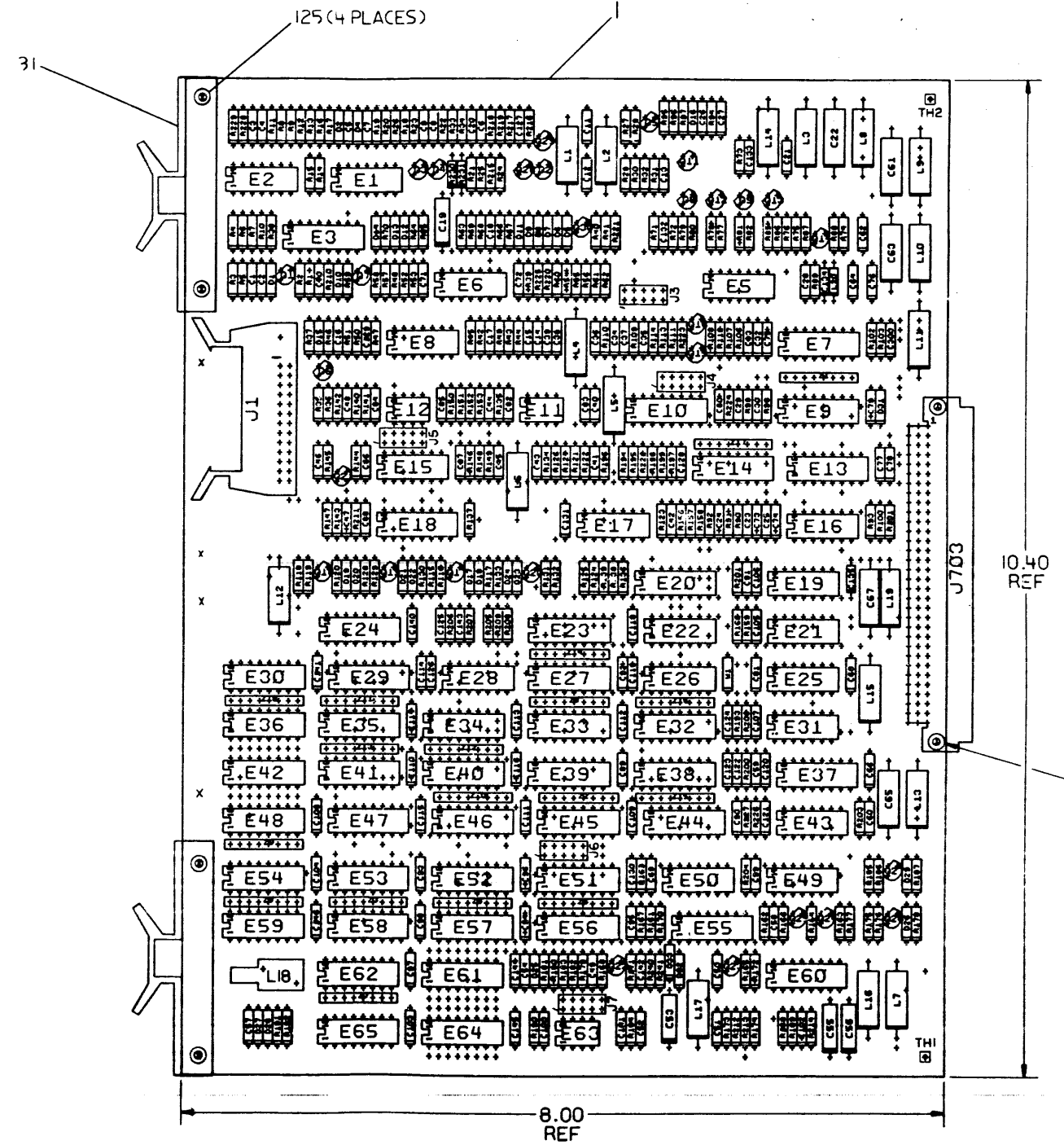
86 NOTE: 1. ITEM 28 (QTY 4) IS ONLY REQUIRED FOR USE WITH DECK ASSEMBLY  
 87 NOTE: - (C18450-01) THAT USES THE SAND CAST DECKPLATE (7425036-02)

D	I	G	I	T	A	L	TITLE	SECTION A OF A	SIZE	CODE	DOCUMENT NUMBER	REV
							RA60 DISK DRIVE ASSY		K	PL	RA60-0-DBP	T

THIS DRAWING AND SPECIFICATIONS HEREIN ARE THE PROPERTY OF DIGITAL EQUIPMENT CORPORATION AND SHALL NOT BE REPRODUCED OR COPIED OR USED IN WHOLE OR IN PART AS THE BASIS FOR THE MANUFACTURE OR SALE OF ITEMS WITHOUT WRITTEN PERMISSION. COPYRIGHT © 1983 DIGITAL EQUIPMENT CORPORATION.

2 DUA 5415264-0-0

COMPONENT SIDE VIEW



NOTES: 1. EYELET FLANGE MUST BE INSERTED FROM COMPONENT SIDE OF CONNECTOR.  
2. E36, E42, E59, E61, E64, C144 - C146, R141 ARE SPARES.

STEP E + Y AXIS C STEP Q TIMES 2AC5  
REPEAT + X AXIS B Q STEP I TIMES

CHKCHANGE NO	REV	BY	DATE
2178	5415264-0	J.P. IALUG83	
		B. RUBIKI	
		50K5415264-0	
		U.S. FERRELL	
		KAL TEN	

ETCH REV. CI-PE

SIGNATURES		DATE
DRN. Eric Jones		21 Jan 83
CHK'D. [Signature]		17 Feb 83
MECH. ENG. [Signature]		17 Feb 83
PROJ. ENG. [Signature]		17 Feb 83
PROD. [Signature]		17 Feb 83

digital

TITLE POST AMP/  
DATA SEPARATOR

SCALE: 1.5/1	SIZE CODE	NUMBER	REV
SHT. 1 OF 1	0 UA	5415264-0-0	F

NEXT HIGHER PESSY. B-00-5415264-0

DUA 5415264-0-0

1 MS# 29050K

LINE	ITEM	TOP DOCUMENT	PART NUMBER	MIN REV	DESCRIPTION	VARIATION REVISION LEVEL:	QTY PER VARIATION	REFERENCE DESIGNATOR
1	1	D-MD-5015263-0-0	5015263-01		DRILL AND ETCH BRD		1	
2	2		1001610-00		.01 MFD 50V +80-20% Z5U CER		69	C16,C18,C21,C23,C24,C26,C42,C47, CONT C54,C62,C64,C66,C68-C70,C73-C81, CONT C88-C99,C102-C126,C128-C131, CONT C135,C140,C141,C142
3	3		1012784-00		.047 MFD 50V +80-20% CER		21	C3-C7,C20,C27,C34,C35,C49,C58, CONT C71,C72,C82-C87,C100,C101
4	4		1013466-01		10.0 MMF 50V 5% CER		2	C44,C300
5	5		1013466-03		27.0 MMF 50V 5% CER		1	C50
6	6		1013466-05		56.0 MMF 50V 5% CER		1	C12
7	7		1013466-06		100.0 MMF 50V 5% CER		2	C25,C127
8	8		1013466-07		220.0 MMF 50V 5% CER		1	C51
9	9		1013466-09		1000.0 MMF 50V 10% X7R CER		1	C57
10	10		1013466-14		82.0 MMF 50V 5% CER		3	C52,C132,C133
11	11		1013466-15		1200.0 MMF 50V 10% CER		2	C9,C17
12	12		1013466-16		.010 MFD 50V 10% X7R CER		8	C1,C2,C14,C15,C29,C30,C36,C37
13	13		1013466-22		.1 MFD 50V +80-20% Z5U CER		3	C8,C13,C28
14	14		1013466-23		22.0 MMF 50V 5% CER		1	C134
15	15		1013466-28		1000.0 MMF 50V 5% CER		3	C32,C33,C60
16	16		1013466-31		15.0 MMF 50V 5% CER		1	C11
17	17		1013466-35		8200.0 MMF 50V 5% NPO CER		1	C19
18	18		1013466-36		1000.0 MMF 50V 2% NPO CER		3	C45,C46,C48
19	19		1013466-39		150.0 MMF 50V 2% NPO CER		2	C38,C40
20	20		1013466-40		270.0 MMF 50V 5% NPO CER		1	C43
21	21		1013466-41		390.0 MMF 50V 5% NPO CER		1	C59
22	22		1013466-42		4700.0 MMF 50V 2% NPO CER		3	C53,C55,C56
23	23		1017472-00		10 MFD 35V +50-10% AL EL		5	C22,C61,C63,C65,C67
24	24		1103441-00		VZ= 8.2 5% 400 MW 1N756A		7	D1,D10,D15,D18,D20,D22,D24
25	25		1105508-00		VZ= 6.2 5% 400 MW 1N823		1	D16
26	26		1109991-00		VZ= 6.8 5% 400 MW 1N754A		1	D2

REVISION HISTORY		BASIC PART NO: 5415264		DRN: SUE BOURBEAU	DATE: 04-AUG-82	DIGITAL	
ENG	ECO NUMBER	REV	SECTION A OF A	CHK'D: RON MICHAUD	DATE: 04-AUG-82	TITLE PARTS LIST	
---	INITIAL	A	SECTION VARIATION INDEX	DES.ENG: BOB RUBKE	DATE: 04-AUG-82	POST AMP/DATA SEPARATOR	
BR	5415264-CX001	B	[A] 01	RESP.ENG.: BOB RUBKE	DATE: 04-AUG-82	DOCUMENT NUMBER	
BR	5415264-CX003	C	[B]	MFG.ENG.: JOHN PAPA	DATE: 04-AUG-82	SIZE	CODE NUMBER REV
BR	5415264-CX004	D	[C]	ASSEMBLY NUMBER: D-UA-5415264-0-0	DATE: 04-AUG-82	K	PL 5415264-0-DBP E
MK	5415264-CX005	E	[D] [E] [F] [H] [J] [K] [L] [M] [N]	TOP DOCUMENT NUMBER: #B-DD-5415264-0	DATE: 04-AUG-82	RELEASE DATE:	03-FEB-84
				FILE NAME: Z2149E.PLS			EDIT # 38

"THIS DRAWING AND THE SPECIFICATIONS CONTAINED HEREIN ARE CONFIDENTIAL AND PROPRIETARY. THEY ARE THE PROPERTY OF DIGITAL EQUIPMENT CORPORATION AND SHALL NOT BE REPRODUCED OR COPIED OR USED IN WHOLE OR IN PART AS THE BASIS FOR THE MANUFACTURE OR SALE OF ITEMS WITHOUT WRITTEN PERMISSION. THIS IS AN UNPUBLISHED WORK PROTECTED UNDER THE FEDERAL COPYRIGHT LAWS."

*Handwritten:* SRS 8/27/84

PARTS LIST

LINE	ITEM	TOP DOCUMENT	PART NUMBER	MIN REV	DESCRIPTION	VARIATION REVISION LEVEL:	QTY PER VARIATION	REFERENCE DESIGNATOR
							01	
							F1	
27	27		1110994-00		VZ= 5.1 5% 400 MW 1N751A		5	D4,D13,D25,D26,D29
28	28		1113003-00		PIV= 55 IO=200 MA - 4NS 1N5282		14	D5-D9,D12,D14,D17,D19,D21,D23, CONT D31,D32,D33
29	29		1113953-00		VZ= 5.1 1% 400 MW 1N5523D		1	D11
30	30		1116824-01		VARACTOR PIV= 30 IO=400.MW		2	D27,D28
31	31		9008337-05		HANDLE, FLIP CHIP, BLUE		2	
32	32		1216832-01		PCB,HEADER 26POS(2X13).100CC 90D		1	J1
33	33		1216862-02		PCB,HEADER 10PIN(2X07).100CC STR		5	J3-J7
34	34		1219047-02		CONNECTOR,SOCKET, RA,64 POSITION		1	J703
35	35		1303313-00		12.10 K .25 W 1.0 % RN55D-F10		1	R213
36	36		1302411-00		511.0 .25 W 1.0 % RN55D-F10		6	R23,R71,R88,R137,R220,R224
37	37		1317494-00		22.10 K .25 W 1.0 % RN55D-F10		1	R203
38	38		1302612-00		1.78 K .25 W 1.0 % RN55D-F10		4	R52,R90,R240,R241
39	39		1302858-00		100.0 .25 W 1.0 % RN55D-F10		38	R2,R7,R10,R24,R29,R36,R42,R45, CONT R58,R74,R78,R79,R81,R85,R95, CONT R100,R101,R108,R112,R116,R119, CONT R121,R122,R129,R132,R144,R161, CONT R162,R163,R169,R171,R173,R176, CONT R186,R207,R209,R215,R216
40	40		1302871-00		1.21 K .25 W 1.0 % RN55D-F10		1	R65
41	41		1302872-00		681.0 .25 W 1.0 % RN55D-F10		2	R77,R86
42	42		1302873-00		261.0 .25 W 1.0 % RN55D-F10		1	R87
43	43		1302874-00		147.0 .25 W 1.0 % RN55D-F10		1	R97
44	44		1302875-00		82.50 .25 W 1.0 % RN55D-F10		6	R194,R195,R197,R198,R222,R223
45	45		1302941-00		14.70 K .25 W 1.0 % RN55D-F10		4	R8,R11-R13
46	46		1302955-00		750.0 .25 W 1.0 % RN55D-F10		3	R94,R109,R110
47	47		1302956-00		196.0 .25 W 1.0 % RN55D-F10		7	R22,R89,R98,R99,R159,R160,R190
48	48		1303037-00		90.90 .25 W 1.0 % RN55D-F10		2	R3,R5
49	49		1303045-00		3.16 K .25 W 1.0 % RN55D-F10		12	R30-R32,R55,R68,R106,R107,R170, CONT R172,R175,R185,R212
50	50		1303047-00		464.0 .25 W 1.0 % RN55D-F10		3	R16,R17,R166
51	51		1303067-00		422.0 .25 W 1.0 % RN55D-F10		6	R21,R25,R28,R168,R174,R217
52	52		1303114-00		1.0 K .25 W 1.0 % RN55D-F10		28	R18,R26,R40,R43,R44,R66,R67,R75, CONT R76,R126,R138,R139,R148,R149, CONT R156-R158,R177,R180,R181,R200, CONT R201,R204,R206,R208,R210,R211, CONT R214
53	53		1303155-00		21.50 K .25 W 1.0 % RN55D-F10		7	R53,R54,R60,R150-R153
54	54		1303311-00		46.40 K .25 W 1.0 % RN55D-F10		1	R179
55	55		1303312-00		10.0 K .25 W 1.0 % RN55D-F10		4	R41,R48,R63,R135
56	56		1304693-00		562.0 .25 W 1.0 % RN55D-F10		2	R19,R20
57	57		1304854-00		5.11 K .25 W 1.0 % RN55D-F10		13	R14,R15,R39,R50,R51,R124,R125, CONT R127,R178,R187,R221,R228,R229
58	58		1304862-00		1.62 K .25 W 1.0 % RN55D-F10		1	R27
59	59		1304863-00		316.0 .25 W 1.0 % RN55D-F10		7	R96,R102,R103,R182,R184,R188, CONT R189
60	60		1305108-00		1.47 K .25 W 1.0 % RN55D-F10		10	R1,R4,R6,R35,R49,R57,R115,R118, CONT R128,R131

D I G I T A L		TITLE	POST AMP/DATA SEPARATOR	SECTION A OF A	SIZE	CODE	DOCUMENT NUMBER	REV
					K	PL	5415264-0-DBP	E

PARTS LIST

LINE	ITEM	TOP DOCUMENT	PART NUMBER	MIN REV	DESCRIPTION	QTY	PER VARIATION	REFERENCE DESIGNATOR
					VARIATION REVISION LEVEL:	01		
						F1		
61	61		1305123-00	215.0				
62	62		1305126-00	619.0	.25 W 1.0 % RN55D-F10	4		R72,R91,R92,R183
63	63		1305143-00	825.0	.25 W 1.0 % RN55D-F10	2		R191,R192
64	64		1305255-00	121.0 K	.25 W 1.0 % RN55D-F10	2		R218,R219
65	65		1305337-00	3.65 K	.25 W 1.0 % RN55D-F10	1		R225
66	66		1305419-00	31.60 K	.25 W 1.0 % RN55D-F10	1		R205
67	67		1310630-00	1.33 K	.25 W 1.0 % RN55D-F10	1		R47
68	68		1311422-00	178.0	.25 W 1.0 % RN55D-F10	5		R113,R114,R145-R147
69	69		1311594-00	30.10 K	.25 W 1.0 % RN55D-F10	4		R80,R92,R142,R143
70	70		1311653-00	2.15 K	.25 W 1.0 % RN55D-F10	1		R46
						10		R9,R37,R38,R56,R59,R69,R117,
71	71		1312480-00	1.54 K	.25 W 1.0 % RN55D-F10	2	CONT	R120,R130,R133
72	72		1312921-00	649.0	.25 W 1.0 % RN55D-F10	1		R165,R167
73	73		1313583-00	150.0	.25 W 1.0 % RN55D-F10	1		R111
74	74		1313592-00	4.87 K	.25 W 1.0 % RN55D-F10	3		R73,R196,R199
75	75		1313776-00	806.0	.25 W 1.0 % RN55D-F10	7		R61,R62,R93,R123,R202,R226,R227
76	76		1313841-00	23.20 K	.25 W 1.0 % RN55D-F10	4		R33,R34,R230,R231
77	77		1314187-00	6.19 K	.25 W 1.0 % RN55D-F10	1		R193
78	78		1314387-00	3.90 M	.25 W 5.0 % CF	2		R136,R164
79	79		1314988-00	6.65 K	.25 W 1.0 % RN55D-F10	1		R64
80	80		1316254-00	R NETWORK	7-470 2.0 % 8PIN	1		R134
81	81		1317398-00	4.22 K	.25 W 1.0 % RN55D-F10	18		Z1-Z18
82	82		1509524-00	2N 3904	NPN 310MW SI 40 40 M	1		R70
83	83		1509525-00	2N 3906	PNP 310MW SI 40100 Y	23		Q1-Q9,Q11,Q15-Q21,Q25-Q30
84	84		1517998-00	3127	NPN 425MW ARRAY 16PIN	4		Q12,Q13,Q14,Q24
85	85		1519472-01	2N 4209	PNP 300MW 15V@50MA	1		E55
86	86		1602472-00	4.7 UH	#1025-36	2		Q22,Q23
87	87		1610662-00	100.0 UH	10% 165MA #DD1 00	1		L2
88	88		1611257-01	CHOKE(CERAMIC BEAD)	AXIAL LEAD,ON	1		L6
89	89		1612946-04	6.8 UH	10% Q MIN=52@7.9MHZ	1		L13
90	90		1612946-06	8.2 UH	2% Q MIN=55@7.9MHZ	1		L1
91	91		1612946-10	3.3 UH	10% Q MIN=45@2.5MHZ	2		L4,L5
92	92		1619014-01	DELAY=	20NS,10TAPS	1		L20
93	93		1619035-02	.15UH	VARIABLE	1		E22
94	94		1619259-01	1.0 UH	10%	1		L18
95	95		1619259-02	3.3 UH	10%	2		L12,L19
96	96		1619259-03	15.0 UH	10%	8		L7-L11,L14-L16
97	97		1619259-04	22.0 UH	10%	1		L3
98	98		1620077-01	DELAY=	50NS,10TAPS	1		L17
99	99		1910268-00	DEC 75107B	RECEIVER,LINE,DUAL,	1		E5
100	100		1910644-00	733	DIFFERENTIAL AMP,WID	2		E16,E28
101	101		1910735-02	318	OP AMP	1		E1
102	102		1910741-00	7406	INVERTER GATE-HEX 1I	3		E11,E12,E63
103	103		1911398-00	10101	OR/NOR GATE,4-2IN	3		E25,E49,E50
104	104		1911399-00	10102	NOR GATE,QUAD 2IN	1		E54
105	105		1911401-00	10104	AND GATE,QUAD 2IN	1		E14
106	106		1911402-00	10105	OR/NOR GATE,2-3-2	2		E33,E39
107	107		1911403-00	10106	NOR GATE,4-3-3	4		E30,E46,E51,E57
						1		E34

D	I	G	I	T	A	L	TITLE	SECTION A OF A	SIZE	CODE	DOCUMENT NUMBER	REV
							POST AMP/DATA SEPARATOR		K	PL	5415264-0-DBP	E

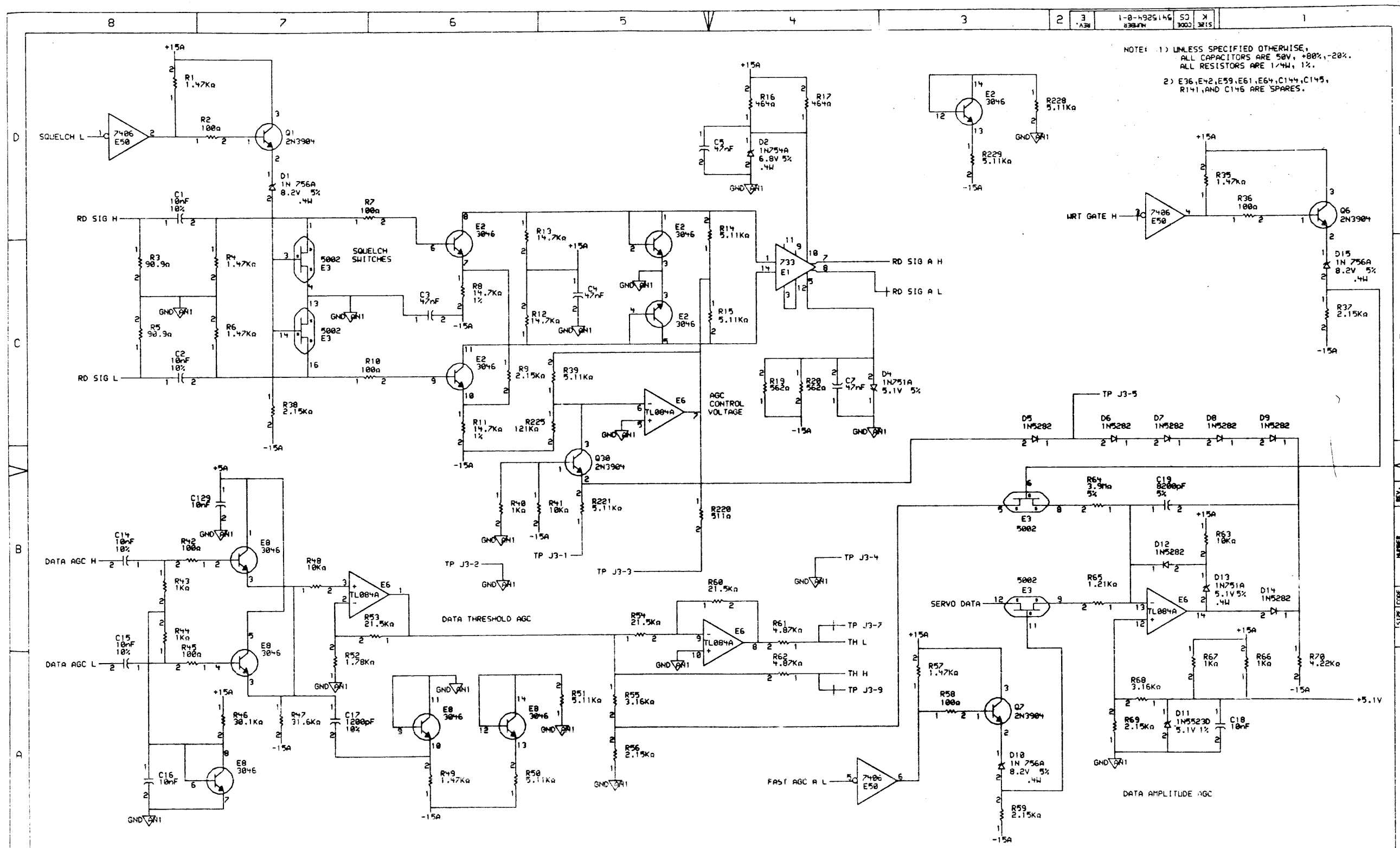
AUTOMATED BY PRTLST.3P(44)

PARTS LIST

SHEET A4 OF A4

LINE	ITEM	TOP DOCUMENT	PART NUMBER	MIN REV	DESCRIPTION	QTY	PER VARIATION	REFERENCE DESIGNATOR
108	108		1911404-00		10107 XOR/NOR GATE,3-2IN	1		E58
109	109		1911414-00		10124 TTL TO ECL TRNSLTR	1		E38
110	110		1911416-00		10131 DUAL D MSTR/SL.FF	11		E9,E23,E24,E27,E32,E44,E45,E48,
					VARIATION REVISION LEVEL:	F1		
111	111		1911419-00		10164 8 LINE MUX	1	CONT	E53,E56,E62
112	112		1911420-00		10174 DUAL 4 TO 1 MUX	2		E20
113	113		1911501-00		10141 SHIFT REG,4BIT,UNIVS	2		E40,E47
114	114		1912803-00		LS04 INVERTER GATE,HEX	2		E29,E35
115	115		1912805-00		LS08 AND GATE-QUAD 2IN,PO	2		E21,E26
116	116		1912824-00		LS74 FF-D DUAL,EDGE TRIGG	1		E19,E31
117	117		1912837-00		LS123 ONE SHOT-DUAL,RETRIG	1		E43
118	118		1913017-00		3046 XSISTOR ARRAY,3 ISOL	3		E37
119	119		1913220-00		10216 RECEIVER,TRIPLE LINE	1		E2,E8,E17
120	120		1914485-01	TL	084ACNOP AMP,QUAD JFET	2		E65
121	121		1915186-00	AM	687DL VOLT.COMPARATOR,DUA	2		E6,E15
122	122		1918203-00		10116 LINE RECIEVER,TRIPLE	1		F7,E13
123	123		1918535-00	MC	10135 DUAL MSTR/SLAVE JK 16	2		E10
124	124		2118743-00		5002N FET ANALOG SW,QUAD D	3		E41,E52
125	125		7006732-00		EYELET,ROLLED 0.1210DX0.219	4		E3,E18,E60
126	126		9009185-00		JUMPER, WIRE, INSULATED, BLACK B	1		W1
127	127		9105740-55		*** THIS ITEM IS NOT USED ***	-		
128	128		9107256-11		*** THIS ITEM IS NOT USED ***	-		
129	129		1013466-13		39.0 MMF 50V 5% CER	2		C39,C41
130	130		1313846-00		2.26 K .25 W 1.0 % RN55D-F10	1		R140
131	131		9107255-00		*** THIS ITEM IS NOT USED ***	-		
132	132		1013466-43		.01 MFD 50V 5% X7R CER	1		C143
133	133		9010489-01		RIVET SEMI-TUBE OVAL .099DI	2		

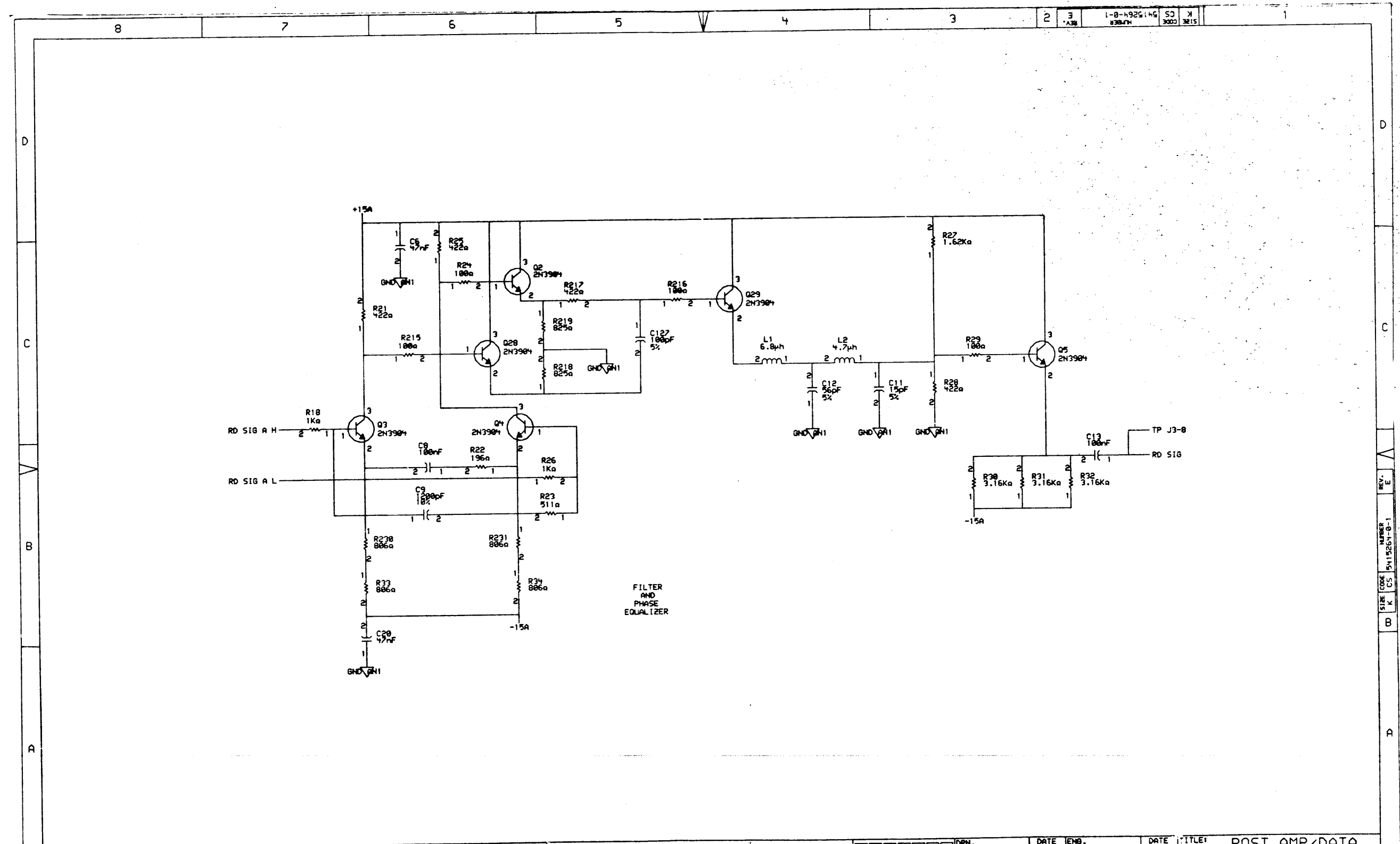
D	I	G	I	T	A	L	TITLE	SECTION A OF A	SIZE	CODE	DOCUMENT NUMBER	REV
							POST AMP/DATA SEPARATOR		K	PL	5415264-0-DBP	E



THIS DRAWING AND SPECIFICATIONS ARE THE PROPERTY OF DIGITAL EQUIPMENT CORPORATION AND SHALL NOT BE REPRODUCED OR COPIED IN WHOLE OR IN PART WITHOUT THE WRITTEN PERMISSION OF DIGITAL EQUIPMENT CORPORATION.

REV.	CHG.	CHANGE NO.	REV.
E			

DRN	11-AUG-83	ENG	DATE	11-AUG-83	TITLE	POST AMP/DATA SEPARATOR
CHK'D		DATE		BOARD LOCATION		
IDEAL: (SCHEMATIC) 11-AUG-83 09:31		NEXT HIGHER ASSEMBLY		SIZE	CODE	NUMBER
FIRST USED ON OPTION/MODEL	RAB0	B-DD-5415264-0		K	CS	5415264-0-1



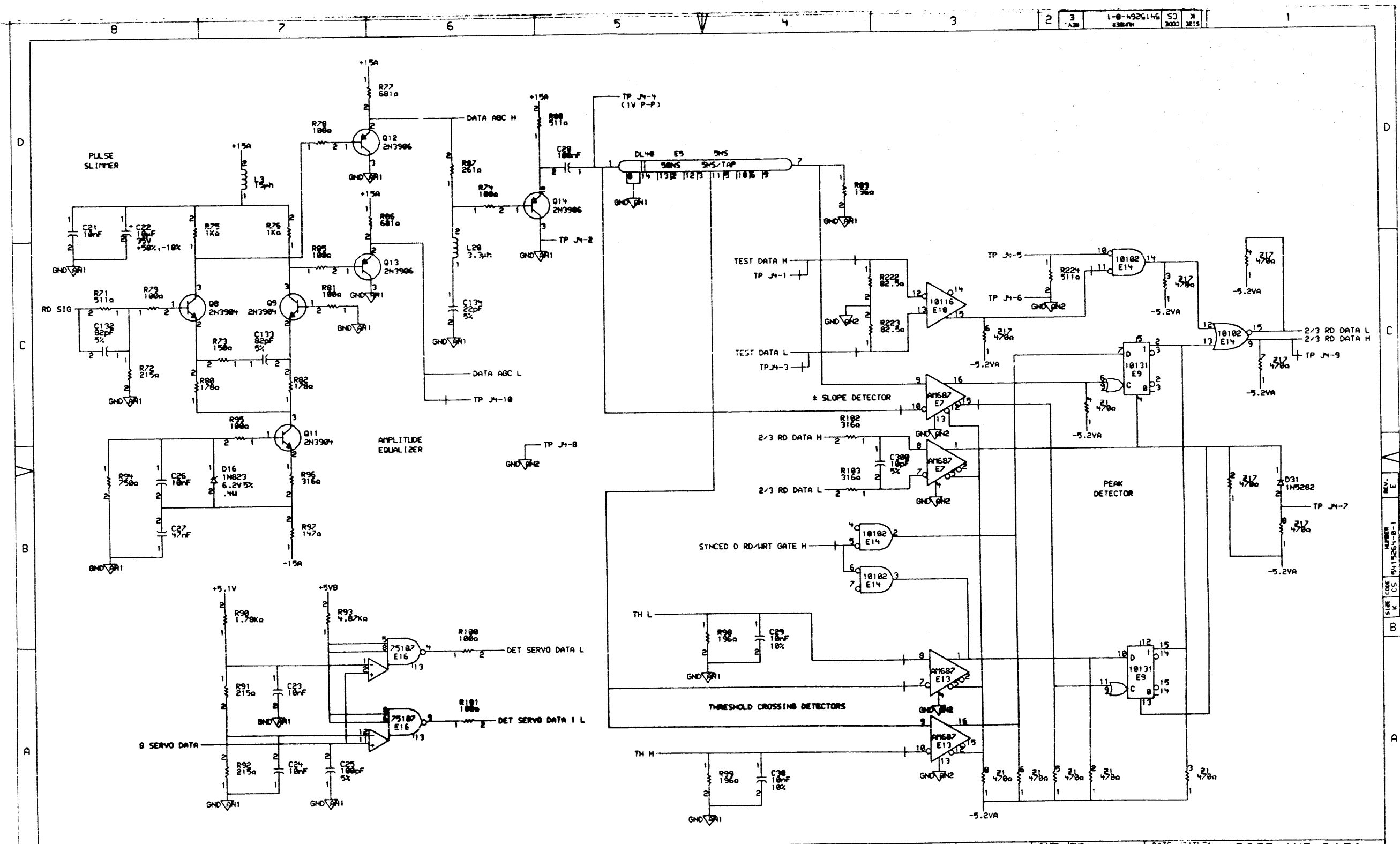
THIS DRAWING AND SPECIFICATIONS  
HEREIN ARE THE PROPERTY OF  
DIGITAL EQUIPMENT CORPORATION AND  
SHALL BE REPRODUCED OR COPIED  
OR USED IN WHOLE OR IN PART AS  
THE BASIS FOR THE MANUFACTURE  
OF ANY ITEM WITHOUT THE WRITTEN  
PERMISSION OF DIGITAL EQUIPMENT CORPORATION.

REVISIONS	
CHK	CHANGE NO. REV

	DRN.	DATE	ENG.	DATE	TITLE
	CHK'D.	11-20-83			POST AMP/DATA SEPARATOR
IDEAL CASE LEADER PAPER ORN 111-AUG-83 09182 NEXT HIGHER ASSEMBLY: FIRST USED ON OPTION/MODEL: RA60		BOARD LOCATION: SHEET 2 OF 18		SIZE CODE NUMBER K CS 5415264-0-1	
B-DD-5415264-0					REV. E

REV. E  
 NUMBER 5415264-0-1  
 CS  
 CODE K  
 SIZE  
 BOARD LOCATION  
 SHEET 2 OF 18



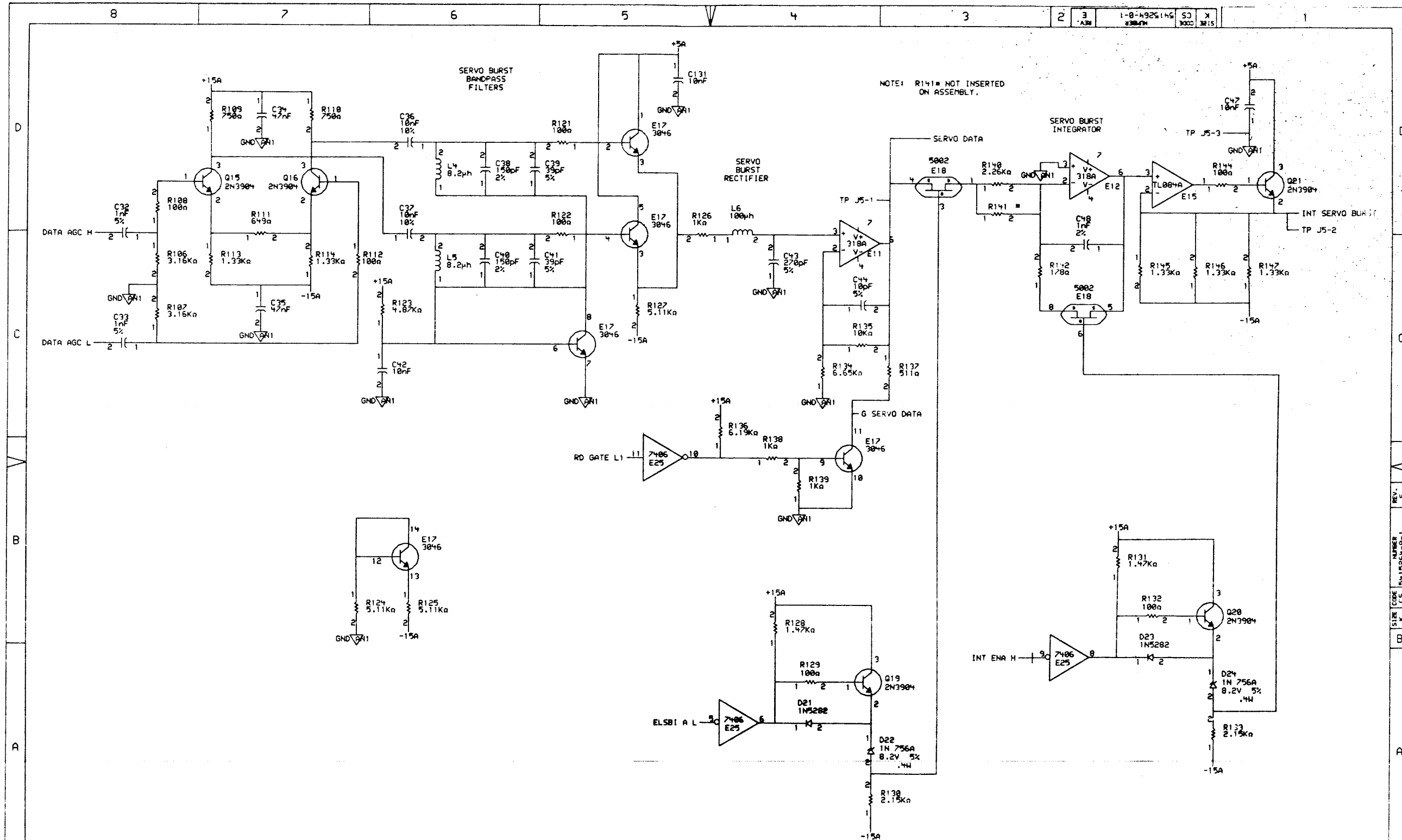


THIS DRAWING AND SPECIFICATIONS  
HEREIN ARE THE PROPERTY OF  
DIGITAL EQUIPMENT CORPORATION AND  
SHALL NOT BE REPRODUCED OR  
TRANSMITTED IN ANY FORM OR BY  
ANY MEANS, ELECTRONIC OR MECHANICAL,  
INCLUDING PHOTOCOPYING, RECORDING,  
OR BY ANY INFORMATION STORAGE  
RETRIEVAL SYSTEM, WITHOUT THE  
WRITTEN PERMISSION OF DIGITAL  
EQUIPMENT CORPORATION.

REVISIONS		
CHK	CHANGE NO.	REV

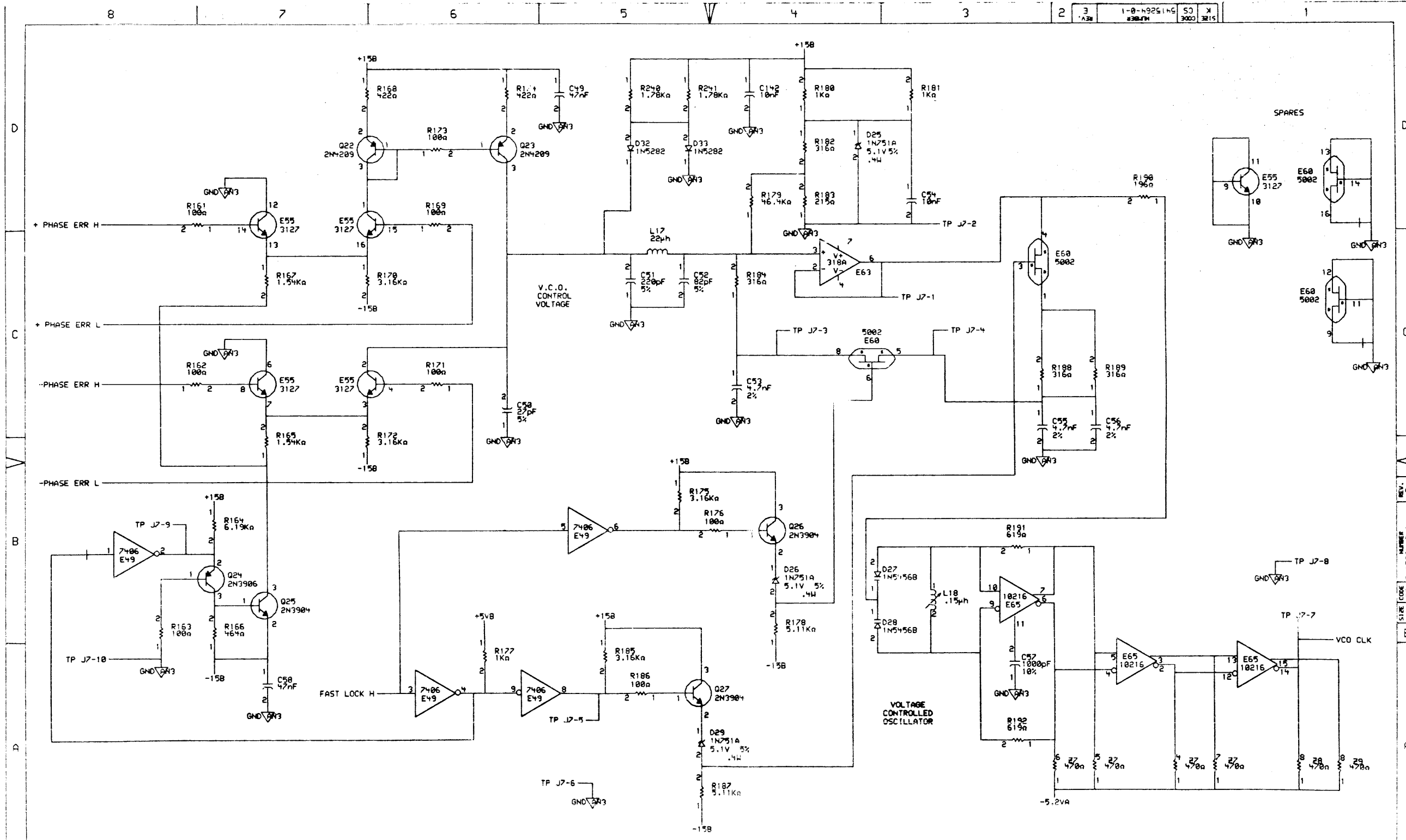
DRN.	DATE	ENG.	DATE	TITLE:
CHK'D.	DATE	BOARD LOCATION:		POST AMP/DATA SEPARATOR
FIRST USED ON OPTION/MODEL: RA60				SIZE CODE NUMBER REV. K CS 5415264-0-1 E

REV. E  
SIZE CODE NUMBER REV.  
K CS 5415264-0-1 E



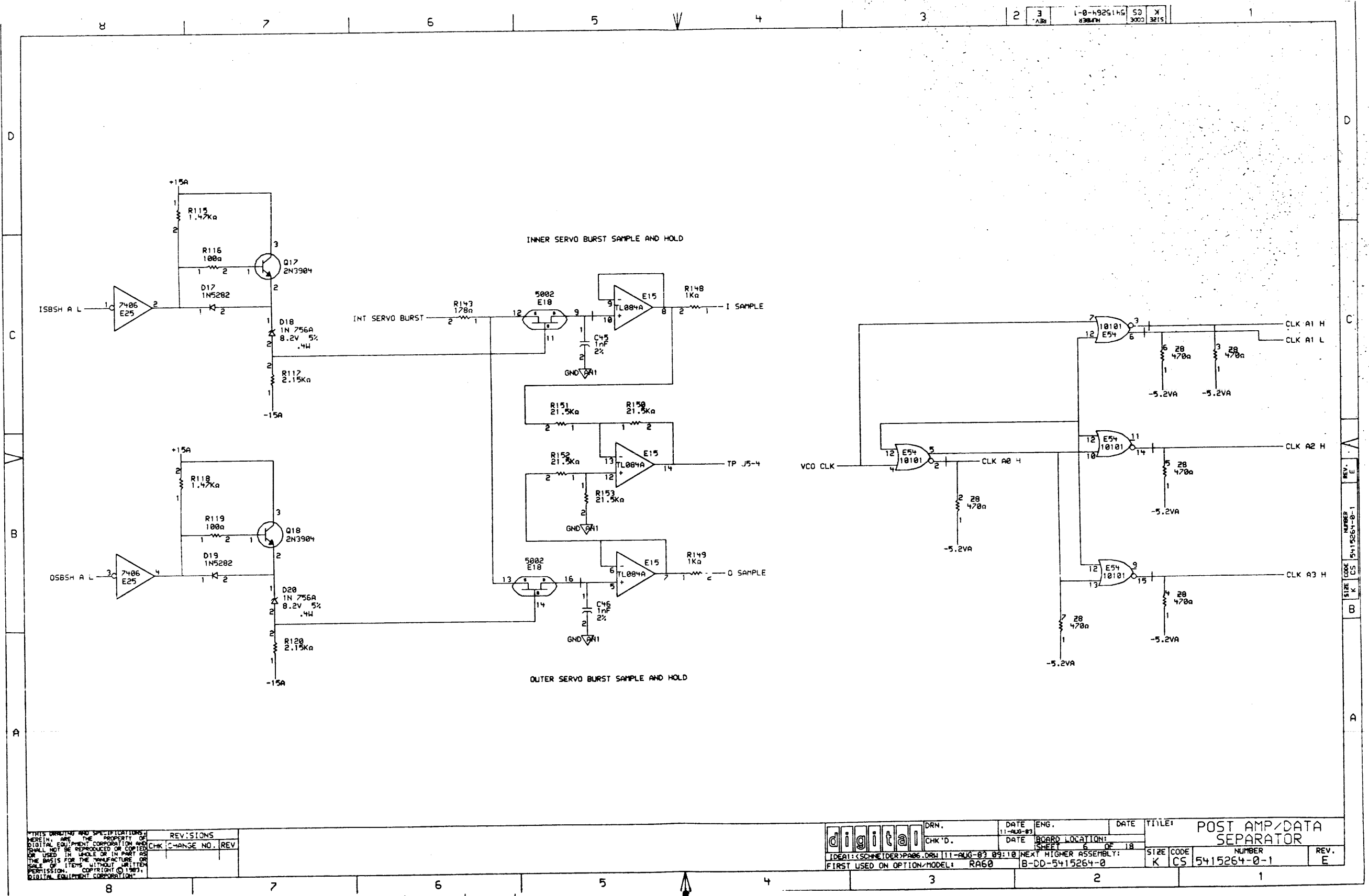
THIS DRAWING AND SPECIFICATIONS ARE THE PROPERTY OF DIGITAL EQUIPMENT CORPORATION AND SHALL NOT BE REPRODUCED OR COPIED OR USED IN WHOLE OR IN PART AS THE BASIS FOR THE MANUFACTURE OR SALE OF ITEMS WITHOUT WRITTEN PERMISSION. COPYRIGHT © 1971, DIGITAL EQUIPMENT CORPORATION.		<b>REVISIONS</b> CHK CHANGE NO. REV		<b>digital</b> DRN.		DATE 11-18-83 ENG.		DATE		TITLE: POST AMP/DATA SEPARATOR	
				IDEAL: (SCHNEIDER) PAPER DRN 11-AUG-83 09106 NEXT HIGHER ASSEMBLY:		DATE BOARD LOCATION:		SHEET 4 OF 18		SIZE CODE NUMBER REV.	
				FIRST USED ON OPTION/MODEL: RA60		B-DD-5+15264-B		K CS 5415264-0-1		E	

REV. E  
 NUMBER 5415264-0-1  
 SIZE K CS  
 CD



REVISIONS	
NO.	DESCRIPTION

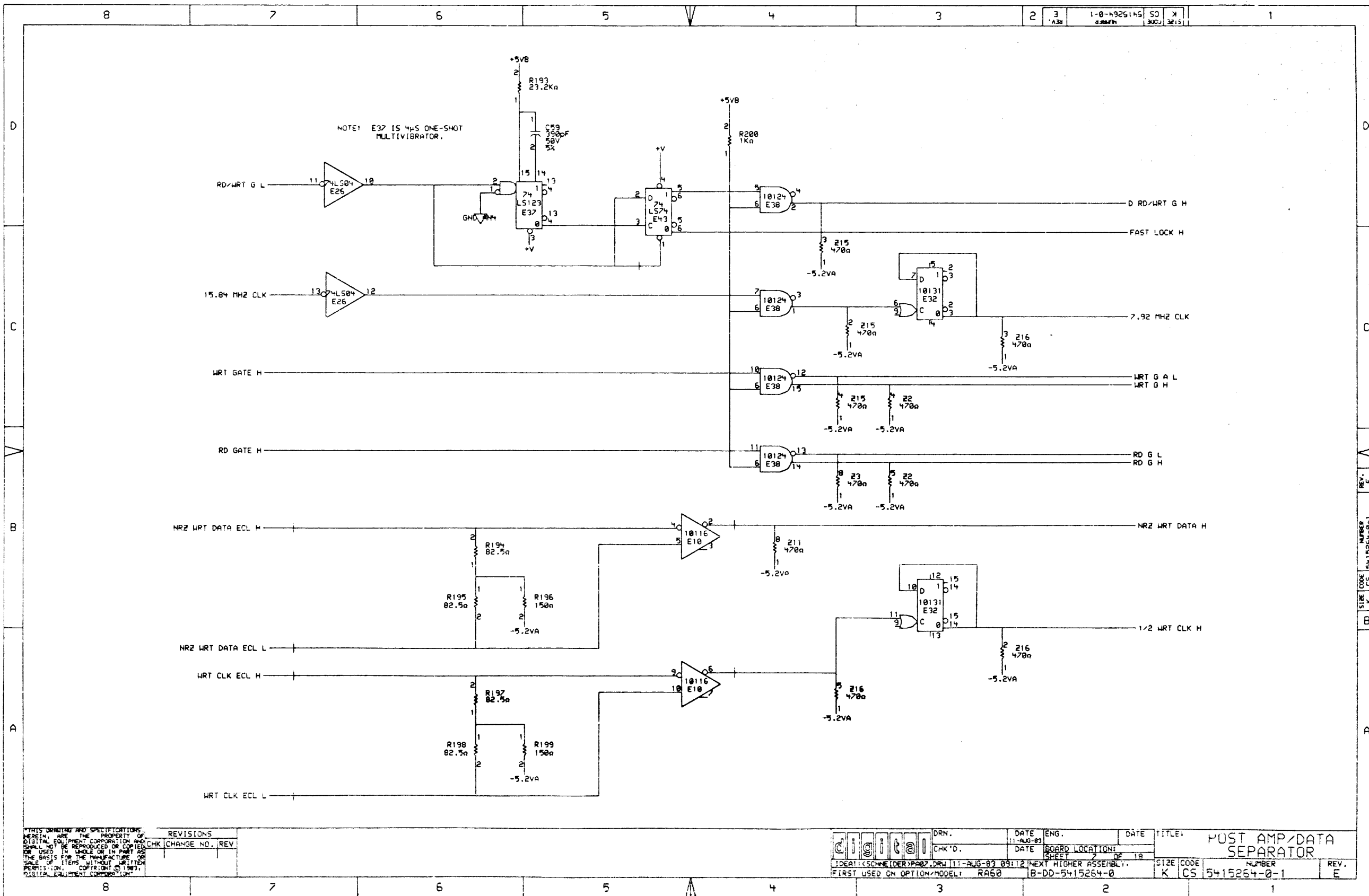
DRN.	DATE ENG.	DATE	TITLE:
CHK'D.	DATE BOARD LOCATION	SHEET	OF 18
FIRST USED ON OPTION/MODEL: RA60		SIZE	CODE
NEXT HIGHER ASSEMBLY: B-00-5415264-0		NUMBER	REV.
		K CS	5415264-0-1 E



THIS DRAWING AND SPECIFICATIONS ARE THE PROPERTY OF DIGITAL EQUIPMENT CORPORATION AND SHALL NOT BE REPRODUCED OR COPIED OR USED IN WHOLE OR IN PART AS THE BASIS FOR THE MANUFACTURE OR SALE OF ITEMS WITHOUT WRITTEN PERMISSION. COPYRIGHT © 1983, DIGITAL EQUIPMENT CORPORATION.

REV.	CHG.	NO.	REV.

digital	DRN.	DATE	ENG.	DATE	TITLE	POST AMP/DATA SEPARATOR
	CHK'D.	DATE	BOARD LOCATION:	SHEET 6 OF 18		
IDEAL:SCHEIDER:PA06.DRW		11-AUG-83 09:10	NEXT HIGHER ASSEMBLY:		SIZE	CODE
FIRST USED ON OPTION/MODEL:		RA60	B-DD-5415264-0		K	CS
					NUMBER	REV.
					5415264-0-1	E

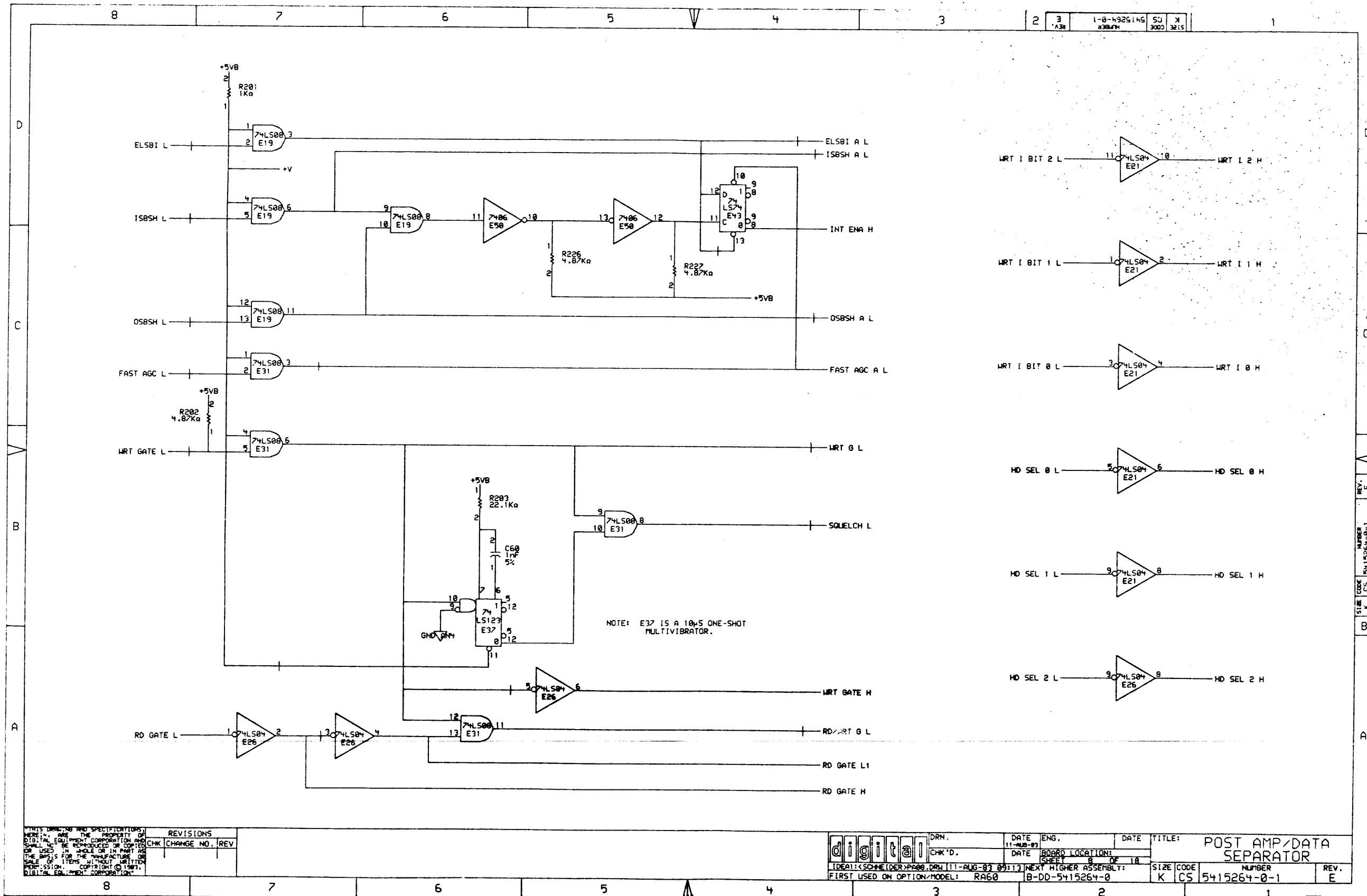


NOTE: E37 IS 4µS ONE-SHOT MULTIVIBRATOR.

THIS DRAWING AND SPECIFICATIONS ARE THE PROPERTY OF DIGITAL EQUIPMENT CORPORATION AND SHALL NOT BE REPRODUCED OR COPIED OR USED IN WHOLE OR IN PART AS THE BASIS FOR THE MANUFACTURE OR SALE OF ITEMS WITHOUT WRITTEN PERMISSION. COPYRIGHT © 1983, DIGITAL EQUIPMENT CORPORATION.

REVISIONS
CHK CHANGE NO. REV

digital	DRN.	DATE	ENG.	DATE	TITLE
	CHK'D.	11-40-83			POST AMP/DATA SEPARATOR
IDEAL: (SCHNEIDER)P02.DRW		11-AUG-83 09:12		NEXT HIGHER ASSEMBLY	
FIRST USED ON OPTION/MODEL: RA60		B-DD-5415264-0		SIZE CODE	NUMBER
				K CS	5415264-0-1
					REV. E



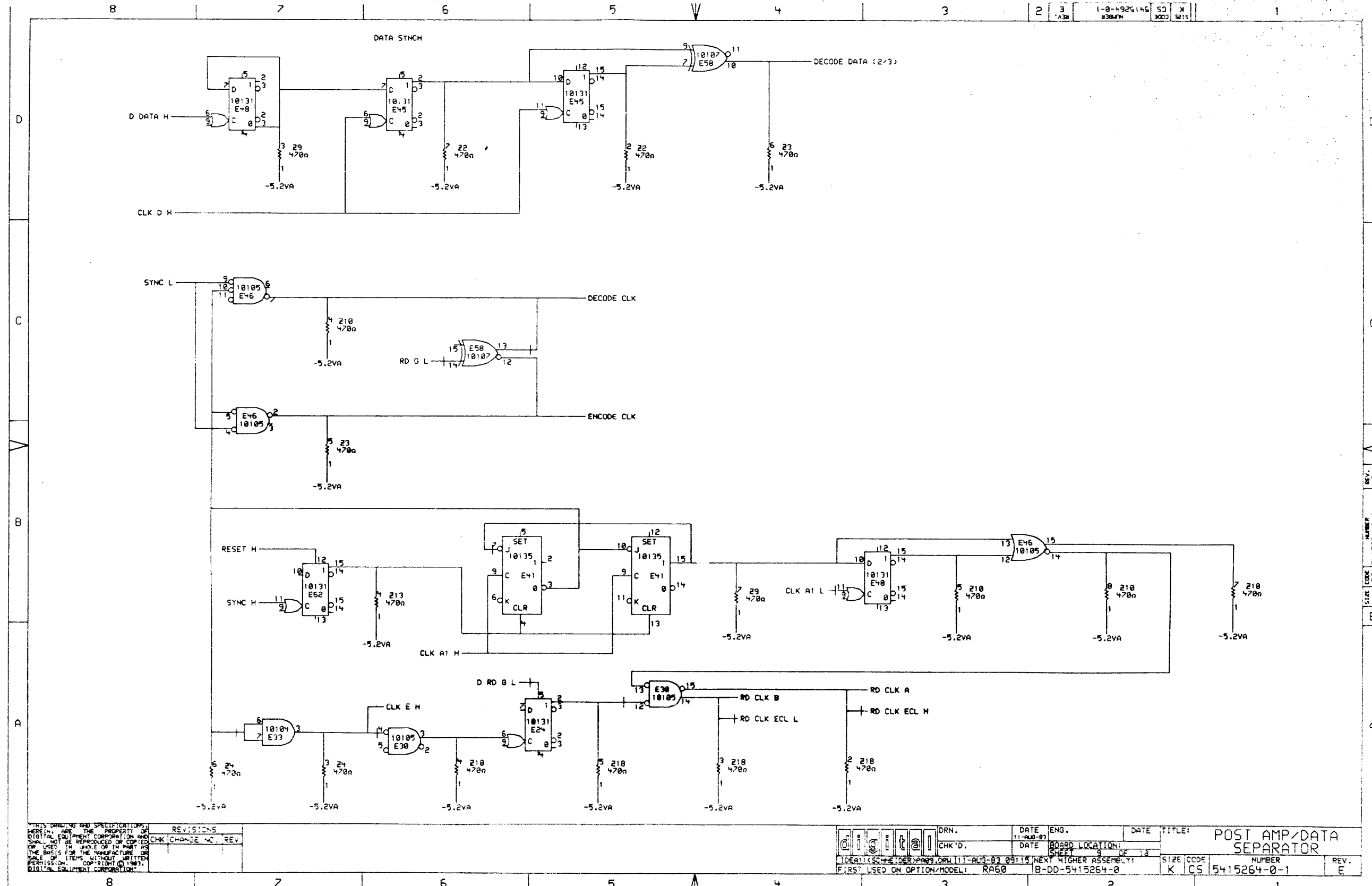
THIS DRAWING AND SPECIFICATIONS ARE THE PROPERTY OF DIGITAL EQUIPMENT CORPORATION AND SHALL NOT BE REPRODUCED OR COPIED OR USED IN WHOLE OR IN PART AS THE BASIS FOR THE MANUFACTURE OR SALE OF ITEMS WITHOUT WRITTEN PERMISSION. COPYRIGHT © 1981, DIGITAL EQUIPMENT CORPORATION.

REVISIONS	
CHK	CHANGE NO. REV

digital	DRN.	DATE	ENG.	DATE	TITLE:
	CHK'D.	DATE	BOARD LOCATION:	CHEF	DE
IDEA11: SCHNEIDER: P508: DRAW 111-AUG-83 09:13		NEXT HIGHER ASSEMBLY:		SIZE	CODE
FIRST USED ON OPTION/MODEL: RA60		B-DD-5415264-0		K CS	NUMBER
					REV. E

POST AMP/DATA SEPARATOR

5415264-0-1

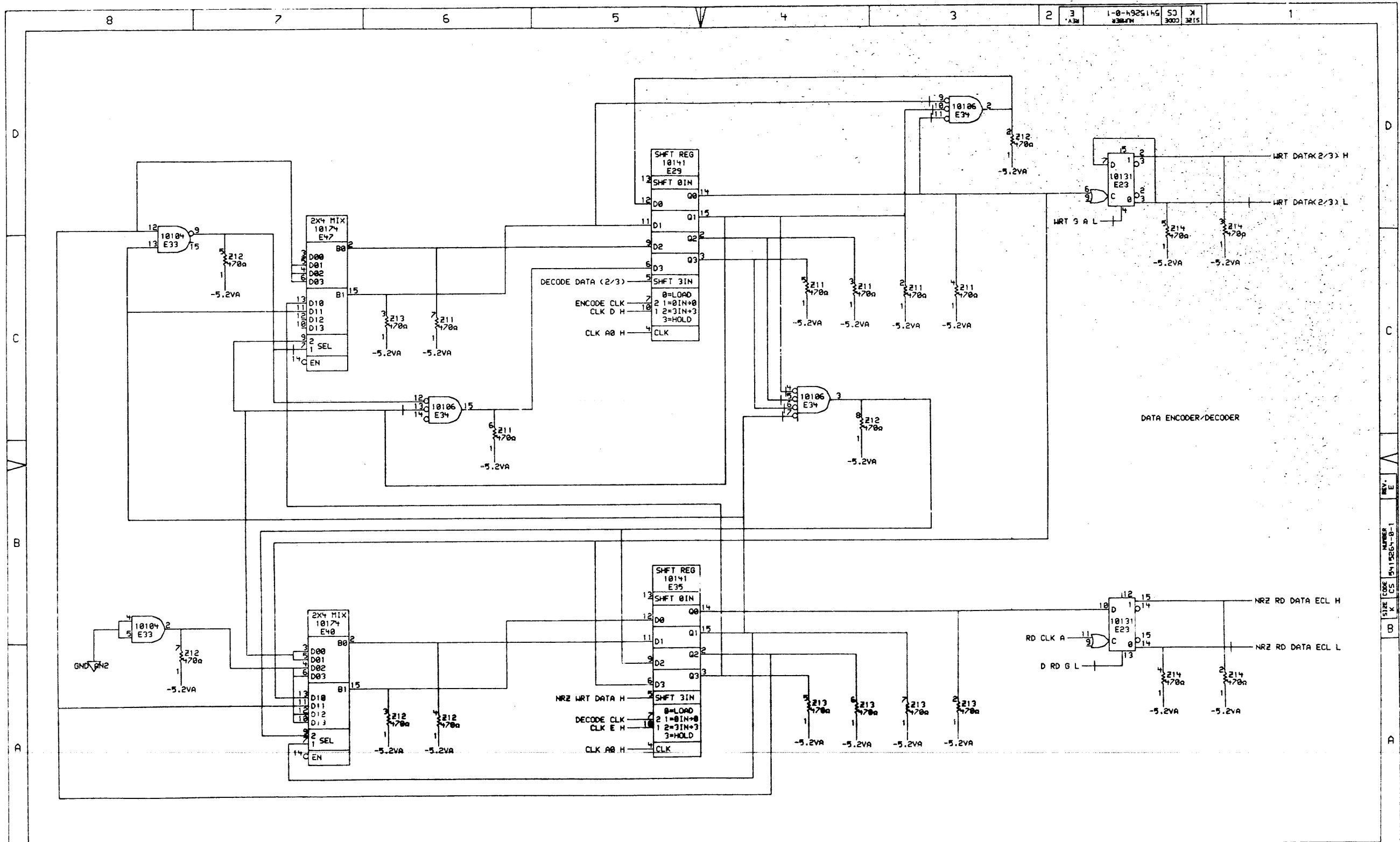


THIS DRAWING AND SPECIFICATIONS ARE THE PROPERTY OF DIGITAL EQUIPMENT CORPORATION AND SHALL NOT BE REPRODUCED OR COPIED IN ANY MANNER OR IN PART OR FOR ANY PURPOSE WITHOUT WRITTEN PERMISSION OF DIGITAL EQUIPMENT CORPORATION.

REV.	DATE	DESCRIPTION
1		INITIAL

CHK	CHANGE	NO.	REV.

DRN.	DATE	ENG.	DATE	TITLE
CHK'D.	11-AUG-83			POST AMP/DATA SEPARATOR
BOARD LOCATION:				NUMBER
SHEET 9 OF 13				5415264-0-1
NEXT HIGHER ASSEMBLY:				REV.
FIRST USED ON OPTION/MODEL: R460				E
MODEL: 18-DD-5415264-0				



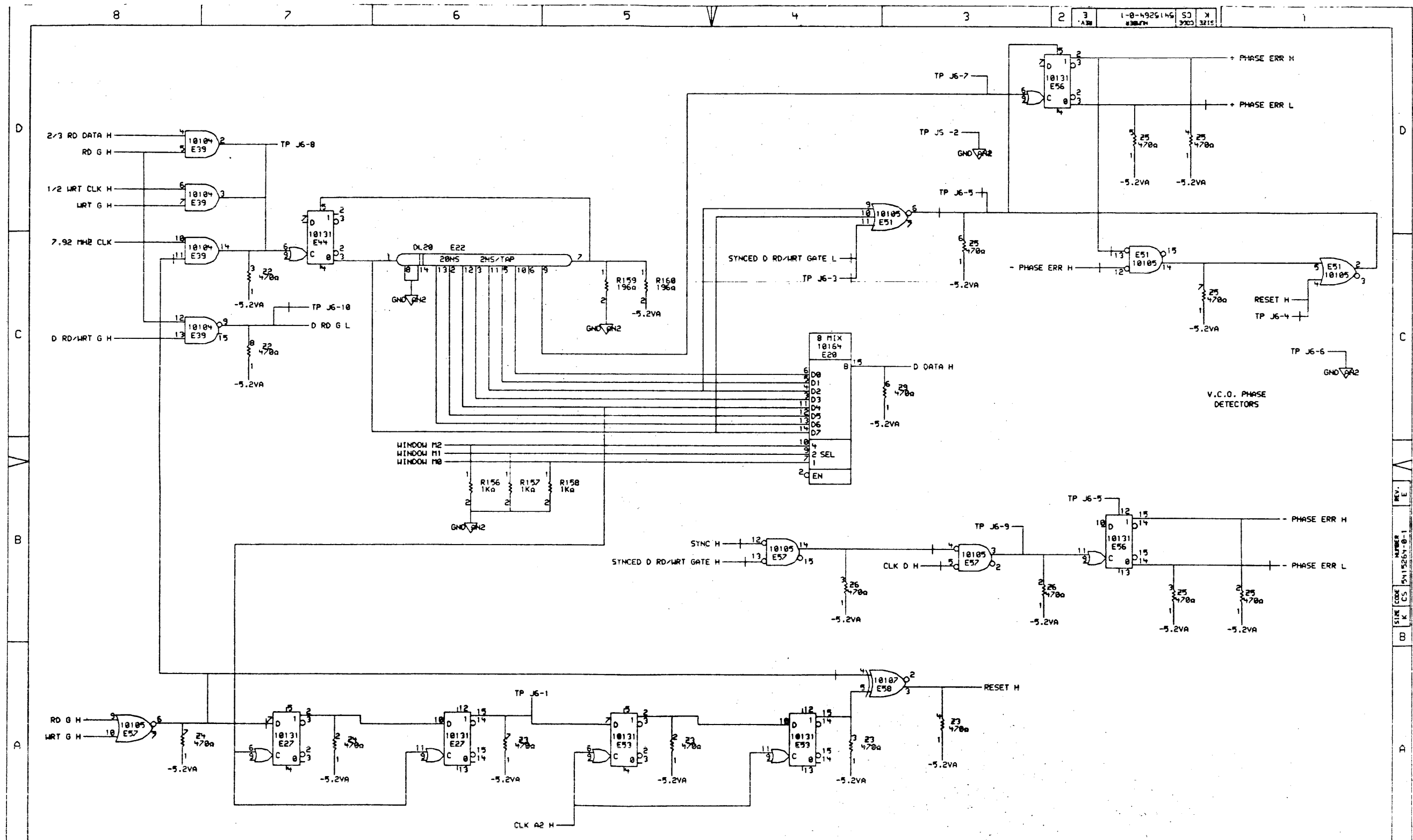
THIS DRAWING AND SPECIFICATIONS ARE THE PROPERTY OF DIGITAL EQUIPMENT CORPORATION AND SHALL NOT BE REPRODUCED OR COPIED OR USED IN WHOLE OR IN PART AS THE BASIS FOR THE MANUFACTURE OR SALE OF ITEMS WITHOUT WRITTEN PERMISSION. COPYRIGHT © 1981, DIGITAL EQUIPMENT CORPORATION.

REVISIONS	
CHK	CHANGE NO. REV.

digital	DRN.	DATE	ENG.	DATE	TITLE:
	CHK'D.	DATE	BOARD LOCATION:	SHEET	OF 18
IDEAL: <SCHNEIDER> P18.DRW (11-AUG-81) 09:16 NEXT HIGHER ASSEMBLY:					SIZE CODE
FIRST USED ON OPTION/MODEL: RAG0					B-DD-5415264-0
NUMBER					REV.
K CS 5415264-0-1					E

REV. E  
 SIZE CODE K CS 5415264-0-1  
 CD



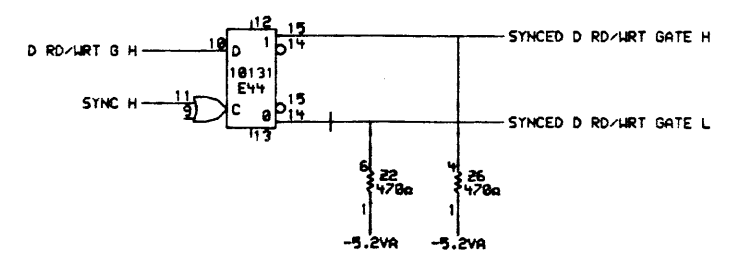
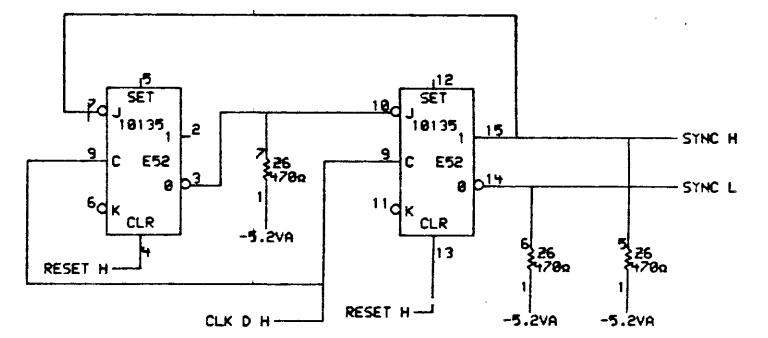
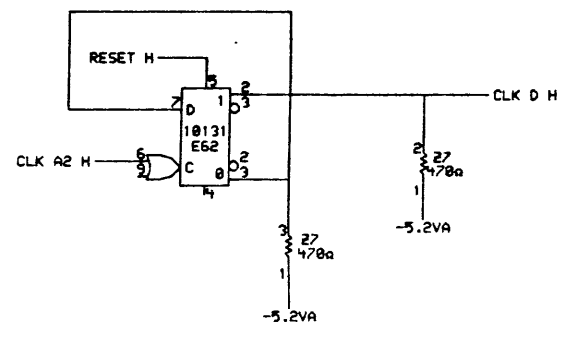


ALL DIMENSIONS AND SPECIFICATIONS UNLESS OTHERWISE SPECIFIED ARE THE PROPERTY OF DIGITAL EQUIPMENT CORPORATION AND SHALL NOT BE REPRODUCED OR COPIED OR USED IN WHOLE OR IN PART AS THE BASIS FOR THE MANUFACTURE OR SALE OF ITEMS WITHOUT WRITTEN PERMISSION. COPYRIGHT © 1971, DIGITAL EQUIPMENT CORPORATION.

REVISIONS	
CHK	CHANGE NO. REV

	DRN.	DATE	ENG.	DATE	TITLE:
	CHK'D.	11-AUG-83			POST AMP/DATA SEPARATOR
IDENT: (SCHNEIDER) PA11 DRW 11-AUG-83 03118 NEXT HIGHER ASSEMBLY:		BOARD LOCATION:		SIZE CODE	NUMBER
FIRST USED ON OPTION/MODEL: RA50		13-DD-5415254-2		K CS	5415254-0-1
					REV. E

REV. E  
 NUMBER 5415254-0-1  
 CS  
 CS  
 CS  
 CS

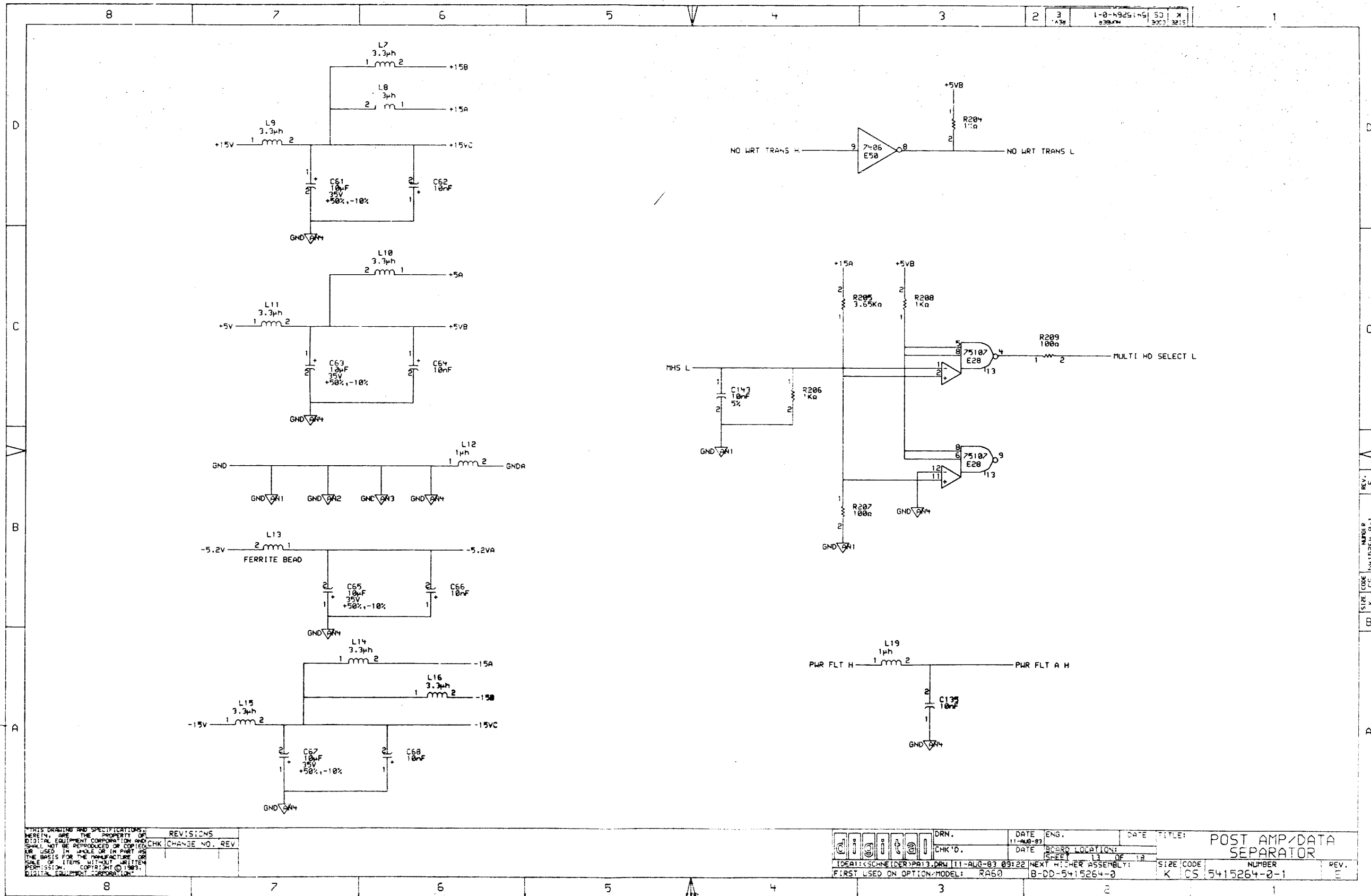


THIS DRAWING AND SPECIFICATIONS  
 ARE THE PROPERTY OF  
 DIGITAL EQUIPMENT CORPORATION  
 AND ARE NOT TO BE REPRODUCED OR  
 TRANSMITTED IN ANY FORM OR BY  
 ANY MEANS, ELECTRONIC OR MECHANICAL,  
 INCLUDING PHOTOCOPYING, RECORDING,  
 OR BY ANY INFORMATION STORAGE  
 RETRIEVAL SYSTEM, WITHOUT WRITTEN  
 PERMISSION OF DIGITAL EQUIPMENT CORPORATION.

REVISIONS	
CHK	CHANGE NO. REV

<b>digital</b>	DRN.	DATE	ENG.	DATE	TITLE
	CHK'D.	DATE			POST AMP/DATA SEPARATOR
FIRST USED ON OPTION MODEL: RA60		NEXT HIGHER ASSEMBLY: B-DD-5415264-0		SIZE CODE	NUMBER
				K CS	5415264-0-1
					REV. E

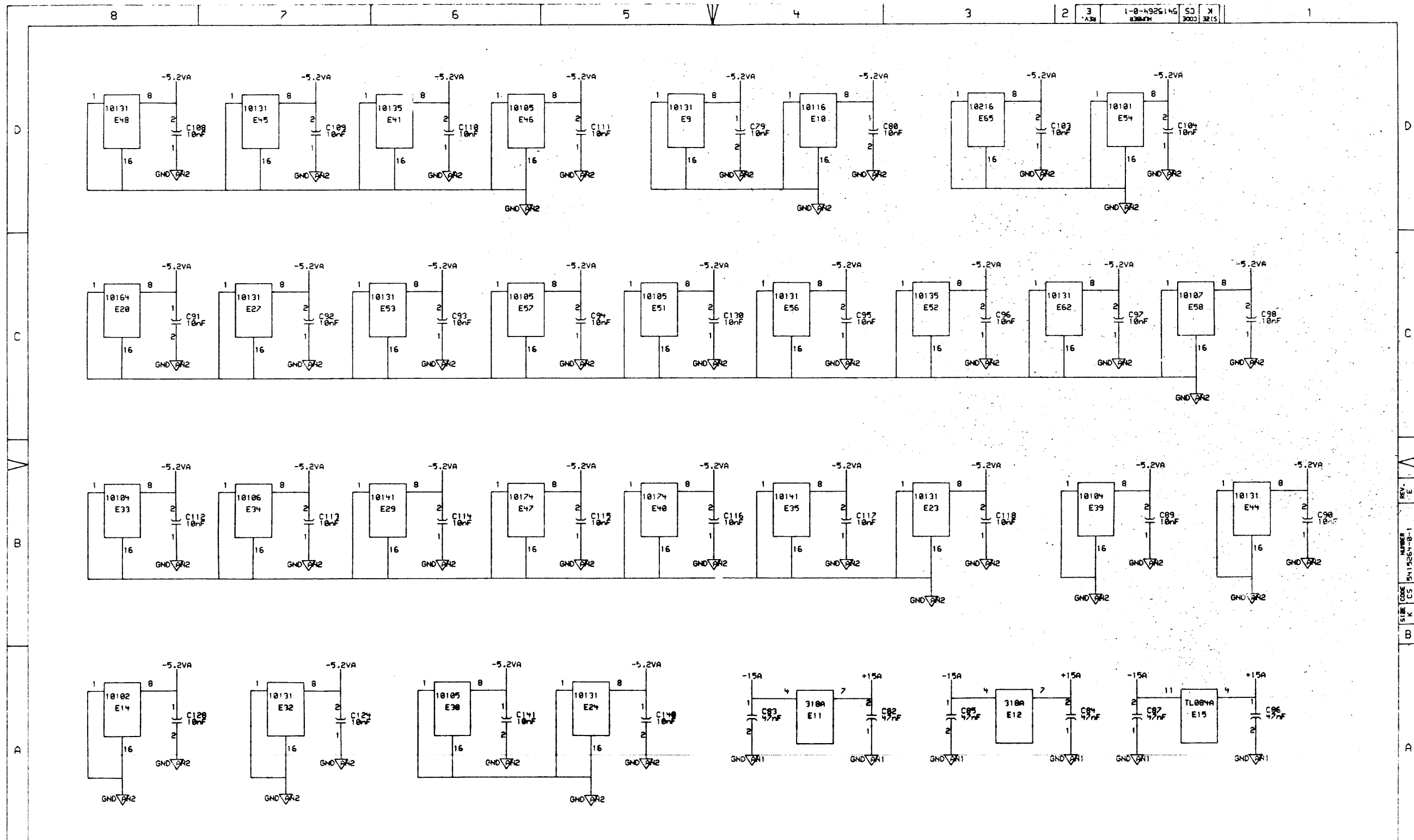
REV. E  
 NUMBER 5415264-0-1  
 CS K CS  
 B



THIS DRAWING AND SPECIFICATIONS HERENTIN ARE THE PROPERTY OF DIGITAL EQUIPMENT CORPORATION AND SHALL NOT BE REPRODUCED OR COPIED FOR USE IN WHOLE OR IN PART AS THE BASIS FOR THE MANUFACTURE OR SALE OF ITEMS UNLESS WRITTEN PERMISSION IS GRANTED BY DIGITAL EQUIPMENT CORPORATION.

REVISIONS	
CHK	CHANGE NO. REV.

DRN.	DATE	ENG.	DATE	TITLE:
CHK'D.	11-AUG-83			POST AMP/DATA SEPARATOR
IDEAL: SCHEIDER/P013.DRW 11-AUG-83 09:22	DATE	BOARD LOCATION:	SHEET	OF
FIRST USED ON OPTION MODEL: RA60	B-DD-5415264-0		12	12
		SIZE CODE	NUMBER	REV.
		K CS	5415264-0-1	E

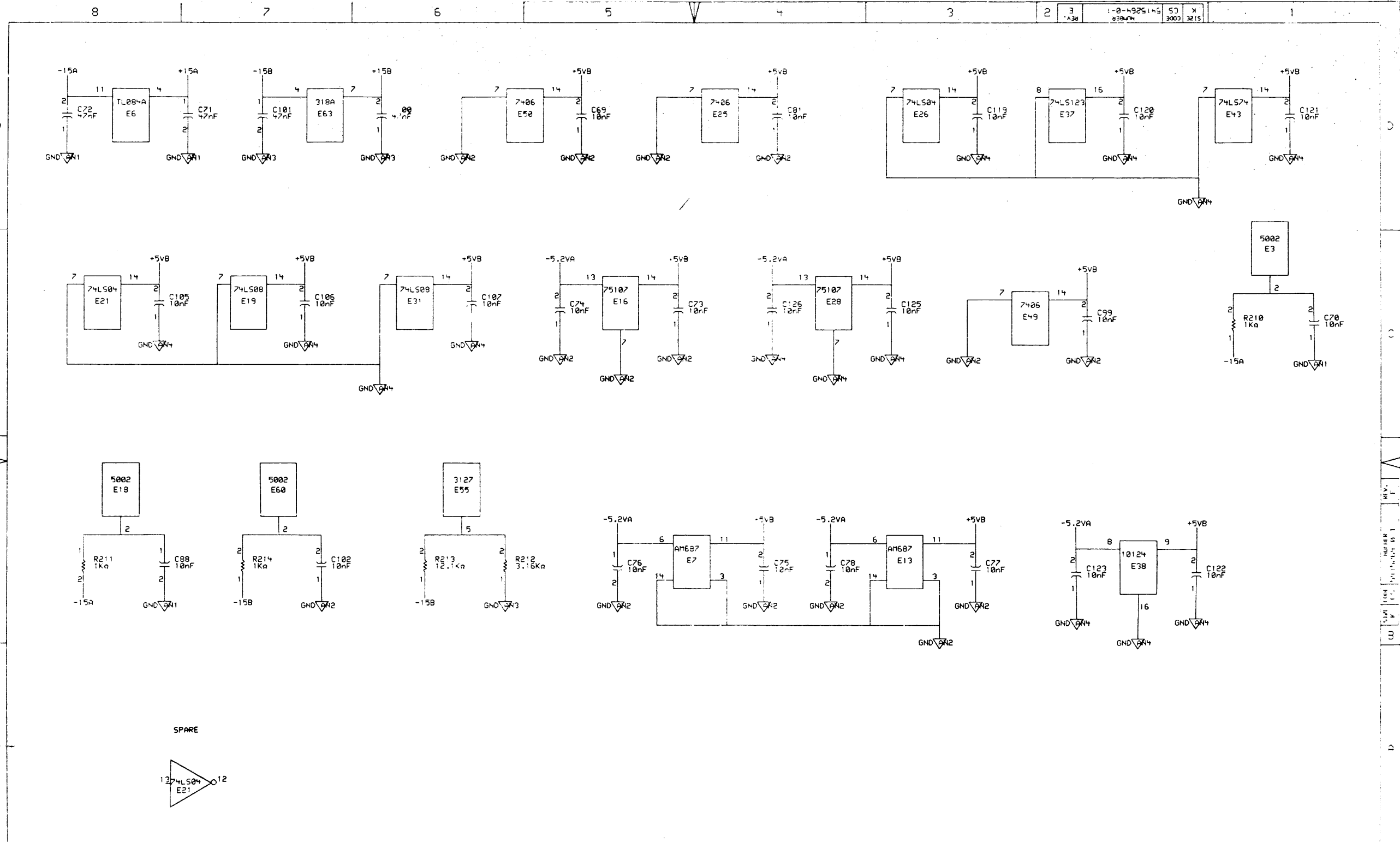


ALL DRAWING AND SPECIFICATIONS ARE THE PROPERTY OF DIGITAL EQUIPMENT CORPORATION AND SHALL NOT BE REPRODUCED OR COPIED IN WHOLE OR IN PART AS THE BASIS FOR THE MANUFACTURE OR SALE OF ANY ITEM WITHOUT WRITTEN PERMISSION. COPYRIGHT © 1981 DIGITAL EQUIPMENT CORPORATION

REVISIONS	
CHK	CHANGE NO. REV

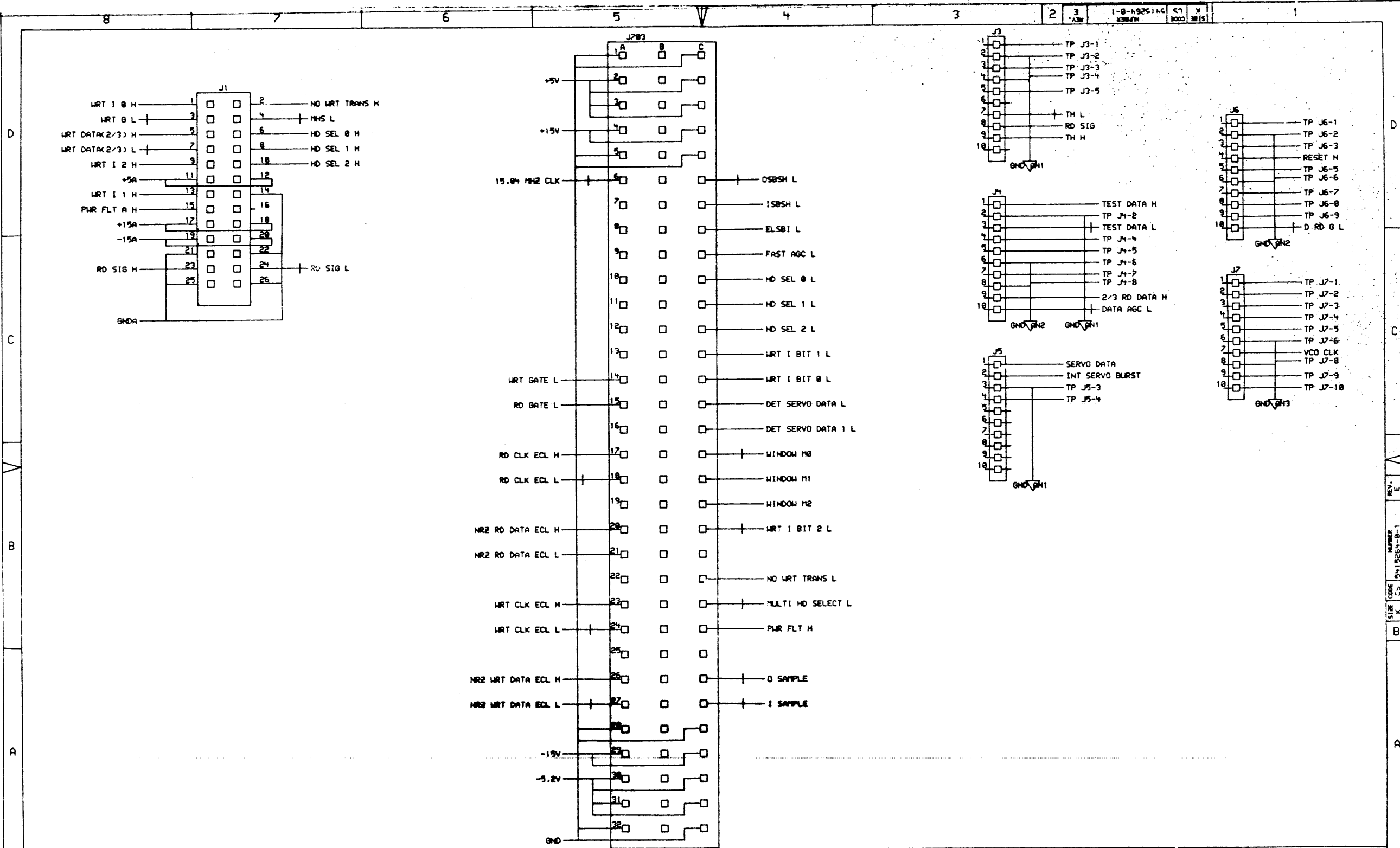
	DRN.	DATE	ENG.	DATE	TITLE:	
	CHK'D.	DATE	BOARD LOCATION:	SHEET	POST AMP/DATA SEPARATOR	
IDEAL: (SCHNEIDER) PA14, DRAW 11-AUG-83 09:23 FIRST USED ON OPTION/MODEL: RA60		NEXT PATCHER ASSEMBLY: B-DD-5415264-0		SIZE CODE K CS	NUMBER 5415264-0-1	REV. E

REV. 1  
 CS 5415264-0-1



REVISIONS CHK CHANGE NO. REV		DATE ENG. 11-20-83 DATE BOARD LOCATION: SHEET 15 OF 18		TITLE: POST AMP/DATA SEPARATOR	
FIRST USED ON OPTION/MODEL: RA60		NEXT HIGHER ASSEMBLY: B-DD-5415264-0		SIZE CODE K CS	NUMBER 5415264-0-1
				REV. E	

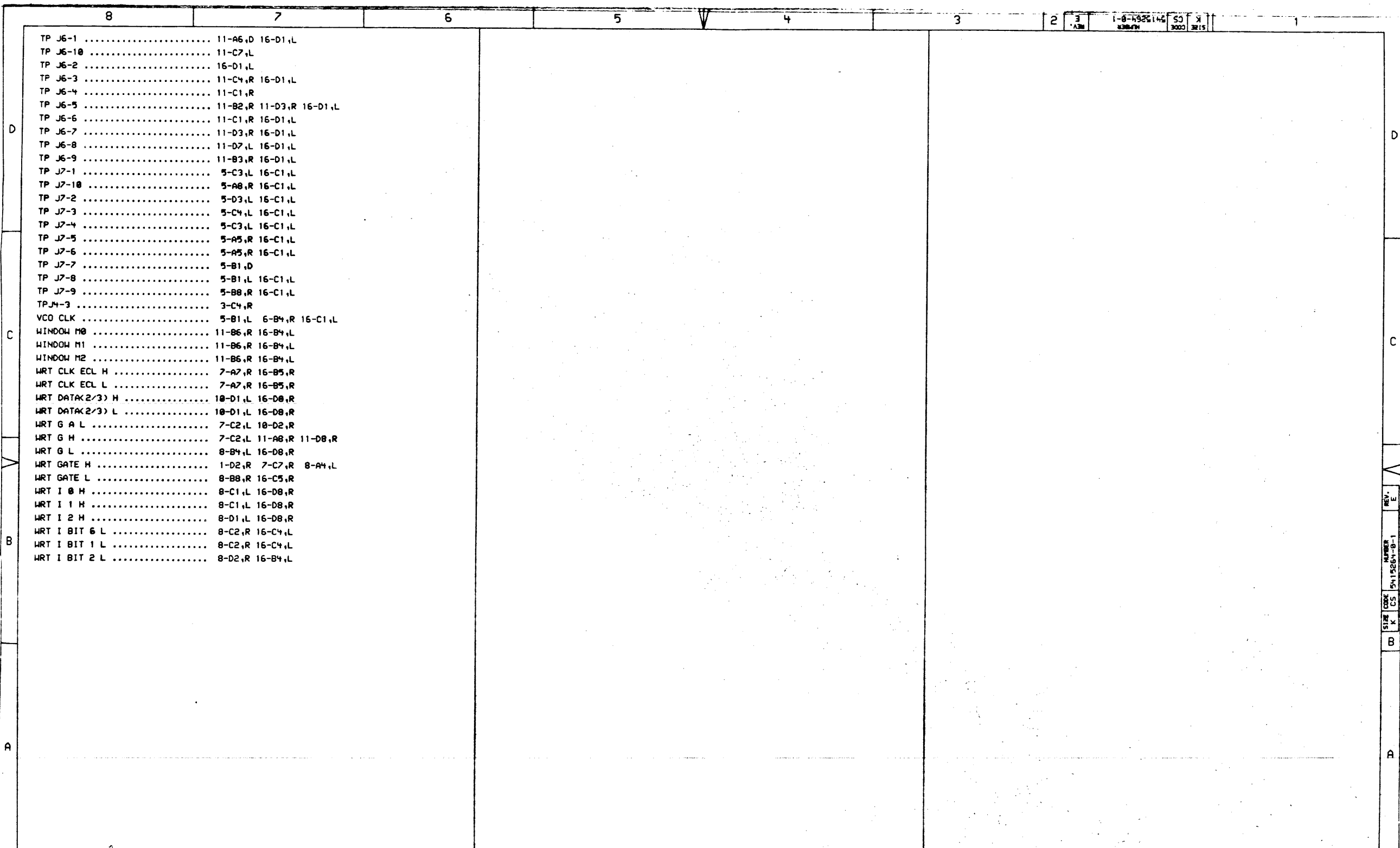
HEREIN IS THE PROPERTY OF  
 DIGITAL EQUIPMENT CORPORATION  
 AND IS LOANED TO YOUR COMPANY.  
 IT IS TO BE USED ONLY FOR THE  
 PURPOSES AND PERIOD OF TIME  
 SPECIFIED BY THE ISSUING  
 OFFICE. IT IS TO BE RETURNED  
 TO THE ISSUING OFFICE AT THE  
 END OF THE LOAN PERIOD.  
 NO PART OF THIS DOCUMENT IS  
 TO BE REPRODUCED OR  
 TRANSMITTED IN ANY FORM OR  
 BY ANY MEANS, ELECTRONIC  
 OR MECHANICAL, INCLUDING  
 PHOTOCOPYING, RECORDING, OR  
 BY ANY INFORMATION STORAGE  
 AND RETRIEVAL SYSTEM, WITHOUT  
 PERMISSION IN WRITING FROM  
 DIGITAL EQUIPMENT CORPORATION.



REVISIONS	
CHK	CHANGE NO., REV

	DRN.	DATE	ENG.	DATE	TITLE:
	CHK'D.	DATE	BOARD LOCATION:		POST AMP/DATA SEPARATOR
IDEAL (SCHNEIDER) 216 DRN 111-AUG-83 09125 NEXT HIGHER ASSEMBLY:					SIZE CODE NUMBER REV.
FIRST USED ON OPTION/MODEL: RA60					K CS 5415264-0-1 E

8		7		6		5		4		3		2		1	
Vertical location (A-D)		Direction of line (Left, Right, Up, Down)		or electrical (Input, Output, Both)		or backplane pin (Pin)									
KEY:		SS-VH,D													
Schematic Sheet		Horizontal location (1-8)													
+ PHASE ERR H		5-D8,R 11-D1,L													
+ PHASE ERR L		5-C8,R 11-D1,L													
+15A		1-A7,D 1-B1,D 1-B2,D 1-B3,D 1-C5,D 1-D2,D													
		1-D4,D 1-D8,D 2-D7,D 3-D7,D 3-D7,D 3-D7,D 4-B2,D													
		4-B4,D 4-C4,D 4-C6,D 4-D7,D 6-B8,D 6-D8,D 13-C4,D 13-D6,L													
		14-A1,D 14-A2,D 14-A4,D 15-D7,D 15-D8,R													
+15B		5-B5,D 5-B5,D 5-B7,D 5-D4,D 5-D7,D 13-D6,L													
		15-D6,D													
+15V		13-D7,R 16-D5,R													
+15VC		13-D6,L													
+5.1V		1-A1,L 3-B7,D													
+5A		1-B7,D 4-D1,D 4-D5,D 13-C6,L 16-D8,R													
+5V		13-C7,R 16-D5,R													
+5VB		3-B7,D 5-B6,D 7-D4,D 7-D6,D 8-B6,D 8-C4,L													
		8-C7,D 8-D7,D 13-C3,D 13-C6,L 13-D3,D 15-B2,D 15-B3,D 15-B4,D													
		15-C2,D 15-C3,D 15-C5,D 15-C6,D 15-C7,D 15-C8,D 15-D1,D 15-D2,D													
		15-D3,D 15-D4,D 15-D5,D													
+V		7-C5,D 7-D5,D 8-D7,L													
-15A		1-A1,D 1-A3,D 1-A6,D 1-A7,D 1-B6,D 1-B6,U													
		1-C1,D 1-C4,D 1-C6,D 1-C7,D 1-D3,D 2-B3,D 2-B6,D 3-B7,D													
		4-A2,D 4-A4,D 4-B6,D 4-C1,D 4-C5,D 4-C7,D 6-A7,D 6-C7,D													
		13-A6,L 14-A2,D 14-A3,D 14-A4,D 15-B8,D 15-C1,D 15-D8,D 16-D8,R													
-15B		5-A4,D 5-A5,D 5-A7,D 5-B7,D 5-C7,D 13-A6,L													
		15-B6,D 15-B7,D 15-D7,D													
-15V		13-A7,R 16-A5,R													
-15VC		13-A6,L													
-5.2V		13-B7,R 16-A5,R													
-5.2VA		3-A3,D 3-B1,D 3-C1,D 3-C1,D 3-C2,D 3-C2,D													
		3-C3,D 5-A3,D 6-A2,D 6-A2,D 6-B2,D 6-B3,D 6-C1,D 6-C2,D													
		7-A3,D 7-A4,D 7-A6,D 7-B3,D 7-B4,D 7-B4,D 7-B6,D 7-C3,D													
		7-C3,D 7-C4,D 7-C4,D 7-C4,D 9-A1,D 9-A2,D 9-A3,D 9-A4,D													
		9-A4,D 9-A4,D 9-A5,D 9-A6,D 9-A6,D 9-A7,D 9-A7,D 9-B7,D													
		9-C7,D 9-D4,D 9-D5,D 9-D6,D 9-D7,D 10-A1,D 10-A2,D 10-A3,D													
		10-A3,D 10-A4,D 10-A4,D 10-A6,D 10-A6,D 10-A8,D 10-B4,U 10-B6,U													
		10-C1,D 10-C2,D 10-C3,D 10-C3,D 10-C4,D 10-C4,D 10-C6,D 10-C6,D													
		10-C7,D 10-D3,D 11-A3,D 11-A4,D 11-A5,D 11-A6,D 11-A7,D 11-A8,D													
		11-B1,D 11-B2,D 11-B3,D 11-B4,D 11-C2,D 11-C3,D 11-C3,D 11-C5,D													
		11-C7,D 11-C7,D 11-D2,D 11-D2,D 12-A4,D 12-A5,D 12-C2,D 12-C3,D													
		12-C3,D 12-C6,D 12-C6,D 13-B6,L 14-A5,D 14-A6,D 14-A7,D 14-A8,D													
		14-B1,D 14-B2,D 14-B3,D 14-B4,D 14-B5,D 14-B5,D 14-B6,D 14-B7,D													
		14-B8,D 14-C1,D 14-C2,D 14-C3,D 14-C4,D 14-C5,D 14-C5,D 14-C6,D													
		14-C7,D 14-C8,D 14-D2,D 14-D3,D 14-D4,D 14-D4,D 14-D5,D 14-D6,D													
		14-D7,D 14-D8,D 15-B2,D 15-B4,D 15-B5,D 15-C4,D 15-C5,D													
1/2 WRT CLK H		7-B2,L 11-D8,R													
15.84 MHZ CLK		7-C7,R 16-D5,R													
2/3 RD DATA H		3-C1,L 3-C4,R 11-D8,R 16-C2,L													
2/3 RD DATA L		3-B4,R 3-C1,L													
7.92 MHZ CLK		7-C2,L 11-C8,R													
CLK A0 H		6-B3,L 10-A5,R 10-C5,R													
CLK A1 H		6-C1,L 9-A6,R													
CLK A1 L		6-C1,L 9-B4,R													
CLK A2 H		6-B1,L 11-A5,R 12-C7,R													
CLK A3 H		6-B1,L													
CLK D H		9-D8,R 10-C5,R 11-B3,R 12-C3,R 12-C6,L													
CLK E H		9-A6,L 10-A5,R													
D DATA H		9-D8,R 11-C3,L													
D RD G L		9-A6,R 10-A2,R 11-C7,L 16-D1,L													
D RD/WRT G H		7-D2,L 11-C8,R 12-B5,R													
DATA AGC H		1-B8,R 3-D6,L 4-D8,R													
DATA AGC L		1-A8,R 3-C6,L 4-C8,R 16-C2,L													
DECODE CLK		9-C5,L 10-A5,R													
DECODE DATA (2/3)		9-D4,L 10-C5,R													
DET SERVO DATA 1 L		3-A6,L 16-C4,L													
DET SERVO DATA L		3-A6,L 16-C4,L													
ELSB1 A L		4-A5,R 8-D4,L													
ELSB1 L		8-D8,R 16-D4,L													
ENCODE CLK		9-C5,L 10-C5,R													
FAST AGC A L		1-A4,R 8-C4,L													
FAST AGC L		8-C8,R 16-C4,L													
FAST LOCK H		5-A6,R 7-C2,L													
G SERVO DATA		3-A8,R 4-C4,L													
GND		13-B7,R 16-A5,R													
GND AN1		1-A2,D 1-A5,D 1-A5,D 1-A6,D 1-A7,D													
		1-A8,D 1-B4,D 1-B6,D 1-B6,D 1-B7,D 1-C4,D 1-C5,D 1-C5,D													
		1-C5,D 1-C7,D 1-C8,D 1-D3,D 1-D4,D 2-A7,D 2-C3,D 2-C3,D													
		2-C4,D 2-C5,D 2-C6,D 3-A5,D 3-A5,D 3-A7,D 3-A7,D 3-A7,D													
		3-B8,D 3-C5,D 3-C6,D 3-C7,D 3-C7,D 3-C8,D 3-C8,D 3-D4,D													
		3-D5,D 3-D7,D 4-B4,D 4-B7,D 4-C4,D 4-C4,D 4-C5,D 4-C6,D													
		4-C7,D 4-C8,D 4-D1,D 4-D3,D 4-D5,D 4-D7,D 6-A5,D 6-B5,D													
		6-C5,D 13-B4,D 13-B4,U 13-B7,U 14-A1,D 14-A2,D 14-A2,D 14-A3,D													
		14-A4,D 14-A4,D 15-B8,D 15-C1,D 15-D7,D 15-D8,D 16-B3,D 16-C2,D													
		16-D3,D													
GND AN2		3-A3,D 3-A3,D 3-B3,D 3-B6,U 3-C2,L 3-C3,D													
		3-C4,D 10-A8,D 11-B6,D 11-C1,D 11-C5,D 11-C6,D 11-D3,D 13-B7,D													
		14-A5,D 14-A5,D 14-A6,D 14-A7,D 14-A7,D 14-A8,D 14-A8,D 14-B1,D													
		14-B1,D 14-B2,D 14-B2,D 14-B3,D 14-B3,D 14-B4,D 14-B5,D 14-B5,D													
		14-B6,D 14-B7,D 14-B8,D 14-C1,D 14-C2,D 14-C2,D 14-C3,D 14-C4,D													
		14-C5,D 14-C5,D 14-C6,D 14-C7,D 14-C8,D 14-D2,D 14-D2,D 14-D3,D													
		14-D4,D 14-D4,D 14-D4,D 14-D5,D 14-D6,D 14-D6,D 14-D7,D 14-D8,D													
		15-B3,D 15-B3,D 15-B4,D 15-B4,D 15-B5,D 15-B7,D 15-C2,D 15-C3,D													
		15-C5,D 15-C5,D 15-C5,D 15-D4,D 15-D5,D 15-D5,D 15-D6,D 16-C3,D													
		16-D1,D													
GND AN3		5-A3,D 5-A5,D 5-A7,D 5-A8,D 5-B1,D 5-B3,D													
		5-C1,D 5-C1,D 5-C4,D 5-C5,D 5-C6,D 5-C7,D 5-D1,D 5-D4,D													
		5-D4,D 5-D5,D 5-D5,D 5-D7,D 13-B6,U 15-B6,D 15-D6,D 15-D7,D													
		16-C1,D													
GND AN4		7-D6,L 8-B6,D 13-A3,D 13-A7,D 13-B3,D 13-B6,U													
		13-B7,D 13-C7,D 13-D7,D 15-B2,D 15-B2,D 15-B2,D 15-C3,D 15-C4,D													
		15-C4,D 15-C6,D 15-C7,D 15-C8,D 15-D1,D 15-D2,D 15-D2,D													
		15-D3,D													
GNDA		13-B6,L 16-C8,R													
HD SEL 0 H		8-B1,L 16-D7,L													
HD SEL 0 L		8-B2,R 16-C4,L													
HD SEL 1 H		8-B1,L 16-D7,L													
HD SEL 1 L		8-B2,R 16-C4,L													
HD SEL 2 H		8-A1,L 16-D7,L													
HD SEL 2 L		8-A2,R 16-C4,L													
I SAMPLE		6-C4,L 16-A4,L													
INT ENA H		4-A3,R 8-D4,L													
INT SERVO BURST		4-D1,L 6-C6,R 16-C2,L													
ISBSH A L		6-C8,R 8-D4,L													
ISBSH L		8-D8,R 16-D4,L													
MHS L		13-C5,R 16-D7,L													
MULTI HD SELECT L		13-C2,L 16-B4,L													
NO WRT TRANS H		13-D4,R 16-D7,L													
NO WRT TRANS L		13-D3,L 16-B4,L													
NRZ RD DATA ECL H		10-B1,L 16-B5,R													
NRZ RD DATA ECL L		10-A1,L 16-B5,R													
NRZ WRT DATA ECL H		7-B7,R 16-A5,R													
NRZ WRT DATA ECL L		7-A7,R 16-A5,R													
NRZ WRT DATA H		7-B2,L 10-A5,R													



TP J6-1	11-A6,D	16-D1,L
TP J6-10	11-C7,L	
TP J6-2	16-D1,L	
TP J6-3	11-C4,R	16-D1,L
TP J6-4	11-C1,R	
TP J6-5	11-B2,R	11-D3,R 16-D1,L
TP J6-6	11-C1,R	16-D1,L
TP J6-7	11-D3,R	16-D1,L
TP J6-8	11-D7,L	16-D1,L
TP J6-9	11-B3,R	16-D1,L
TP J7-1	5-C3,L	16-C1,L
TP J7-10	5-A8,R	16-C1,L
TP J7-2	5-D3,L	16-C1,L
TP J7-3	5-C4,L	16-C1,L
TP J7-4	5-C3,L	16-C1,L
TP J7-5	5-A5,R	16-C1,L
TP J7-6	5-A5,R	16-C1,L
TP J7-7	5-B1,D	
TP J7-8	5-B1,L	16-C1,L
TP J7-9	5-B8,R	16-C1,L
TP J4-3	3-C4,R	
VCO CLK	5-B1,L	6-B4,R 16-C1,L
WINDOW M0	11-B6,R	16-B4,L
WINDOW M1	11-B6,R	16-B4,L
WINDOW M2	11-B6,R	16-B4,L
WRT CLK ECL H	7-A7,R	16-B5,R
WRT CLK ECL L	7-A7,R	16-B5,R
WRT DATA(2/3) H	10-D1,L	16-D8,R
WRT DATA(2/3) L	10-D1,L	16-D8,R
WRT G A L	7-C2,L	10-D2,R
WRT G H	7-C2,L	11-A8,R 11-D8,R
WRT G L	8-B4,L	16-D8,R
WRT GATE H	1-D2,R	7-C7,R 8-A4,L
WRT GATE L	8-B8,R	16-C5,R
WRT I 0 H	8-C1,L	16-D8,R
WRT I 1 H	8-C1,L	16-D8,R
WRT I 2 H	8-D1,L	16-D8,R
WRT I BIT 6 L	8-C2,R	16-C4,L
WRT I BIT 1 L	8-C2,R	16-C4,L
WRT I BIT 2 L	8-D2,R	16-B4,L

THIS DRAWING AND SPECIFICATIONS ARE THE PROPERTY OF DIGITAL EQUIPMENT CORPORATION. IT IS TO BE USED IN WHOLE OR IN PART FOR THE DESIGN OF THE MANUFACTURE OF ANY EQUIPMENT OR FOR THE REPRODUCTION OF THIS DRAWING OR SPECIFICATIONS WITHOUT THE WRITTEN PERMISSION OF DIGITAL EQUIPMENT CORPORATION.

REVISIONS	
CHK	CHANGE NO. REV

<b>digital</b>	DRN.	DATE	ENG.	DATE	TITLE
	CHK'D.	DATE	BOSS	LOCATION	POST AMP/DATA SEPARATOR
DESCRIPTION: 111-AUG-82 11118	NEXT HIGHER ASSEMBLY:	SIZE	CODE	NUMBER	REV.
FIRST USED ON OPTION/MODEL: RA60	B-D0-5415264-0	K	CS	5415264-0-1	E

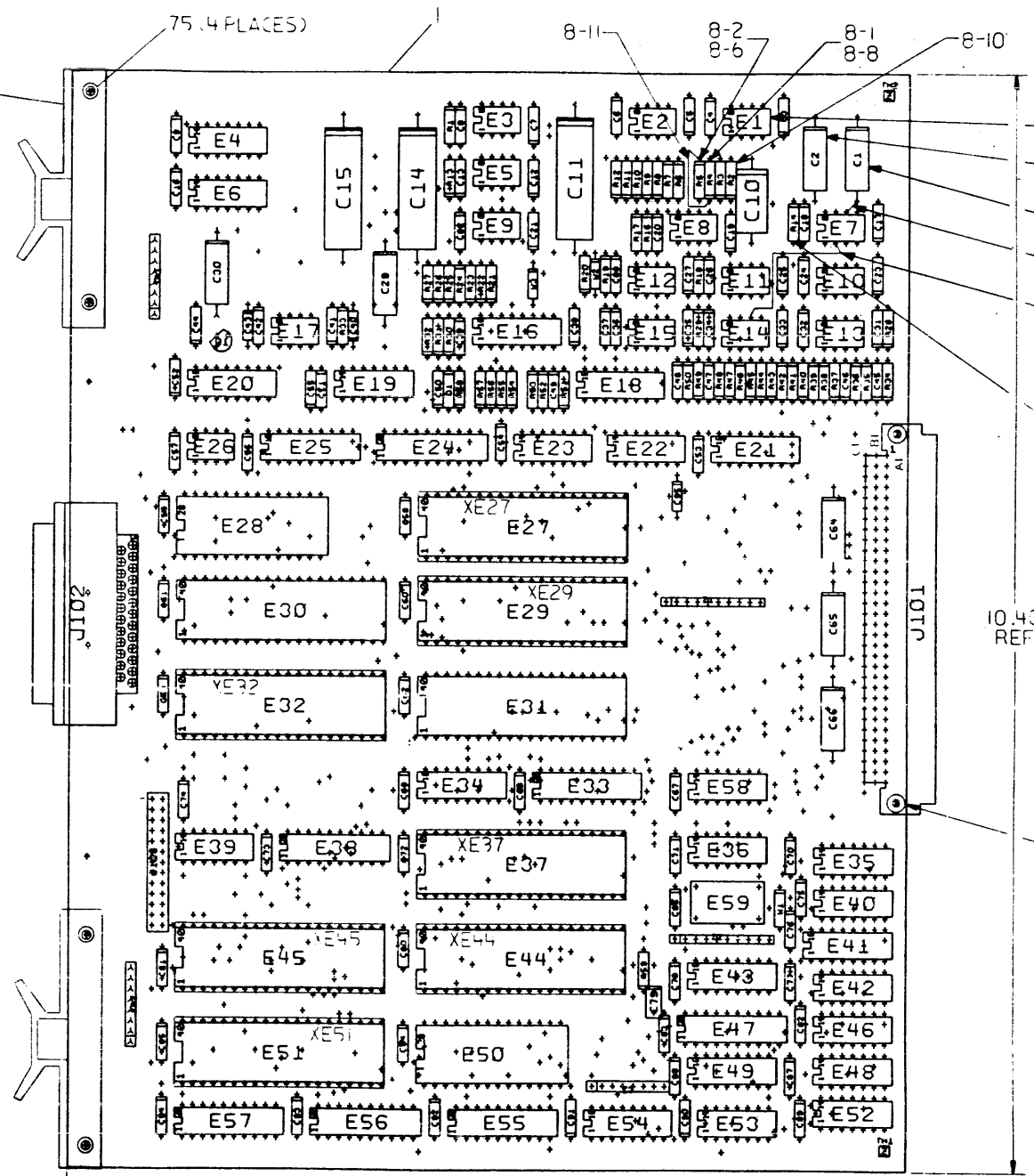
SIZE CODE NUMBER REV. E  
 K CS 5415264-0-1  
 B



THIS DRAWING AND SPECIFICATIONS HEREIN ARE THE PROPERTY OF DIGITAL EQUIPMENT CORPORATION AND SHALL NOT BE REPRODUCED OR COPIED OR USED IN WHOLE OR IN PART AS THE BASIS FOR THE MANUFACTURE OR SALE OF ITEMS WITHOUT WRITTEN PERMIT OF DIGITAL EQUIPMENT CORPORATION. COPYRIGHT ©1983

0-0-9925145 2

COMPONENT SIDE VIEW



8-7  
8-5  
8-4  
8-13  
8-12  
8-9

86 (2 PLACES)  
SEE NOTE 1

8.00  
REF

10.40  
REF

NOTES: 1. EYELET FLANGE MUST BE INSERTED FROM COMPONENT SIDE OF CONNECTOR.  
2. C40, C43, R28, E7 ARE UNUSED.

STEP E	+ Y AXIS	STEP L TIMES	2-1-83
REPRT	+ X AXIS	STEP L TIMES	

CHK	CHANGE NO	REV	H	J	K	L	Y
2175	5415266	0					
	5415266	1					
	5415266	2					

ETCH REV. CI-P1	

SIGNATURES		DATE
DRN. Eng. [Signature]		2/2/83
CHK D. [Signature]		
MECH. ENG. [Signature]		
PROJ. ENG. [Signature]		
PROD. [Signature]		
TITLE		RA60
DRIVE LOGIC		
SCALE: 1.5/1	SIZE/CODE	NUMBER
SHT 1 OF 2	0 UA	5415266-0-0 L
NEXT HIGHER ASSY. B-00-5415266-0		

1 MS# 290502C

DUA 5415266-0-0

1 of 1

8 7 6 5 4 3 2 1

0-0-9925145 07 C 3000 3215

ECO 5415266-CX008

COMPONENT DELETES: (SIDE 1)

- 8-1 DELETE R4 (1305324-00)
- 8-2 DELETE R5 (1305324-00)

COMPONENT ADDS: (SIDE 1)

- 8-4 ADD C1 (1023548-01)
- 8-5 ADD C2 (1023548-01)
- 8-6 ADD R5 (1303312-00)
- 8-7 ADD E1 (1910298-00)
- 8-8 ADD R4 (1318341-16)
- 8-9 ADD R14 (1316443-00)
- 8-10 ADD R2 (1310631-00)

WIRE ADDS: (SIDE 1)

- 8-11 ADD WIRE FROM LEFT SIDE OF R4 TO RIGHT SIDE OF R5
- 8-12 ADD WIRE FROM E7, PIN 2 TO E14, PIN 6
- 8-13 ADD WIRE FROM E7, PIN 6 TO LEFT SIDE OF C1

PART MARKING

- 8-14 AFTER ALL REWORK HAS BEEN COMPLETED MARK MODULE PART REV K1

D  
C  
B  
A

REV. L  
MARKED  
5415266-0-0  
D  
D

DUA 5415266-0-0 282

THIS DRAWING AND SPECIFICATIONS  
HEREIN ARE THE PROPERTY OF  
DIGITAL EQUIPMENT CORPORATION AND  
SHALL NOT BE REPRODUCED OR COPIED  
OR USED IN WHOLE OR IN PART AS  
THE BASIS FOR THE MANUFACTURE  
OR SALE OF ITEMS WITHOUT WRITTEN  
PERMISSION. COPYRIGHT © 1984  
DIGITAL EQUIPMENT CORPORATION

REVISIONS	
CHK	CHANGE NO. REV.

digital	DRN.	DATE	ENG.	DATE	TITLE: RA60 DRIVE LOGIC
	CHK'D.	DATE	BOARD LOCATION:	SHEET 2 OF 2	
DSK: 15266.T2P(4.24) 126-JUL-84 11:15:15		NEXT HIGHER ASSEMBLY:		SIZE CODE	NUMBER
FIRST USED ON OPTION/MODEL: RA60		B-DD-5415266-0		D UA	5415266-0-0

8 7 6 5 4 3 2 1

LINE ITEM	TOP DOCUMENT	PART NUMBER	MIN REV	DESCRIPTION	QTY PER VARIATION		REFERENCE DESIGNATOR
					01 L1	02 L1	
1	1	B-DD-5015265-0		5015265-01 C DRILL AND ETCH BRD	1	1	
2	2			1000037-00 .22 MFD 100V 10% MYLR	3	3	C11,C14,C15
3	3			1001610-00 .01 MFD 50V +80-20% Z5U CER	41	41	C9,C16,C51-C54,C57-C63,C67-C78, CONT C80-C94,C95
4	4			1023859-01 .056 MFD 50V 2% M.POLYCARB	2	2	C1,C2
5	5			1005507-00 1 MFD 100V +50-10% AL EL	1	1	C30
6	6			1010031-04 .33 MFD 50V 10% M.POLYCARB	1	1	C10
7	7			1010274-02 1 MFD 50V +80-20% CER	1	1	C79
8	8			1012784-00 CR .047 MFD 50V +80-20% CER	36	36	C3-C8,C12,C13,C17-C28,C31-C39, CONT C41,C42,C48-C50,C55,C56
9	9			1013466-06 100.0 MMF 50V 5% CER	3	3	C45-C47
10	10			1013466-22 .1 MFD 50V +80-20% Z5U CER	1	1	C44
11	11			1017472-00 10 MFD 35V +75-10% AL EL	4	4	C29,C64-C66
12	12			1105871-00 VZ= 5.15 1% 250 MW	1	1	D1
13	13			1216598-00 PCB,HEADER 08PIN(1X08),100CC STR	2	2	TP1,TP2
14	14			1212965-03 *** THIS ITEM IS NOT USED ***	-	-	
15	15			9008337-08 HANDLE, FLIP CHIP GRAY #937	2	2	
16	16			1215006-08 SKT,IC 40PIN DIP TIN SOLD	7	7	CONT XE27,XE29,XE32,XE37,XE44,XE45, XE51
17	17			1219047-01 CONN .100 96SKT	1	1	J101
18	18			1214460-00 CONN,D SUB 25PIN ASSY RT ANGLE P	1	1	J102
19	19			1300439-00 3.30 K .25 W 5.0 % CF	1	1	R3
20	20			1300365-00 1.0 K .25 W 5.0 % CF	1	1	R30
21	21			1300417-00 2.20 K .25 W 5.0 % CF	1	1	R16
22	22			1301422-00 7.50 K .25 W 5.0 % CF	1	1	R13
23	23			1301775-00 820.0 .25 W 5.0 % CF	1	1	R31
24	24			1302389-00 4.30 K .25 W 5.0 % CF	1	1	R7
25	25			1302466-00 *** THIS ITEM IS NOT USED ***	-	-	
26	26			1303114-00 1.0 K .25 W 1.0 % RN55D-F10	5	5	R17,R26,R27,R38,R43
27	27			1303312-00 10.0 K .25 W 1.0 % RN55D-F10	18	18	R29,R32,R34-R37,R40-R42,R44,R46,

REVISION HISTORY		BASIC PART NO: 5415266		DRN:	SUE BOURBEAU	DATE:	12-JUL-82	D I G I T A L			
ENG	ECO NUMBER	REV	SECTION A OF A	CHK'D:	RON MICHAUD	DATE:	12-JUL-82	TITLE PARTS LIST			
---	INITIAL	A	SECTION.VARIATION INDEX	DES.ENG:	GARRY GRAY	DATE:	12-JUL-82	DOCUMENT NUMBER			
---	---	---	---	RESP.ENG.:	GARRY GRAY	DATE:	12-JUL-82	SIZE	CODE	NUMBER	REV
GG	5415266-CX002	B	[A] 01,02								
GG	5415266-CX003	C	[B]								
GG	5415266-CX004	D	[C]								
CT	5415266-CX005	E	[D]								
GG	5415266-CX006	F	[E]								
MK	5415266-CX007	H	[F]								
SM	5415266-CX008	J	[H]								
AM	5415266-CX009	K	[J]								
SM	5415266-CX010	L	[K]	MFG.ENG.:	JOHN PAPA	DATE:	12-JUL-82	RELEASE DATE: 28-MAR-85			
PR	5415266-CX011	M	[L]								
			[M]	ASSEMBLY NUMBER:		TOP DOCUMENT NUMBER:		FILE NAME:		EDIT #	
			[N]	D-UA-5415266-0-0		B-DD-5415266-0-0		Z2150M.PLS		10	

\*THIS DRAWING AND THE SPECIFICATIONS CONTAINED HEREIN ARE CONFIDENTIAL AND PROPRIETARY. THEY ARE THE PROPERTY OF DIGITAL EQUIPMENT CORPORATION AND SHALL NOT BE REPRODUCED OR COPIED OR USED IN WHOLE OR IN PART AS THE BASIS FOR THE MANUFACTURE OR SALE OF ITEMS WITHOUT WRITTEN PERMISSION. THIS IS AN UNPUBLISHED WORK PROTECTED UNDER THE FEDERAL COPYRIGHT LAWS.\*

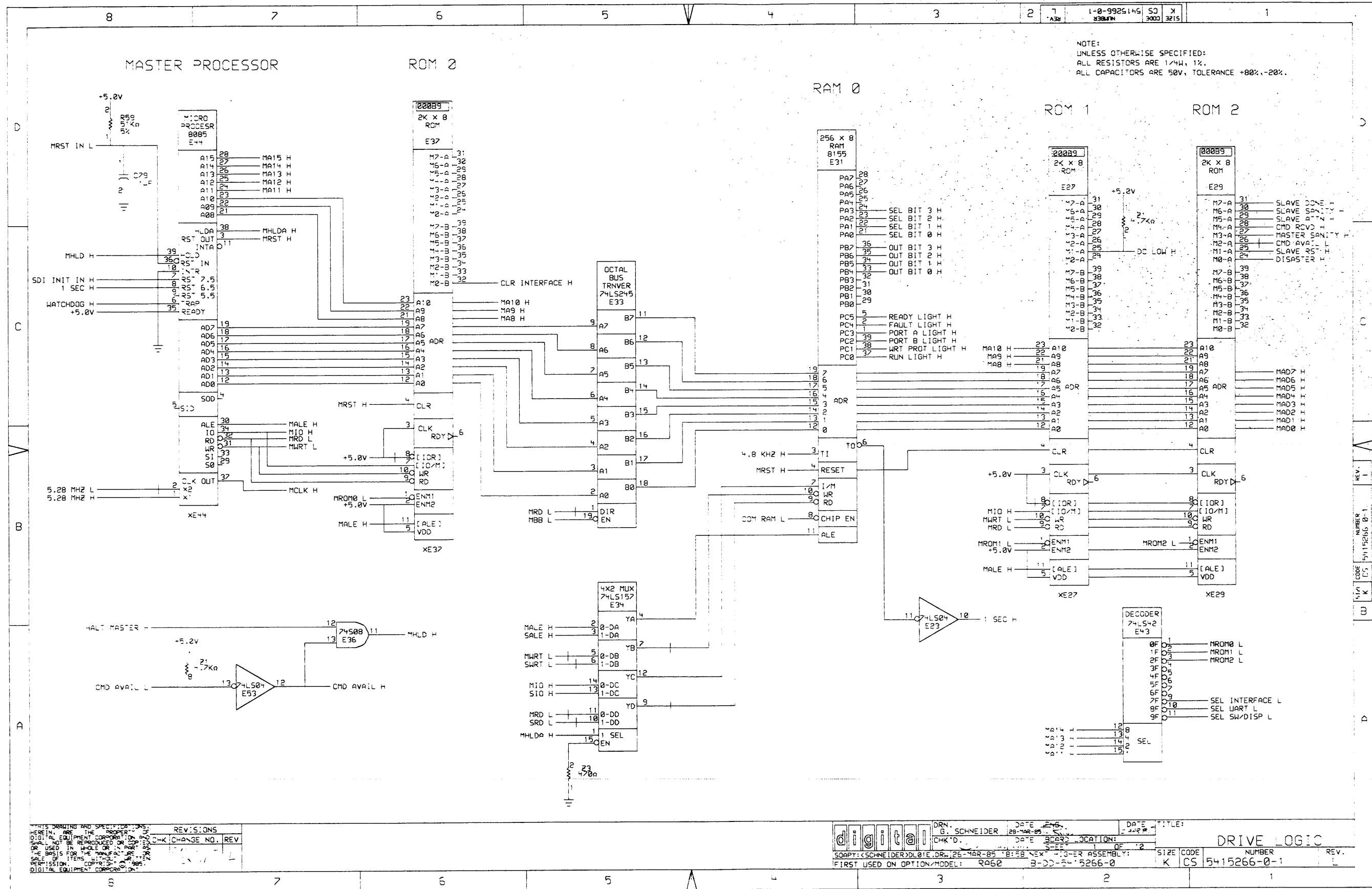
LINE	ITEM	TOP DOCUMENT	PART NUMBER	MIN REV	DESCRIPTION	QTY PER VARIATION		REFERENCE DESIGNATOR
						01	02	
					VARIATION REVISION LEVEL:	L1	L1	
								CONT R49,R50,R53-R55,R58,R5
28	28		1303313-00		12.10 K .25 W 1.0 % RN55D-F10	1	1	R12
29	29		1304839-00		51.0 K .25 W 5.0 % CF	1	1	R59
30	30		1304854-00		5.11 K .25 W 1.0 % RN55D-F10	2	2	R45,R10
31	31		1304855-00		*** THIS ITEM IS NOT USED ***	-	-	
32	32		1304856-00		4.64 K .25 W 1.0 % RN55D-F10	1	1	R52
33	33		1304866-00		2.0 K .25 W 1.0 % RN55D-F10	1	1	R23
34	34		1305324-00		4.99 K .25 W 1.0 % RN55D-F10	1	1	R9
35	35		1305374-00		*** THIS ITEM IS NOT USED ***	-	-	
36	36		1309595-00		1.0 M .25 W 5.0 % CF	1	1	R6
37	37		1312626-00		2.49 K .25 W 1.0 % RN55D-F10	2	2	R24,R33
38	38		1312930-00		5.10 K .25 W 5.0 % CF	8	8	R19-R22,R39,R47,R56,R57
39	39		1313155-00		604.0 .25 W 1.0 % RN55D-F10	1	1	R11
40	40		1313592-00		4.87 K .25 W 1.0 % RN55D-F10	1	1	R51
41	41		1313599-00		36.50 K .25 W 1.0 % RN55D-F10	1	1	R1
42	42		1314988-00		6.65 K .25 W 1.0 % RN55D-F10	2	2	R8,R18
43	43		1314990-00		158.0 K .25 W 1.0 % RN55D-F10	2	2	R25,R48
44	44		1316254-00		R NETWORK 7-470 2.0 % 8PIN	1	1	Z3
45	45		1316254-01		R NETWORK 7-4.7K 2.0 % 8PIN	2	2	Z1,Z2
46	46		1811660-38		OSCILLATOR, XTAL 15.8400 MHZ	1	1	E59
47	47		1909929-00		7417 BUFFER GATE-HEX 1INP	1	1	E22
48	48		1910298-00		741 OP AMP GEN PURP. COM	9	9	E2-E3,E5,E10,E11,E13,E14,E17,E1
49	49		1910544-00		74S74 FF-D DUAL,EDGE TRIGG	1	1	E52
50	50		1912850-00		LS164 SHIFT REG. 8BIT SERI	2	2	E39,E58
51	51		1912389-00		74S08 AND GATE-QUAD 2IN,PO	1	1	E36
52	52		1912803-00		LS04 INVERTER GATE,HEX	4	4	E19,E23,E35,E53
53	53		1912816-00		LS32 OR GATE-QUAD 2IN,POS	2	2	E40,E46
54	54		1912819-00		LS42 DECODER,BCD-DECIMAL	1	1	E43
55	55		1912824-00		LS74 FF-D DUAL,EDGE TRIGG	2	2	E4,E48
56	56		1912847-00		LS157 MUX 1 OF 2(QUAD)	2	2	E34,E49
57	57		1912849-00		LS161 COUNTER,SYNCHR,4BIT	1	1	E54
58	58		1914451-00		LS393 COUNTER,BINARY,4BIT	1	1	E42
59	59		1915125-00		3691 DRIVER,QUAD,EIA RS-	1	1	E20
60	60		1915218-00		LS245 TRANSCEIVER,BUS,OCTA	2	2	E33,E38
61	61		1915234-00		LS390 COUNTER,DECADE,DUAL,	1	1	E41
62	62		1915416-00		9637 RECEIVER,DUAL,RS-42	1	1	E26
63	63		1919023-01		DAC,COMPANDING	1	1	E25
64	64		1919420-01		OP AMP,JFET INPUT	4	4	E8,E9,E12,E15
65	65		1919421-01		79L05 VOLT REG -5V	1	1	Q1
66	66		2113107-01		P 8251A PUSART COMM. INTERFA	1	1	E28
67	67		2114963-00		UP,8-BIT NMOS	2	2	E44,E51
68	68		2114964-00		RAM 2048 MOSJ-STATIC	2	2	E30,E31
69	69		2119304-01		0804 ADC,8-BIT DIFFERENTIA	1	1	E24
70	70		2119305-01		201 SWITCH,ANALOG,QUAD	2	2	E16,E18
71	71		23343A1-00		A1-04	1	1	E21
72	72		23049B9-00		B9-01,B9-02 ROM	1	-	E27
73	73		23081C6-00		C6-01	1	1	E50
74	74		23108K5-00		K5-01 PAL,LOGIC	1	1	E47

D	I	G	I	T	A	L	TITLE	SECTION A OF A	SIZE	CODE	DOCUMENT NUMBER	REV
							DRIVE LOGIC		K	PL	5415266-0-DBP	M

PARTS LIST

LINE ITEM	TOP DOCUMENT	PART NUMBER	MIN REV	DESCRIPTION	QTY PER		VARIATION	REFERENCE DESIGNATOR
					01	02		
				VARIATION REVISION LEVEL:				
				L1	L1			
75	75	9006732-00		EYELET,ROLLED 0.1210DX0.219	4	4		
76	76	9009185-00		JUMPER, WIRE, INSULATED, BLACK B	3	3		W1-W3
77	77	9105740-55		*** THIS ITEM IS NOT USED ***	-	-		
78	78	1912820-00		LS51 A-O-I GATE 2-WIDE 2I	1	1		E6
79	79	23050B9-00		B9-01,B9-02 ROM	1	-		E29
80	80	23096B9-00		B9-01,B9-02 ROM	1	-		E32
81	81	23048B9-00		B9-01,B9-02 ROM	1	-		E37
82	82	23097B9-00		B9-01,B9-02 ROM	1	-		E45
83	83	23022K5-00		K5-01	1	1		E55
84	84	23110K5-00		K5-01 PAL,LOGIC	1	1		E56
85	85	23023K5-00		K5-01	1	1		E57
86	86	9010489-01		RIVET SEMI-TURE OVAL .099DI	2	2		
87	87	1318341-16		243.0 .25 W 1.0 Z RN550-F10	1	1		R4
88	88	1316443-00		45.30 K .25 W 1.0 Z RN55D-F10	1	1		R14
89	89	1310631-00		2.21 K .25 W 1.0 Z RN55D-F10	1	1		R2
90	90	5417487-01		DRIVE LOGIC DAUGHTER BOARD	-	1		

D	I	G	I	T	A	L	TITLE	DRIVE LOGIC	SECTION A	OF A	SIZE	CODE	DOCUMENT NUMBER	REV
											K	PL	5415266-0-DBF	M



NOTE:  
UNLESS OTHERWISE SPECIFIED:  
ALL RESISTORS ARE 1/4W, 1%.  
ALL CAPACITORS ARE 50V, TOLERANCE +80%, -20%.

THIS DRAWING AND SPECIFICATIONS  
HEREIN ARE THE PROPERTY OF  
DIGITAL EQUIPMENT CORPORATION  
SHALL NOT BE REPRODUCED OR  
OR USED IN WHOLE OR IN PART  
ON THE BASIS OF THE MANUFACTURE  
OR SALE OF ITEMS HEREON WITHOUT  
PERMISSION. COPYRIGHT © 1985  
DIGITAL EQUIPMENT CORPORATION

REV. NO.	DESCRIPTION	DATE
1	INITIAL DESIGN	28-MAR-85
2	DESIGN CHANGE NO. 1	28-MAR-85

**digital** DRN. B. SCHNEIDER DATE 28-MAR-85 DATE 28-MAR-85 TITLE: DRIVE LOGIC

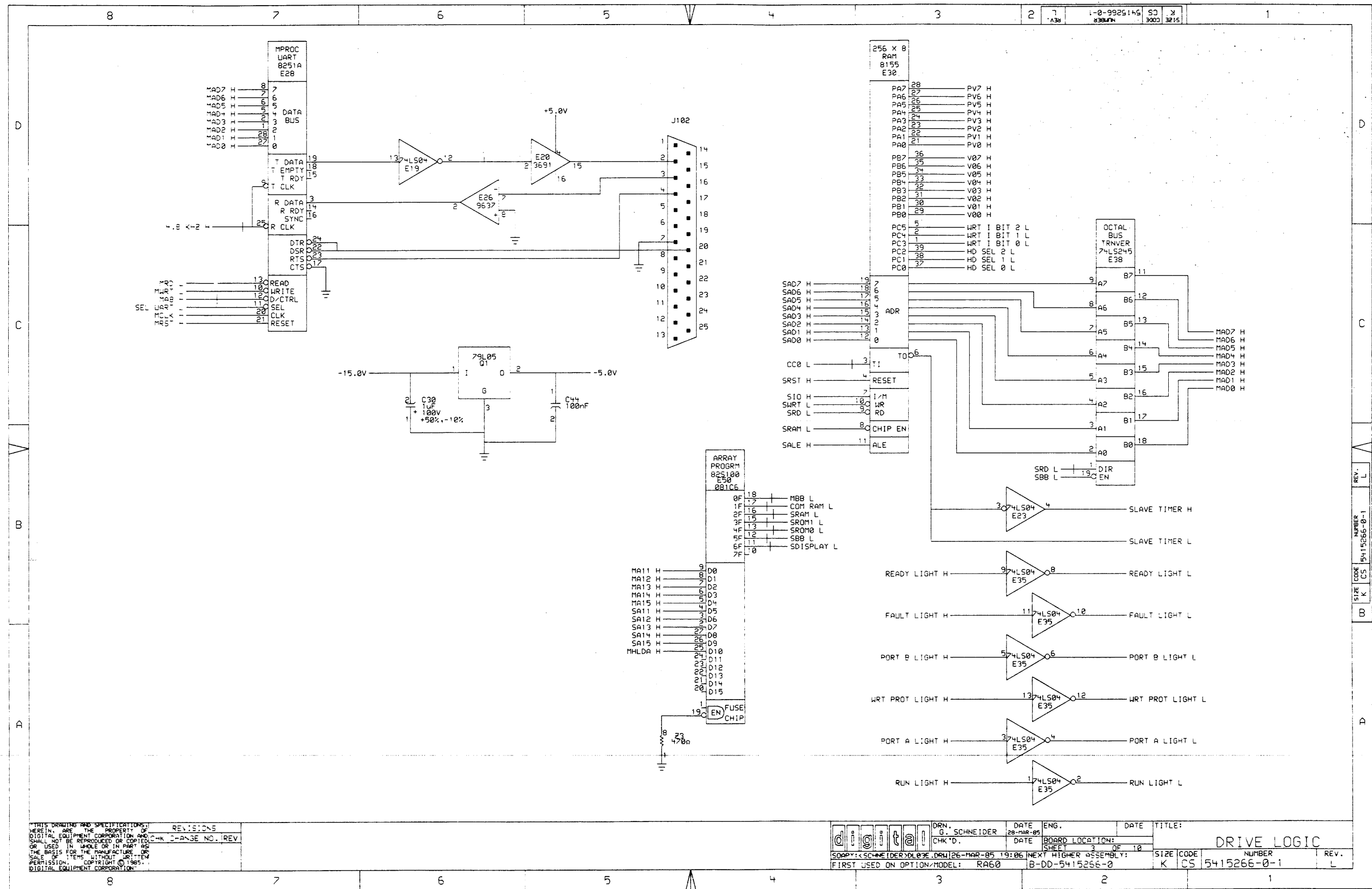
CHK'D. DATE 28-MAR-85 BOARD LOCATION: 1 OF 2

SOA: (SCHNEIDER) DL01E DR. 26-MAR-85 '85: 58: 45X 13-ER ASSEMBLY: SIZE CODE NUMBER

FIRST USED ON OPTION/MODEL: RAS0 B-22-54-5266-0 K CS 5415266-0-1 REV. 1

REV. 1  
NUMBER 5415266-0-1  
CODE K CS  
U





THIS DRAWING AND SPECIFICATIONS ARE THE PROPERTY OF DIGITAL EQUIPMENT CORPORATION AND SHALL NOT BE REPRODUCED OR COPIED OR USED IN WHOLE OR IN PART AS THE BASIS FOR THE MANUFACTURE OR SALE OF ITEMS WITHOUT WRITTEN PERMISSION. COPYRIGHT © 1985, DIGITAL EQUIPMENT CORPORATION.

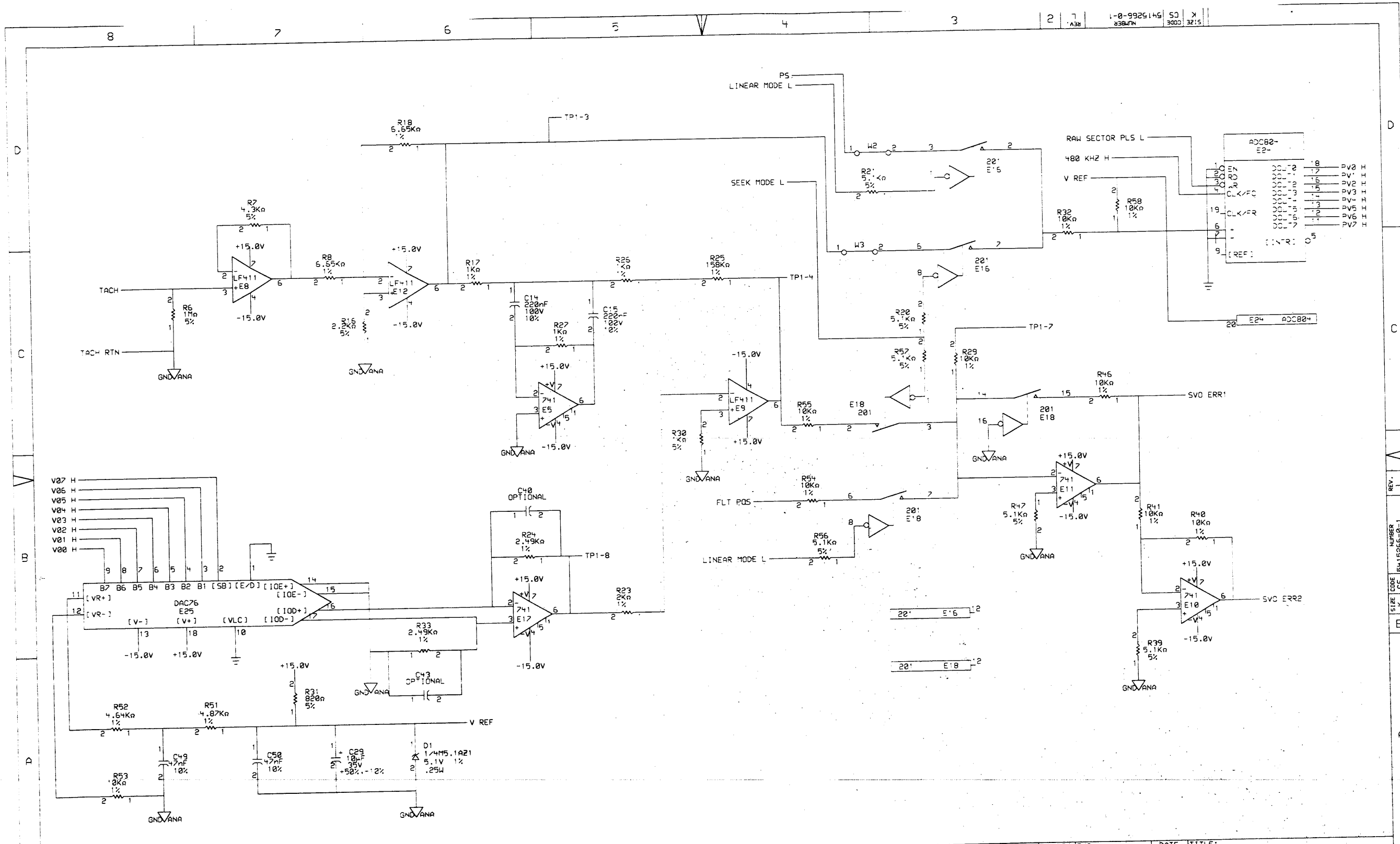
REV.	DESCRIPTION

DRN. G. SCHNEIDER	DATE 28-MAR-85	ENG.	DATE	TITLE: DRIVE LOGIC
CHK'D.	DATE	BOARD LOCATION: SHEET 3 OF 10	SIZE CODE K CS	NUMBER 5415266-0-1
FIRST USED ON OPTION/MODEL: RA60		NEXT HIGHER ASSEMBLY: B-DD-5415266-0		REV. L

REV. L NUMBER 5415266-0-1





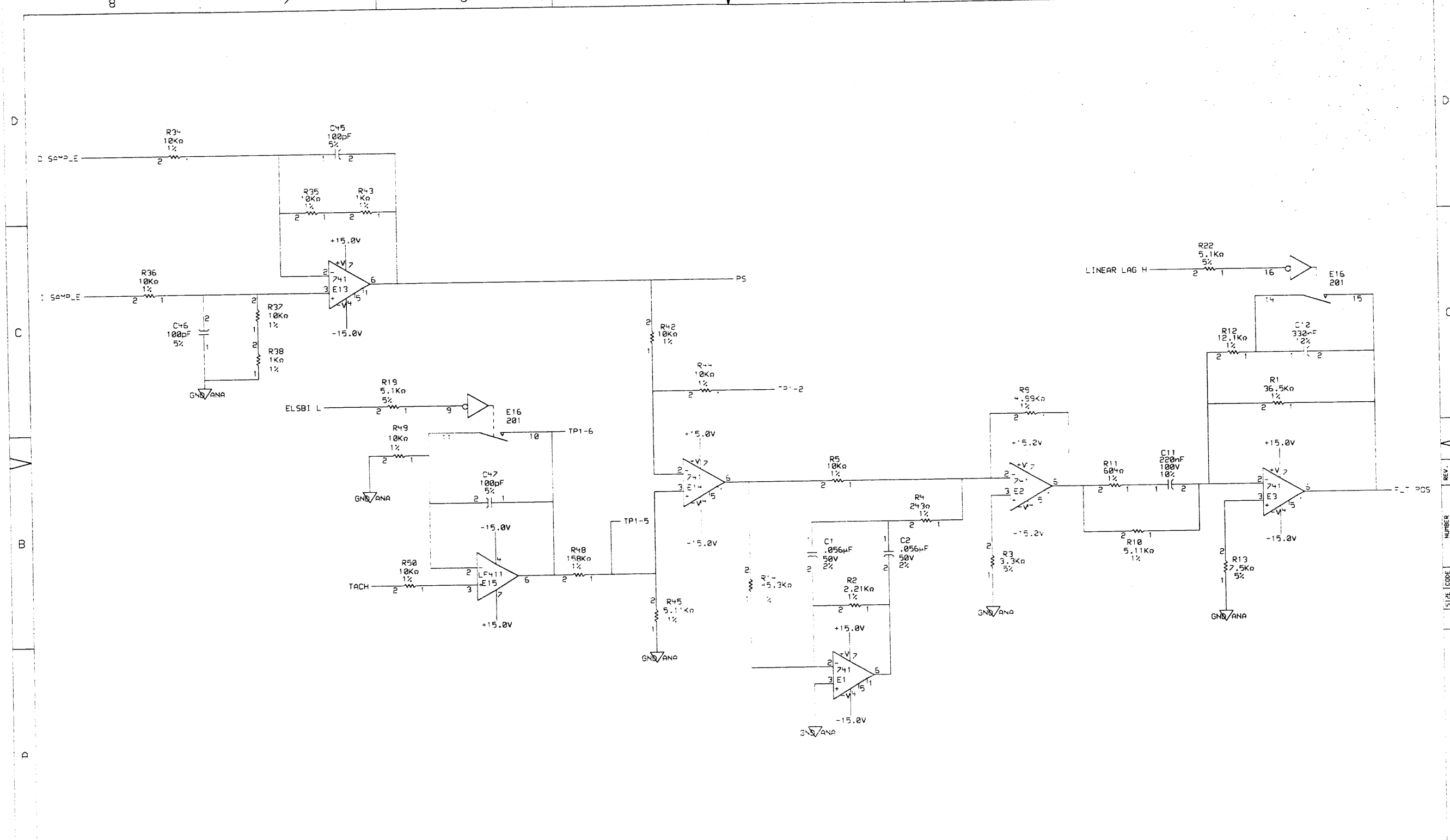


THIS DRAWING AND SPECIFICATIONS ARE THE PROPERTY OF DIGITAL EQUIPMENT CORPORATION AND SHALL NOT BE REPRODUCED OR COPIED OR USED IN WHOLE OR IN PART AS THE BASIS FOR THE MANUFACTURE OR SALE OF ITEMS WITHOUT WRITTEN PERMISSION. COPYRIGHT © 1985, DIGITAL EQUIPMENT CORPORATION.

REVISIONS		
CHK	CHANGE NO.	REV

DRN. G. SCHNEIDER	DATE 28-MAR-85	ENG.	DATE	TITLE: DRIVE LOGIC
CHK'D.				
SHEET 5 OF 10		BOARD LOCATION:		SIZE CODE K
FIRST USED ON OPTION MODEL: RA60		NEXT HIGHER ASSEMBLY: B-DD-5415266-0		NUMBER 15415266-0-1

REV. L	REV. L	REV. L
SIZE CODE K	NUMBER 15415266-0-1	REV. L

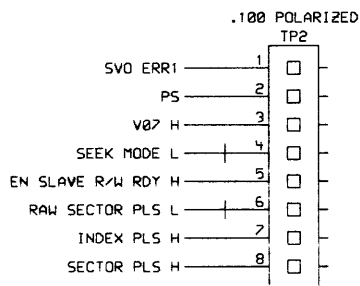
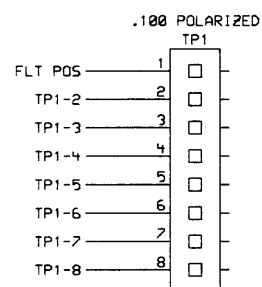
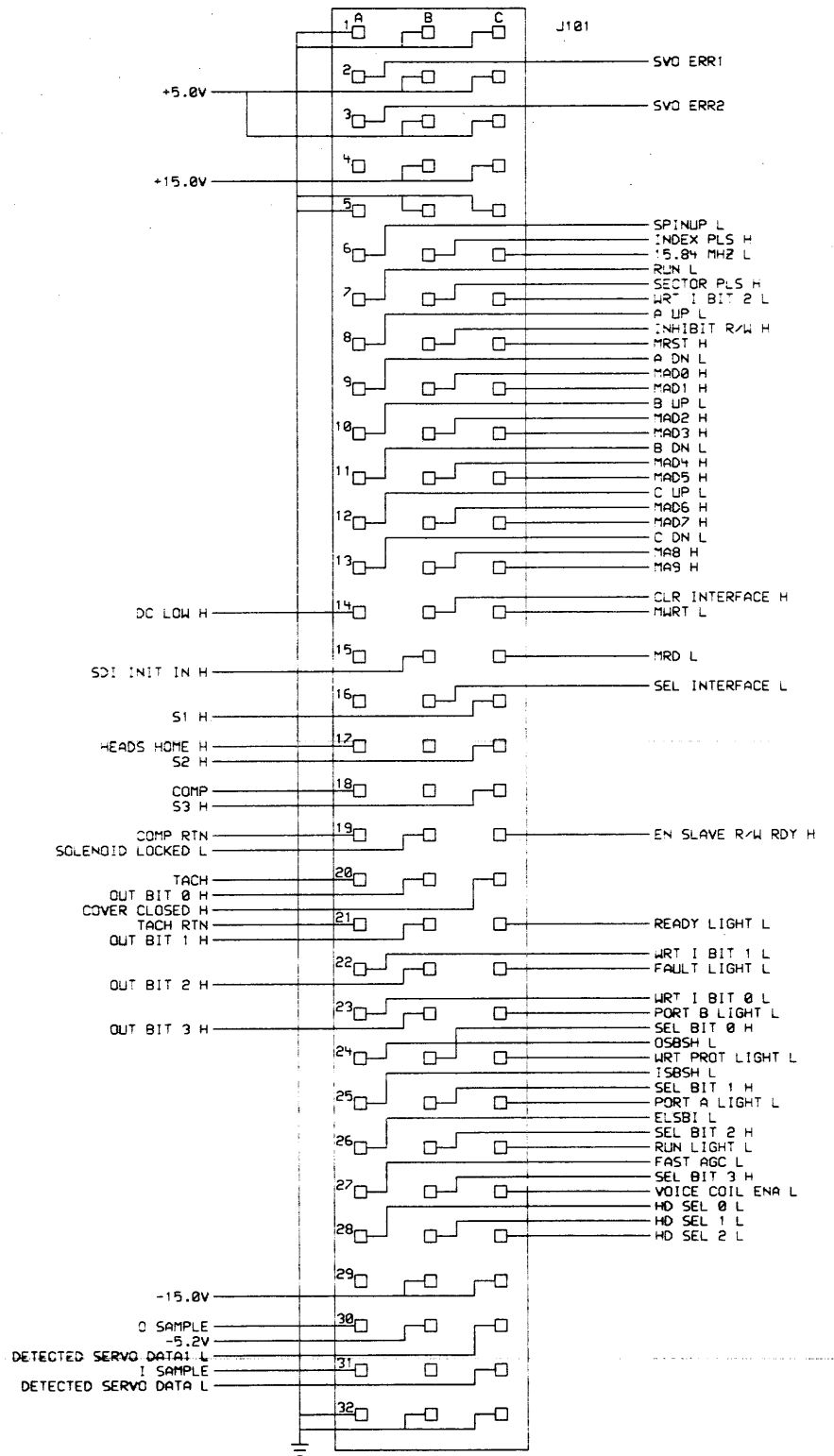


REV. L  
 NUMBER 15115266-0-1  
 SIZE CODE CS  
 K

REVISIONS
CHK CHANGE NO. REV

DATE	ENG.	DATE	TITLE:
28-MAR-85	G. SCHNEIDER	6-08	DRIVE LOGIC
DATE	BOARD LOCATION:	SHEET	NO. OF
6-08	6	10	
DATE	MANUFACTURE	DATE	REV.
26-MAR-85	9114	3-00-5415266-0	
DATE	ASSEMBLY:	DATE	REV.
2-252	3-00-5415266-0		

SOAPPY: (SCHNEIDER) 26-MAR-85 9114 NEXT HIGHER ASSEMBLY: 3-00-5415266-0  
 FIRST USED ON OPTION MODEL: 2252

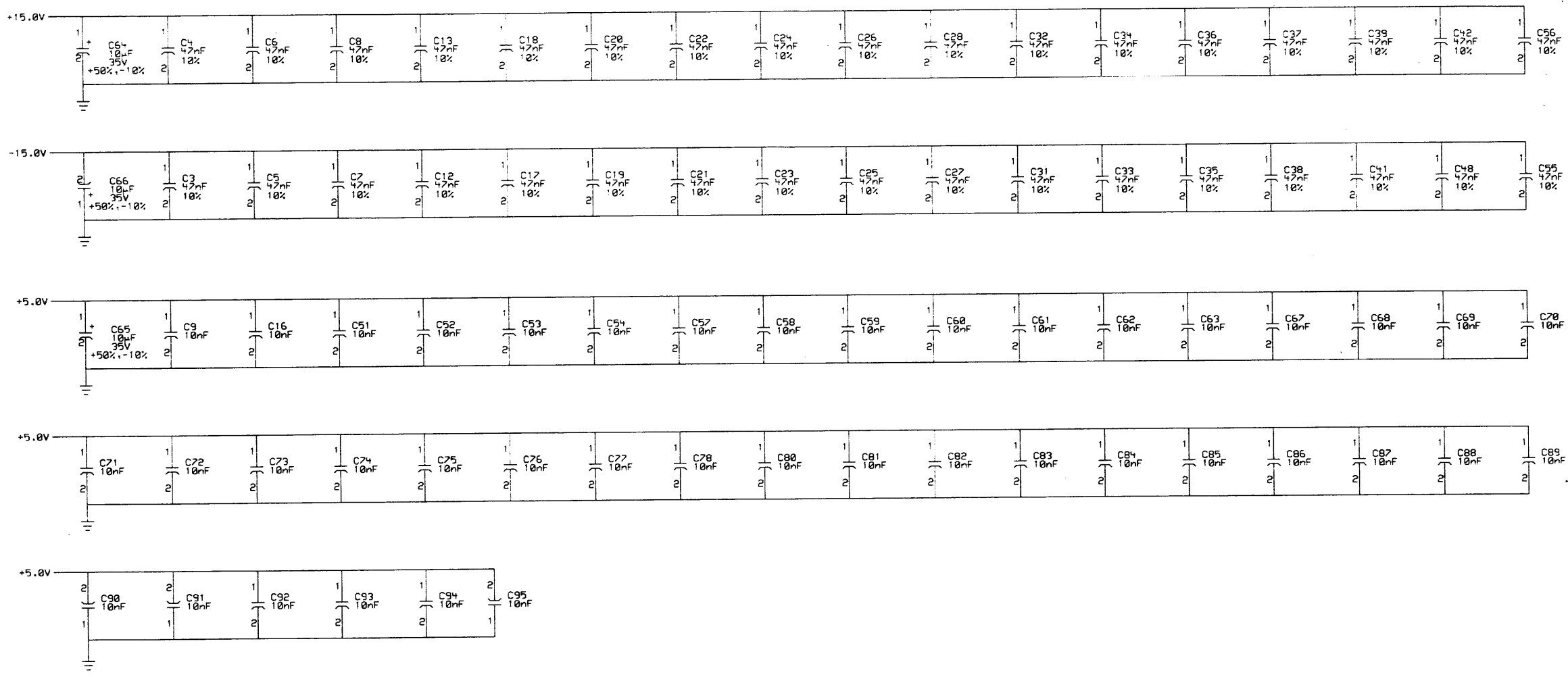


THIS DRAWING AND SPECIFICATIONS ARE THE PROPERTY OF DIGITAL EQUIPMENT CORPORATION AND SHALL NOT BE REPRODUCED OR COPIED OR USED IN WHOLE OR IN PART AS THE BASIS FOR THE MANUFACTURE OR SALE OF ITEMS WITHOUT WRITTEN PERMISSION. COPYRIGHT © 1985, DIGITAL EQUIPMENT CORPORATION.

REVISIONS	
CHK	CHANGE NO. REV

digital	DRN. G. SCHNEIDER	DATE 28-MAR-85	ENG.	DATE	TITLE: DRIVE LOGIC
	CHK'D.	DATE	BOARD LOCATION:	SHEET 7 OF 10	
COPY: <SCHNEIDER>DL02E.DRW 26-MAR-85 19:17		NEXT HIGHER ASSEMBLY: B-DD-5415266-0		SIZE K	CODE CS
FIRST USED ON OPTION/MODEL: RA60				NUMBER 5415266-0-1	REV. L

REV. L  
NUMBER 5415266-0-1  
SIZE CODE CS K



THIS DRAWING AND SPECIFICATIONS  
HEREIN ARE THE PROPERTY OF  
DIGITAL EQUIPMENT CORPORATION AND  
SHALL NOT BE REPRODUCED OR COPIED  
OR USED IN WHOLE OR IN PART AS  
THE BASIS FOR THE MANUFACTURE OR  
SALE OF ITEMS WITHOUT WRITTEN  
PERMISSION. COPYRIGHT © 1989  
DIGITAL EQUIPMENT CORPORATION

REVISIONS		
CHK	CHANGE NO.	REV

<b>digital</b>	DRN. G. SCHNEIDER	DATE 28-MAR-85	ENG.	DATE	TITLE: DRIVE LOGIC
	CHK'D.	DATE	BOARD LOCATION: SHEET 8 OF 10		
COPY: (SCHNEIDER) DLB8E.DRW [26-MAR-85 19:18] NEXT HIGHER ASSEMBLY:		FIRST USED ON OPTION/MODEL: RA60		SIZE CODE K CS	NUMBER 5415266-0-1
					REV. L

REV. L  
NUMBER 5415266-0-1  
SIZE CODE K CS

Vertical location (A-D)	Direction of line (Left, Right, Up, Down) or electrical (Input, Output, Both) or backplane pin (Pin)	Horizontal location (1-8)
Vertical location (A-D)	Direction of line (Left, Right, Up, Down) or electrical (Input, Output, Both) or backplane pin (Pin)	Horizontal location (1-8)
KEY:	SS-VH,D	
Schematic Sheet		
+5.0V	5-A7,D 5-B2,D 5-B2,D 5-B6,D 5-B8,D 5-C4,D	6-B7,U 6-C8,D
	5-C5,D 5-C6,D 5-D7,D 6-B1,D 6-B3,D 6-B4,D 6-B5,D 6-B6,D	1-A8,R 2-D4,L
	6-C7,D 7-D6,R 8-D8,R	3-C3,L 7-A5,L
-5.0V	1-A8,D 1-B3,R 1-B3,R 1-B6,R 1-B6,R 1-C8,R	HD SEL 0 L 3-C3,L 7-A5,L
	1-D2,D 1-D8,D 2-A4,D 2-B3,R 2-B5,R 2-B6,D 2-B7,D 2-C3,R	HD SEL 1 L 3-C3,L 7-A5,L
	2-C5,R 2-C7,R 2-D2,D 2-D3,D 2-D8,D 3-D5,D 4-B5,D 4-B5,D	HD SEL 2 L 3-C3,L 7-A5,L
+V	4-B6,D 7-D6,R 8-B8,R 8-B8,R 8-C8,R	HEADS HOME H 2-C3,L 7-B6,R
	2-A6,D 2-A6,D 2-A7,D 2-A7,R 2-B4,R 2-B6,D	I SAMPLE 6-C8,R 7-A6,R
	2-B7,L 4-A4,R 4-B8,D 4-C6,R	INDEX NEXT L 4-C3,L
-15.0V	3-C6,R 5-A6,D 5-B2,D 5-B2,D 5-B8,D 5-C4,D	INDEX PLS H 4-C1,L 7-B3,R 7-D5,L
	5-C5,D 5-C6,D 5-C7,D 6-A4,D 6-B1,D 6-B3,D 6-B5,D 6-B6,D	INHIBIT R/W H 4-B7,L 7-D5,L
	6-C7,D 7-A6,R 8-C8,R	ISBSH L 4-C1,L 7-B5,L
-5.0V	3-C5,L	LINEAR DIRECTION H 2-D2,L 4-B2,R
-5.2V	7-A6,R	LINEAR LAG H 2-D4,L 6-C2,R
15.84 MHZ L	2-A7,L 7-D5,L	LINEAR MODE L 2-D2,L 5-B4,R 5-D4,R
3.96 MHZ H	2-A6,L 4-B8,R 4-B3,R 4-C6,R	LOOK FOR BURST H 4-A3,L 4-A8,R 4-D5,R
4.8 KHZ H	1-B4,R 2-B2,L 3-D7,R	MA10 H 1-C3,R 1-C6,L
480 KHZ H	2-B3,L 5-D2,R	MA11 H 1-A2,R 1-D7,L 3-B5,R
5.28 MHZ H	1-B8,R 2-A4,R 2-B6,L 2-B7,R	MA12 H 1-A2,R 1-D7,L 3-B5,R
5.28 MHZ L	1-B8,R 2-B6,L 2-B7,R	MA13 H 1-A2,R 1-D7,L 3-B5,R
A DN L	4-B4,L 7-D5,L	MA14 H 1-A2,R 1-D7,L 3-B5,R
A L	2-D2,L 4-D2,L	MA15 H 1-D7,L 3-B5,R
A UP L	4-B4,L 7-D5,L	MA8 H 1-C3,R 1-C6,L 3-C8,R 7-C5,L
B DN L	4-B4,L 7-C5,L	MA9 H 1-C3,R 1-C6,L 7-C5,L
B L	2-D2,L 4-D2,L	MAD0 H 1-B1,L 3-C1,L 3-D7,R 7-C5,L
B UP L	4-B4,L 7-C5,L	MAD1 H 1-C1,L 3-C1,L 3-D7,R 7-C5,L
BURST ERR L	2-C2,L 4-A8,R 4-C3,L	MAD2 H 1-C1,L 3-C1,L 3-D7,R 7-C5,L
BURST PICK H	2-D2,L 4-D5,R	MAD3 H 1-C1,L 3-C1,L 3-D7,R 7-C5,L
C DN L	4-B4,L 7-C5,L	MAD4 H 1-C1,L 3-C1,L 3-D7,R 7-C5,L
C L	2-D2,L 4-D2,L	MAD5 H 1-C1,L 3-C1,L 3-D7,R 7-C5,L
C UP L	4-B4,L 7-C5,L	MAD6 H 1-C1,L 3-C1,L 3-D7,R 7-C5,L
CC0 L	3-C4,R 4-A4,R 4-D3,L	MAD7 H 1-C1,L 3-C1,L 3-D7,R 7-C5,L
CLR INTERFACE H	1-C6,L 7-C5,L	MALE H 1-A5,R 1-B3,R 1-B6,R 1-C7,L
CMD AVAIL H	1-A7,L 2-D4,L	MASTER SANITY H 1-C1,L 2-D4,L
CMD AVAIL L	1-A8,R 1-C1,L	MBB L 1-B5,R 3-B4,L
CMD RCVD H	1-C1,L 2-D4,L	MCLK H 1-B7,L 3-C8,R
COM RAM L	1-B4,R 3-B4,L	MHLD H 1-A6,L 1-C8,R
COMP	7-B6,R	MHLDA H 1-A5,R 1-C7,L 2-D4,L 3-A5,R
COMP RTN	7-B6,R	MIO H 1-A5,R 1-B3,R 1-B7,L
COVER CLOSED H	2-D4,L 7-B6,R	MRD L 1-A5,R 1-B3,R 1-B5,R 1-B7,L 3-C8,R 7-C5,L
D L	2-D2,L 4-D2,L	MROM0 L 1-A1,L 1-B6,R
DC LOW H	1-C2,L 7-C6,R	MROM1 L 1-A1,L 1-B3,R
DETECTED SERVO DATA L	4-D8,R 7-A6,R	MROM2 L 1-A1,L 1-B2,R
DETECTED SERVO DATA L	4-D8,R 7-A6,R	MRST H 1-B4,R 1-C6,R 1-C7,L 2-A5,R 3-C8,R 7-D5,L
DISASTER H	1-C1,L 2-C7,R	MRST IN L 1-D8,R
ELSB1 L	4-C1,L 6-C7,R 7-A5,L	MWRT L 1-A5,R 1-B3,R 1-B7,L 3-C8,R 7-C5,L
EN SLAVE R/W RDY H	2-D2,L 7-B3,R 7-B5,L	NEW HEAD H 2-D4,L 4-C8,R
FAST AGC L	4-B1,L 7-A5,L	O SAMPLE 6-D8,R 7-A6,R
FAULT LIGHT H	1-C3,L 3-B3,R	ON SPEED L 2-D2,L 4-B2,R
FAULT LIGHT L	3-B2,L 7-B5,L	OSBSH L 4-C1,L 7-B5,L
FLT POS	5-B4,R 6-B1,L 7-C3,R	OUT BIT 0 H 1-C3,L 7-B6,R
GB0 L	2-C2,L 4-D2,L	OUT BIT 1 H 1-C3,L 7-B6,R
GB1 L	2-D2,L 4-D2,L	OUT BIT 2 H 1-C3,L 7-B6,R
GND ANA	5-A2,D 5-A6,D 5-A7,D 5-A8,D 5-B3,D 5-B3,D	OUT BIT 3 H 1-C3,L 7-B6,R
	5-B5,U 5-C6,D 5-C7,D 5-C8,D 6-A4,D 6-B2,D 6-B3,D 6-B5,D	PORT A LIGHT H 1-C3,L 3-A3,R
		PORT A LIGHT L 3-A2,L 7-A5,L
		PORT B LIGHT H 1-C3,L 3-A3,R
		PORT B LIGHT L 3-A2,L 7-B5,L
		PS 5-D4,R 6-C5,L 7-B3,R
		PV0 H 3-D3,L 5-D1,L
		PV1 H 3-D3,L 5-D1,L
		PV2 H 3-D3,L 5-D1,L
		PV3 H 3-D3,L 5-D1,L
		PV4 H 3-D3,L 5-D1,L
		PV5 H 3-D3,L 5-D1,L
		PV6 H 3-D3,L 5-D1,L
		PV7 H 3-D3,L 5-D1,L
		RAW SECTOR PLS L 2-C8,R 4-A8,R 4-D3,L 5-D2,R 7-B3,R
		READY LIGHT H 1-C3,L 3-B3,R
		READY LIGHT L 3-B2,L 7-B5,L
		RUN L 2-B5,L 7-D5,L
		RUN LIGHT H 1-C3,L 3-A3,R
		RUN LIGHT L 3-A2,L 7-A5,L
		S1 H 2-C4,L 4-B6,R 7-C5,R
		S2 H 4-A6,R 7-B6,R
		S3 H 4-A6,R 7-B6,R
		SA11 H 2-D6,L 3-B5,R
		SA12 H 2-D6,L 3-B5,R
		SA13 H 2-D6,L 3-A5,R
		SA14 H 2-D6,L 3-A5,R
		SA15 H 2-D6,L 3-A5,R
		SAD0 H 2-C2,L 3-C4,R
		SAD1 H 2-C2,L 3-C4,R
		SAD2 H 2-C2,L 3-C4,R
		SAD3 H 2-C2,L 3-C4,R
		SAD4 H 2-C2,L 3-C4,R
		SAD5 H 2-C2,L 3-C4,R
		SAD6 H 2-C2,L 3-C4,R
		SAD7 H 2-C2,L 3-C4,R
		SALE H 1-A5,R 2-B5,R 2-C6,L 3-B4,R
		SBB L 3-B2,R 3-B4,L
		SCLK H 2-B6,L 2-C5,R
		SDI INIT IN H 1-C8,R 7-C6,R
		SDISPLAY L 3-B4,L
		SEC H,1 1-B3,L 1-C8,R
		SECTOR PLS H 4-C1,L 7-B3,R 7-D5,L
		SEEK MODE L 2-D2,L 5-D4,R 7-B3,R
		SEL BIT 0 H 1-C3,L 7-B5,L
		SEL BIT 1 H 1-D3,L 7-B5,L
		SEL BIT 2 H 1-D3,L 7-A5,L
		SEL BIT 3 H 1-D3,L 7-A5,L
		SEL INTERFACE L 1-A1,L 7-C5,L
		SEL SW/DISP L 1-A1,L
		SEL UART L 1-A1,L 3-C8,R
		SIO H 1-A5,R 2-C6,L 3-C4,R
		SLAVE ATTN H 1-D1,L 2-D4,L
		SLAVE DONE H 1-D1,L 2-D4,L
		SLAVE RST H 1-C1,L 2-D8,R
		SLAVE SANITY H 1-D1,L 2-D4,L
		SLAVE TIMER H 3-B2,L 4-A4,R
		SLAVE TIMER L 3-B2,L 4-B8,R
		SOLENOID LOCKED L 2-D4,L 7-B6,R
		SPEED CONTROL H 2-D2,L 4-A8,R
		SPEED ERR L 2-D4,L 4-A7,L
		SPINUP L 2-C1,L 7-D5,L
		SPINUP0 L 2-C2,R 2-D4,L
		SRAM L 3-B4,L 3-B4,R
		SRD L 1-A5,R 2-C6,L 3-B2,R 3-C4,R
		SROM0 L 2-B5,R 3-B4,L
		SROM1 L 2-B3,R 3-B4,L
		SRST H 2-C5,R 2-D6,L 3-C4,R
		SVO ERR1 5-C2,L 7-B3,R 7-D5,L
		SVO ERR2 5-B1,L 7-D5,L

THIS DRAWING AND SPECIFICATIONS ARE THE PROPERTY OF DIGITAL EQUIPMENT CORPORATION AND SHALL NOT BE REPRODUCED OR COPIED OR USED IN WHOLE OR IN PART AS THE BASIS FOR THE MANUFACTURE OR SALE OF ITEMS WITHOUT WRITTEN PERMISSION. COPYRIGHT © 1989, DIGITAL EQUIPMENT CORPORATION.

REVISIONS	CHK	CHANGE NO.	REV

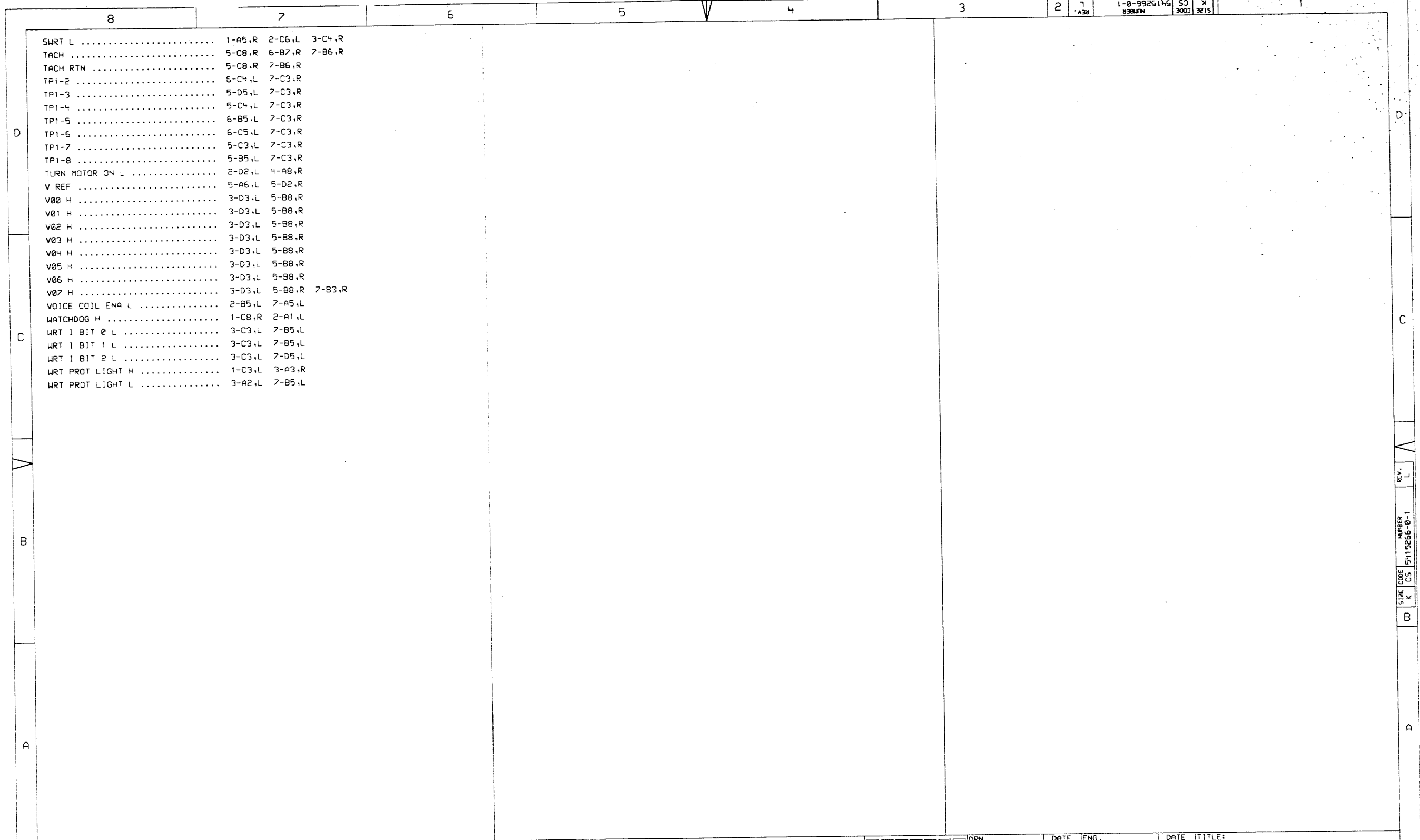
DRIVE LOGIC

DRN: G. SCHNEIDER DATE: 28-MAR-85 ENG. DATE: TITLE:

CHK'D. DATE: BOARD LOCATION: SHEET 9 OF 10

DSK: DLE.72P(4,243) 128-MAR-85 13:45 NEXT HIGHER ASSEMBLY: SIZE CODE NUMBER REV. K CS 5415266-0-1 L

FIRST USED ON OPTION MODEL: RA60 B-DD-5415266-0



- SWRT L ..... 1-A5,R 2-C6,L 3-C4,R
- TACH ..... 5-C8,R 6-B7,R 7-B6,R
- TACH RTN ..... 5-C8,R 7-B6,R
- TP1-2 ..... 6-C4,L 7-C3,R
- TP1-3 ..... 5-D5,L 7-C3,R
- TP1-4 ..... 5-C4,L 7-C3,R
- TP1-5 ..... 6-B5,L 7-C3,R
- TP1-6 ..... 6-C5,L 7-C3,R
- TP1-7 ..... 5-C3,L 7-C3,R
- TP1-8 ..... 5-B5,L 7-C3,R
- TURN MOTOR ON L ..... 2-D2,L 4-A8,R
- V REF ..... 5-A6,L 5-D2,R
- V00 H ..... 3-D3,L 5-B8,R
- V01 H ..... 3-D3,L 5-B8,R
- V02 H ..... 3-D3,L 5-B8,R
- V03 H ..... 3-D3,L 5-B8,R
- V04 H ..... 3-D3,L 5-B8,R
- V05 H ..... 3-D3,L 5-B8,R
- V06 H ..... 3-D3,L 5-B8,R
- V07 H ..... 3-D3,L 5-B8,R 7-B3,R
- VOICE COIL ENA L ..... 2-B5,L 7-A5,L
- WATCHDOG H ..... 1-C8,R 2-A1,L
- WRT I BIT 0 L ..... 3-C3,L 7-B5,L
- WRT I BIT 1 L ..... 3-C3,L 7-B5,L
- WRT I BIT 2 L ..... 3-C3,L 7-D5,L
- WRT PROT LIGHT H ..... 1-C3,L 3-A3,R
- WRT PROT LIGHT L ..... 3-A2,L 7-B5,L

D  
C  
B  
D

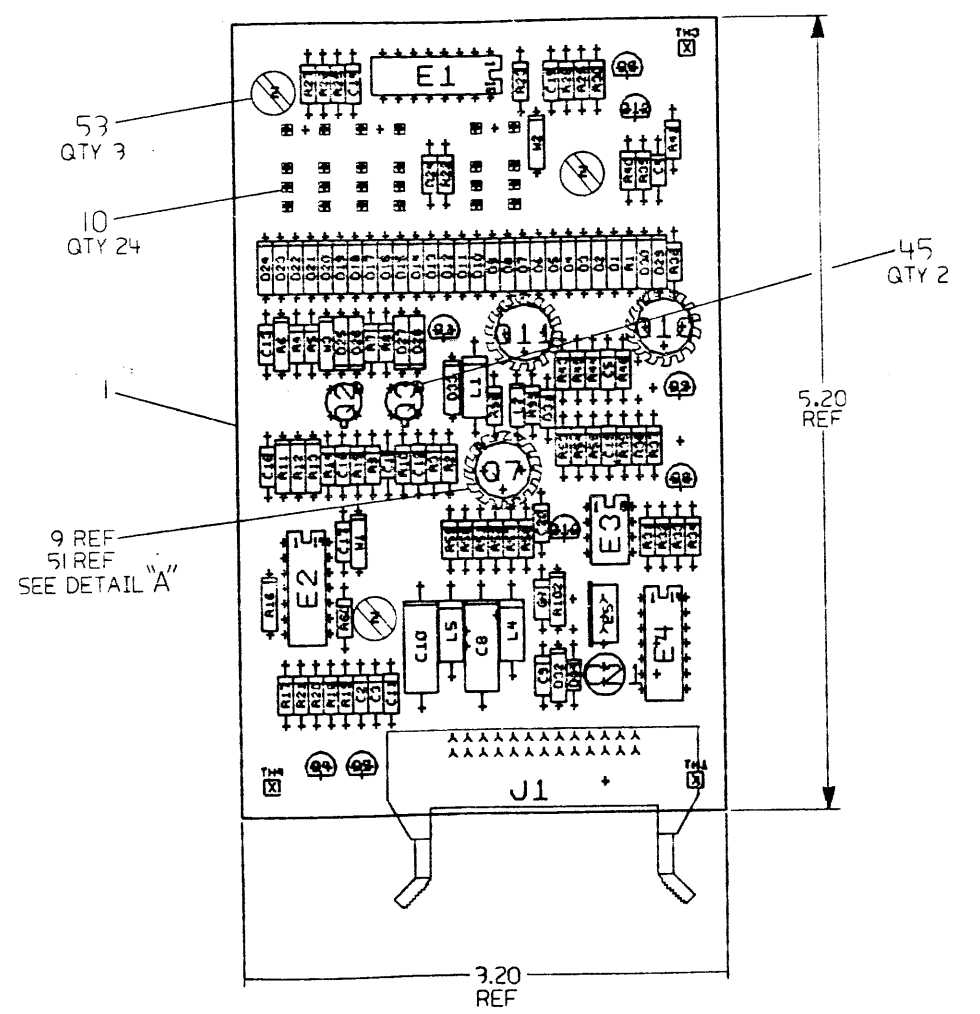
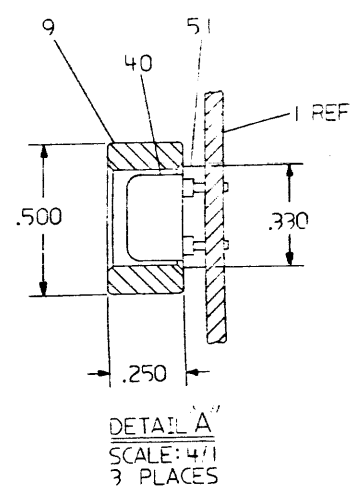
D  
C  
B  
D

REVISIONS	
CHK	CHANGE NO. REV

<b>digital</b>	DRN. G. SCHNEIDER	DATE 28-MAR-85	ENG.	DATE	TITLE: DRIVE LOGIC
	CHK'D.	DATE	BOARD LOCATION:	SHEET 10 OF 10	NUMBER
DSK:DL12PL4.243		28-MAR-85 13:45	NEXT HIGHER ASSEMBLY:	SIZE CODE K CS	5415266-0-1
FIRST USED ON OPTION/MODEL: RAG0		B-DD-5415266-0		REV. L	

ALL DIMENSIONS AND SPECIFICATIONS HEREIN ARE THE PROPERTY OF DIGITAL EQUIPMENT CORPORATION AND SHALL NOT BE REPRODUCED OR COPIED OR USED IN WHOLE OR IN PART AS THE BASIS FOR THE MANUFACTURE OR SALE OF ANY PRODUCT WITHOUT THE EXPRESS WRITTEN PERMISSION OF DIGITAL EQUIPMENT CORPORATION.

COMPONENT SIDE VIEW



NOTES: W2 AND W3 ARE NOT TO BE INSTALLED.

STEP E → Y AXIS 5.20 STEP 1 TIMES 2AC14  
REPEAT → X AXIS 3.20 STEP 4 TIMES

CHK/CHANGE NO	REV	DATE	BY	APP'D
5415268	CA	004	B. RUBIN	E
5415268	-		M. BERTISON	F

ETCH REV. F1-P1
-----------------

SIGNATURES	DATE	TITLE
DRN. <i>[Signature]</i>	2/25/68	digital
CHK'D. <i>[Signature]</i>	1/25/68	
RECH. ENG. <i>[Signature]</i>	1/25/68	TITLE READ/WRITE PREAMP
PROJ. ENG. <i>[Signature]</i>	2/25/68	
PROD. <i>[Signature]</i>	2/25/68	
SCALE 2/1	SIZE CODE 0	NUMBER 5415268-0-C
SHT. 1 OF 1		REV F
NEXT HIGHER ASSY. B-00-5415268-0		

A

B

C

D

DUA 5415268-0-0

161



LINE	ITEM	TOP DOCUMENT	PART NUMBER	MIN REV	DESCRIPTION	QTY	PER VARIATION	REFERENCE DESIGNATOR
					VARIATION REVISION LEVEL:	01	E2	
1	1	B-DD-5015267-0	5015267-01	E	DRILL AND ETCH BOARD	1		
2	2		1013466-06		100.0 MMF 50V 5% CER	3		C2,C3,C20
3	3		1013466-22		.1 MFD 50V/480-20% Z5U CER	12		C5,C7,C9,C11-C19
4	4		1013466-30		560.0 MMF 50V 5% CER	1		C4
5	5		1013466-43		.01 MFD 50V 5% X7R CER	1		C1
6	6		1017472-00		10 MFD 35V +75-10% AL EL	2		C8,C10
7	7		1105871-00		VZ= 5.15 1% 250 MW	1		D31
8	8		1113003-00		PIV= 55 IO=200 MA - 4NS 1N5282	33		D1-D30,D32,D33,D34
9	9		1210001-00		HEAT SINKS,TD-5 .500DX0.25	3		
	10		1210385-01		PCB HEADER PIN	24		
11	11		1216832-01		PCB,HEADER 26POS(2X13).100CC 90D	1		J1
12	12		1302411-00		511.0 .25 W 1.0 % RN55D-F10	5		R11-R13,R16,R102
13	13		1302612-00		1.78 K .25 W 1.0 % RN55D-F10	1		R28
14	14		1302685-00		909.0 .25 W 1.0 % RN55D-F10	1		R37
15	15		1302858-00		100.0 .25 W 1.0 % RN55D-F10	6		R17,R21,R35,R36,R98,R99
16	16		1302872-00		681.0 .25 W 1.0 % RN55D-F1	2		R3,R33
17	17		1302875-00		82.50 .25 W 1.0 % RN55D-F10	2		R31,R32
18	18		1302941-00		14.70 K .25 W 1.0 % RN55D-F10	3		R9,R10,R38
19	19		1302957-00		121.0 .25 W 1.0 % RN55D-F10	2		R58,R59
20	20		1303037-00		90.90 .25 W 1.0 % RN55D-F10	1		R15
21	21		1303045-00		3.16 K .25 W 1.0 % RN55D-F10	2		R39,R53
22	22		1303047-00		464.0 .25 W 1.0 % RN55D-F10	1		R56
23	23		1303114-00		1.0 K .25 W 1.0 % RN55D-F10	3		R29,R54,R57
24	24		1304854-00		5.11 K .25 W 1.0 % RN55D-F10	6		R22,R23,R24,R25,R26,R27
25	25		1304856-00		4.64 K .25 W 1.0 % RN55D-F10	2		R2,R41
26	26		1304858-00		348.0 .25 W 1.0 % RN55D-F10	3		R1,R18,R19
27	27		1304862-00		1.62 K .25 W 1.0 % RN55D-F10	1		R30
28	28		1304863-00		316.0 .25 W 1.0 % RN55D-F10	1		R20
29	29		1305125-00		383.0 .25 W 1.0 % RN55D-F10	1		R14
30	30		1305128-00		5.62 K .25 W 1.0 % RN55D-F10	1		R51

REVISION HISTORY			BASIC PART NO: 5415268						
ENG	ECO NUMBER	REV	SECTION A OF A	DRN:	JERRI JASON	DATE: 06-DEC-83	D I G I T A L		
	INITIAL	A	SECTION VARIATION INDEX	CHK'D:	SUE BOURBEAU	DATE: 06-DEC-83	TITLE PARTS LIST		
GA	5415268-CX001	B	[A] 01				READ/WRITE PREAMP		
GA	5415268-CX002	C	[B]				DOCUMENT NUMBER		
BR	5415268-CX003	D	[C]	DES.ENG:	BOB RUBKE	DATE: 06-DEC-83	SIZE CODE NUMBER REV		
BR	5415268-CX004	E	[D]				K PL 5415268-0-DBP F		
MB	5415268-CX005	F	[E]	RESP.ENG.:	BOB RUBKE	DATE: 06-DEC-83	RELEASE DATE: 03-JAN-85		
			[F]						
			[G]						
			[H]						
			[I]						
			[J]						
			[K]	MFG.ENG.:	JOHN PAPA	DATE: 06-DEC-83			
			[L]						
			[M]	ASSEMBLY NUMBER:		TOP DOCUMENT NUMBER:	FILE NAME:	EDIT #	
			[N]	D-UA-5415268-0-0		B-DD-5415268-0-0	Z2151F.PLS	4	

*Handwritten notes:*  
 3-15-85  
 MB  
 3-Jan-85

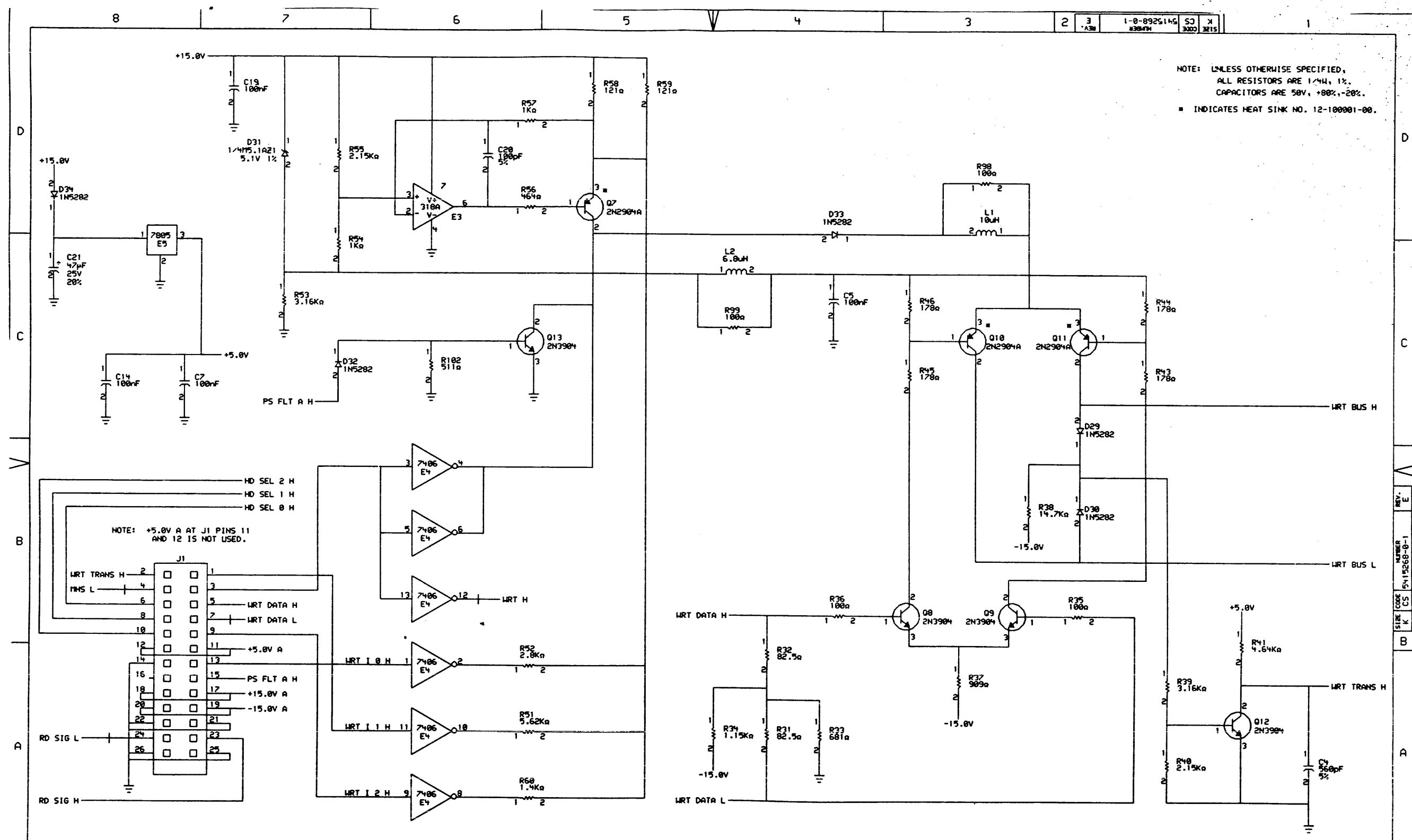
"THIS DRAWING AND THE SPECIFICATIONS CONTAINED HEREIN ARE CONFIDENTIAL AND PROPRIETARY. THEY ARE THE PROPERTY OF DIGITAL EQUIPMENT CORPORATION AND SHALL NOT BE REPRODUCED OR COPIED OR USED IN WHOLE OR IN PART AS THE BASIS FOR THE MANUFACTURE OR SALE OF ITEMS WITHOUT WRITTEN PERMISSION. THIS IS AN UNPUBLISHED WORK PROTECTED UNDER THE FEDERAL COPYRIGHT LAWS."

AUTOMATED BY PRTLST.3P(44)

SHEET A2 OF A2

LINE ITEM TOP DOCUMENT		P A R T S L I S T				QTY PER VARIATION	REFERENCE DESIGNATOR
		MIN	REV	DESCRIPTION	01		
		PART NUMBER		VARIATION REVISION LEVEL:	E2		
31	31	1305145-00		2.80 K .25 W 1.0 % RN55D-F10	1	R52	
32	32	1305322-00		7.50 K .25 W 1.0 % RN55D-F10	1	R6	
33	33	1309413-00		3.83 K .25 W 1.0 % RN55D-F10	2	R7,R8	
34	34	1311422-00		178.0 .25 W 1.0 % RN55D-F10	4	R43,R44,R45,R46	
35	35	1311653-00		2.15 K .25 W 1.0 % RN55D-F10	2	R40,R55	
36	36	1312545-00		2.32 K .25 W 1.0 % RN55D-F10	2	R4,R5	
37	37	1313589-00		1.40 K .25 W 1.0 % RN55D-F10	1	R60	
38	38	1314549-00		1.15 K .25 W 1.0 % RN55D-F10	1	R34	
39	39	1316836-00		*** THIS ITEM IS NOT USED ***	-		
40	40	1501913-00		2N 2904A PNP 600MW SI 60 40 Y	3	Q7,Q10,Q11	
41	41	1509524-00		2N 3904 NPN 310MW SI 40 40 M	4	Q8,Q9,Q12,Q13	
42	42	1509525-00		2N 3906 PNP 310MW SI 40100 Y	4	Q1,Q4,Q5,Q6	
43	43	1516055-00		2N 5031 NPN 200MW 20MA	2	Q2,Q3	
44	44	1612946-04		6.8 UH 10% Q MIN=52@7.9MHZ	1	L2	
45	45	1613367-01		BEAD,SHIELDING,FERRITE	2		
46	46	1613898-00		10.0 UH INDUCTOR	3	L1,L4,L5	
47	47	1919580-01		LS145 DECODER,BCD/DECIMAL	1	E1	
48	48	1910644-00		733 DIFFERENTIAL AMP,WID	1	E2	
49	49	1910735-02		318 OP AMP	1	E3	
50	50	1910741-00		7406 INVERTER GATE-HEX 1I	1	E4	
51	51	9007201-00		PAD,MOUNTING,COMPONENT	3		
52	52	9008268-00		COMPOUND, THERMAL JOINT	A/R		
53	53	1221271-02		FASTENER ASSY,CAPTIVE 6-32	3		
54	54	9009185-00		JUMPER, WIRE, INSULATED, BLACK B	1	W1	
55	55	1018000-40	A	47 MFD 25V 20% AL EL	1	C21	
56	56	1912536-01	H	7805 VOLT REG,FIX +5V	1	E5	

D	I	G	I	T	A	L	TITLE	SECTION A OF A	SIZE	CODE	DOCUMENT NUMBER	REV
							READ/WRITE PREAMP		K	PL	5415268-0-DBP	F

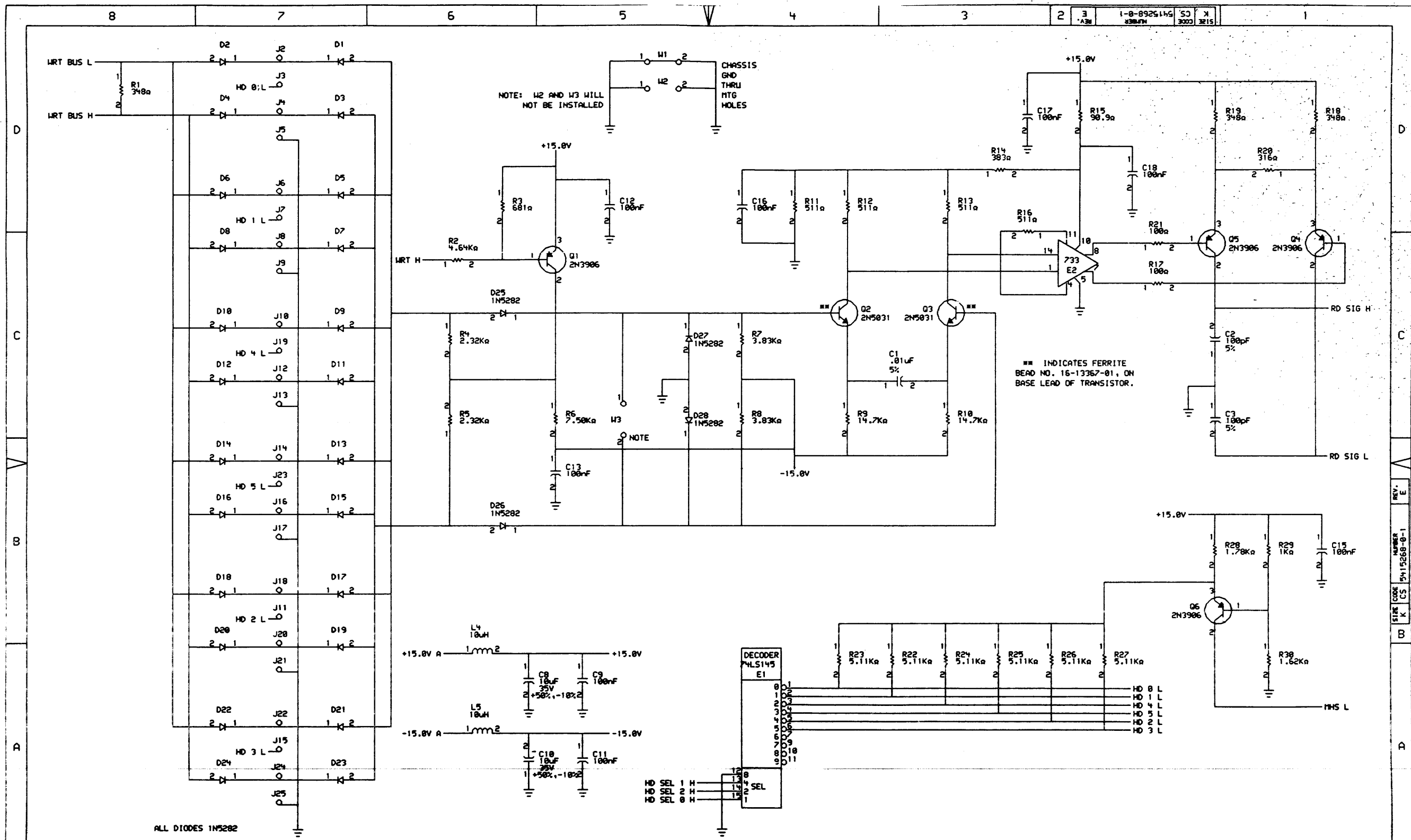


NOTE: UNLESS OTHERWISE SPECIFIED,  
 ALL RESISTORS ARE 1/4W, 1%  
 CAPACITORS ARE 50V, +80%, -20%  
 ■ INDICATES HEAT SINK NO. 12-100001-00.

NOTE: +5.0V A AT J1 PINS 11  
 AND 12 IS NOT USED.

CHK	CHANGE NO.	REV
1	15415268-1	E

	DRN. G. SCHNEIDER	DATE 12-28-69	ENG. R. K. K.	DATE 12-28-69	TITLE: READ/WRITE PREAMP
	CHK'D. J. D. D.	DATE 1-1-70	DATE 1-1-70	BOARD LOCATION: 1 OF 3	SIZE CODE NUMBER REV. K CS 15415268-0-1 E
SOA PT: (SCHNEIDER) 2P01A DEL 14 JUN 69 09:18 IN NEXT HIGHER ASSEMBLY: B-DD-5415268-0					FIRST USED ON OPTION MODEL: RAG0



THIS DESIGN AND SPECIFICATIONS ARE THE PROPERTY OF DIGITAL EQUIPMENT CORPORATION AND SHALL NOT BE REPRODUCED OR COPIED OR USED IN WHOLE OR IN PART AS THE BASIS FOR THE MANUFACTURE OR SALE OF ITEMS WITHOUT WRITTEN PERMISSION. COPYRIGHT © 1969, DIGITAL EQUIPMENT CORPORATION.

REVISIONS		
CHK	CHANGE NO.	REV



DESIGNED BY: S. SCHNEIDER  
 DATE: 11-28-68  
 CHECKED BY: S. SCHNEIDER  
 DATE: 12-11-68  
 BOARD LOCATION: DE 3  
 NEXT HIGHER ASSEMBLY: B-DD-5415268-0

TITLE: READ/WRITE PREAMP  
 SIZE CODE: K CS  
 NUMBER: 5415268-0-1  
 REV. E

REV. E  
 SIZE CODE K CS  
 NUMBER 5415268-0-1

Vertical location (A-D)	Direction of line (Left, Right, Up, Down) or electrical (Input, Output, Both) or backplane pin (Pin)	
KEY:	SS-VH,D	
Schematic Sheet	Horizontal location (1-8)	
+15.0V .....	1-D7,R	1-D8,D 2-A5,L 2-B2,R 2-D2,D 2-D5,D
+15.0V A .....	1-A7,L	2-A6,R
+5.0V .....	1-B1,D	1-C7,L
+5.0V A .....	1-A7,L	
-15.0V .....	1-A3,D	1-A5,D 1-B3,D 2-A5,L 2-B4,D
-15.0V A .....	1-A7,L	2-A6,R
HD 0 L .....	2-A2,L	2-D7,R
HD 1 L .....	2-A2,L	2-D7,R
HD 2 L .....	2-A2,L	2-B7,R
HD 3 L .....	2-A2,L	2-A7,R
HD 4 L .....	2-A2,L	2-C7,R
HD 5 L .....	2-A2,L	2-B7,R
HD SEL 0 H .....	1-B7,L	2-A5,R
HD SEL 1 H .....	1-B7,L	2-A5,R
HD SEL 2 H .....	1-B7,L	2-A5,R
MHS L .....	1-B8,R	2-A1,L
PS FLT A H .....	1-A7,L	1-C7,R
RD SIG H .....	1-A8,R	2-C1,L
RD SIG L .....	1-A8,R	2-B1,L
WRT BUS H .....	1-C1,L	2-D8,R
WRT BUS L .....	1-B1,L	2-D8,R
WRT DATA H .....	1-B4,R	1-B7,L
WRT DATA L .....	1-A4,R	1-B7,L
WRT H .....	1-B6,L	2-C6,R
WRT I 0 H .....	1-A7,L	
WRT I 1 H .....	1-A7,L	
WRT I 2 H .....	1-A7,L	
WRT TRANS H .....	1-A1,L	1-B8,R

THIS DRAWING AND SPECIFICATIONS ARE THE PROPERTY OF DIGITAL EQUIPMENT CORPORATION AND SHALL NOT BE REPRODUCED OR COPIED OR USED IN WHOLE OR IN PART AS THE BASIS FOR THE MANUFACTURE OR SALE OF ITEMS WITHOUT WRITTEN PERMISSION. COPYRIGHT © 1974, DIGITAL EQUIPMENT CORPORATION.

REVISIONS	
CHK	CHANGE NO. REV

<b>digital</b>	DRN. G. SCHNEIDER	DATE 14-JUN-74	ENG.	DATE	TITLE: READ/WRITE PREAMP
	CHK'D.	DATE	BOARD LOCATION: SHEET 3 OF 3		
DSX:PAR,12P4,242		14-JUN-74 09:58	NEXT HIGHER ASSEMBLY: B-DD-5415268-0		SIZE CODE K CS
FIRST USED ON OPTION/MODEL: RA60					NUMBER 5415268-0-1
					REV. E

D  
C  
B  
A  
REV. E  
NUMBER 5415268-0-1  
SIZE CODE K CS





54-5270-CX229

COMPONENT ADDS: (SIDE 1)

9-2 ADD E13 (19-28-6-00)

WIRE ADDS: (SIDE 1)

- 9-3 ADD WIRE FROM E13 PIN 2 TO E30 PIN 28
- 9-4 ADD WIRE FROM E13 PIN 6 TO E37 PIN 9
- 9-5 ADD WIRE FROM E13 PIN 4 TO E31 PIN 18
- 9-6 ADD WIRE FROM E13 PIN 7 TO 1ST PTH BELOW E13 PIN 7
- 9-7 ADD WIRE FROM E13 PIN 3 TO E13 PIN 5
- 9-8 ADD WIRE FROM E13 PIN 1 TO E30 PIN 27

PART MARKING

9-9 AFTER COMPLETING REWORK MARK MODULE PART REV "M1"

54-5270-CX213

WIRE ADDS: (SIDE 1)

13-1 ADD WIRE FROM E55 PIN 5 TO E17 PIN 11

54-5270-CX014

NOTES:

- 1. ALL WIRE ADDS ARE ON SIDE TWO OF THE MODULE AND SHOULD FOLLOW THE PLACEMENT AS CLOSE AS POSSIBLE TO THE DRAWING.

2. A. MATCHING OF HYBRID VENDOR TYPES WILL BE DONE IN REWORK, ONLY IF THE COMPONENT NEEDS REPLACEMENT, OR GENERIC -20 PART NUMBER IS IN LOCATION E50 OR E55. AFTER REPLACEMENT OF EITHER E50 OR E55 THEY SHOULD BOTH HAVE THE SAME VENDOR TYPE EITHER HYTEK -20 OR CAG -20 PART NUMBER.

B. THE HYBRIDS AT E50 AND E55 SHALL BE MATCHED ON ALL NEW BUILD MODULES. (GENERIC -20 HYBRIDS ARE NOT ACCEPTABLE FOR NEW BUILD MODULES) ONLY CAG -20 OR HYTEK -20 REV 2+ ARE ACCEPTABLE.

3. REVISIONS L1, L2 AND M1, SHALL BE REWORKED TO THESE INSTRUCTIONS AND LABELED N1.

4. IT WILL ONLY BE NECESSARY TO INCORPORATE THE REWORK FOR THE M1 REVISION IF E17 HAS PART # 2319-J5-20.

WIRE ADDS: (SIDE 2)

14-1

- A) ADD WIRE FROM C48 PIN 2 TO E50 PIN 20
- B) ADD WIRE FROM C48 PIN 2 TO E50 PIN 32

14-2

- A) ADD WIRE FROM C52 PIN 1 TO E50 PIN 4
- B) ADD WIRE FROM C52 PIN 1 TO E56 PIN 4

14-3 ADD WIRE FROM C58 PIN 2 TO E56 PIN 3

14-4 ADD WIRE FROM D1 PIN 1 TO E56 PIN 15

14-5 ADD WIRE FROM C69 PIN 2 TO E50 PIN 14

14-6 ADD WIRE FROM C72 PIN 2 TO E56 PIN 14

PART MARKING

14-7 AFTER ABOVE REWORK MARK MODULE PART REV "N1"

REVISIONS	
CHK	CHANGE NO. REV

digital	DRN.	DATE	ENG.	DATE	TITLE: SDI INTERFACE
	CHK'D.	DATE	BOARD LOCATION:	SHEET 3 OF 3	
DSK: 5270, 22PL4, 24 14-MAR-85 12:21 NEXT HIGHER ASSEMBLY:					SIZE CODE
FIRST USED ON OPTION/MODEL: RAS0					NUMBER 54-5270-0-0
					REV. M

REV. #  
 NUMBER 54-5270-0-0  
 CODE UR  
 SIZE D  
 CU



LINE	ITEM	TOP DOCUMENT	PART NUMBER	MIN REV	DESCRIPTION	VARIATION REVISION LEVEL:	QTY PER VARIATION	REFERENCE DESIGNATOR
1	1	B-DD-5015269-0	5015269-01	D	DRILL AND ETCH BOARD		1	
2	2		1001610-00		.01 MFD 50V +80-20% Z5U CER		63	CONT C1-C16,C18-C21,C23-C56,C59-C66,C68
3	3		1013466-14		82.0 MMF 50V 5% CER		1	C67
4	4		1017472-00		10 MFD 35V +75-10% AL EL		4	C17,C22,C69,C70
5	5		1104860-00		VZ= 3.3 5% 400 MW 1N746A		1	D1
6	6		1105275-00		PIV= 60 IO=300 MA -15NS		1	D2
7	7		9008337-02		HANDLE, FLIP CHIP, RED		2	
8	8		1219047-01		CONN .100 96SKT		1	J702
9	9		1300250-00		150.0 .25 W 5.0 % CF		2	R5,R8
10	10		1300365-00		1.0 K .25 W 5.0 % CF		7	R1,R4,R12,R13,R15,R17,R18
11	11		1301477-00		82.0 .25 W 5.0 % CF		4	R6,R7,R9,R10
12	12		1302253-00		27.0 .50 W 5.0 % CF		1	R16
13	13		1302514-00		39.0 K .25 W 5.0 % CF		1	R19
14	14		1309995-00		56.0 .50 W 5.0 % CF		1	R14
15	15		1316254-00		R NETWORK 7-470 2.0 % 8PIN		6	Z1,Z2,Z3,Z5,Z7,Z10
16	16		1318881-00		10.0 1.0 W 1.0 % RN70D-F10		1	R2
17	17		1910532-00		74S00 NAND GATE-QUAD 2IN		1	E45
18	18		1910534-00		74S04 INVERTER GATE-HEX 1I		2	E24,E60
19	19		1910544-00		74S74 FF-D DUAL,EDGE TRIGG		2	E1,E15
20	20		1910544-01		74S74-60GG-D DUAL,EDGE TRIG		1	E35
21	21		1910950-00		74S74 FF-D DUAL (-45 VERSI		1	E5
22	22		1911414-00		10124 TTL TO ECL TRNSLTR		2	E63,E64
23	23		1911415-00		10125 ECL TO TTL TRNSLTR		2	E41,E62
24	24		1911712-00		74S51 AND-OR GATE-INVERT D		1	E25
25	25		1911983-00		74S133 NAND GATE-POSITIVE 1		1	E29
26	26		1912096-00		DEC 74S86 XOR GATE,QUAD 2IN		1	E54
27	27		1912388-00		74S02 NOR GATE-QUAD 2IN,PO		2	E28,E43
28	28		1912389-00	A	74S08 AND GATE-QUAD 2IN,PO		1	E37
29	29		1912799-00		LS00 NAND-GATE-QUAD 2IN,P		2	E38,E49

REVISION HISTORY			BASIC PART NO: 5415270			DRN: SHERI LEHMAN DATE: 22-JUN-83			D I G I T A L			
ENG	ECO NUMBER	REV	SECTION A OF A			CHK'D:	SUE BOURBEAU	DATE: 22-JUN-83	TITLE PARTS LIST			
GG	5415270-CX007	F	SECTION VARIATION INDEX						SDI INTERFACE			
GG	5415270-CX009	H	[A] 01									
GG	5415270-CX009	H	[B]									
MK	5415270-CX010	J	[C]			DES.ENG:	GARRY GRAY	DATE: 22-JUN-83	DOCUMENT NUMBER			
SM	5415270-CX011	K	[D]						SIZE	CODE	NUMBER	REV
PR	5415270-CX012	L	[E]			RESP.ENG.:	GARRY GRAY	DATE: 22-JUN-83	K	PL	5415270-0-DBP	M
RC	5415270-CX013	M	[F]									
			[H]									
			[J]			MFG.ENG.:	JOHN PAPA	DATE:	RELEASE DATE: 01-DEC-84			
			[K]									
			[L]									
			[M]			ASSEMBLY NUMBER:		TOP DOCUMENT NUMBER:		FILE NAME:		EDIT #
			[N]			D-UA-5415270-0-0		B-DD-5415270-0-0		Z2152M.PLS		15

SM  
12/1/83  
12/5/84

"THIS DRAWING AND THE SPECIFICATIONS CONTAINED HEREIN ARE CONFIDENTIAL AND PROPRIETARY. THEY ARE THE PROPERTY OF DIGITAL EQUIPMENT CORPORATION AND SHALL NOT BE REPRODUCED OR COPIED OR USED IN WHOLE OR IN PART AS THE BASIS FOR THE MANUFACTURE OR SALE OF ITEMS WITHOUT WRITTEN PERMISSION. THIS IS AN UNPUBLISHED WORK PROTECTED UNDER THE FEDERAL COPYRIGHT LAWS."

AUTOMATED BY PRSUD.2B(4)

LINE ITEM TOP DOCUMENT

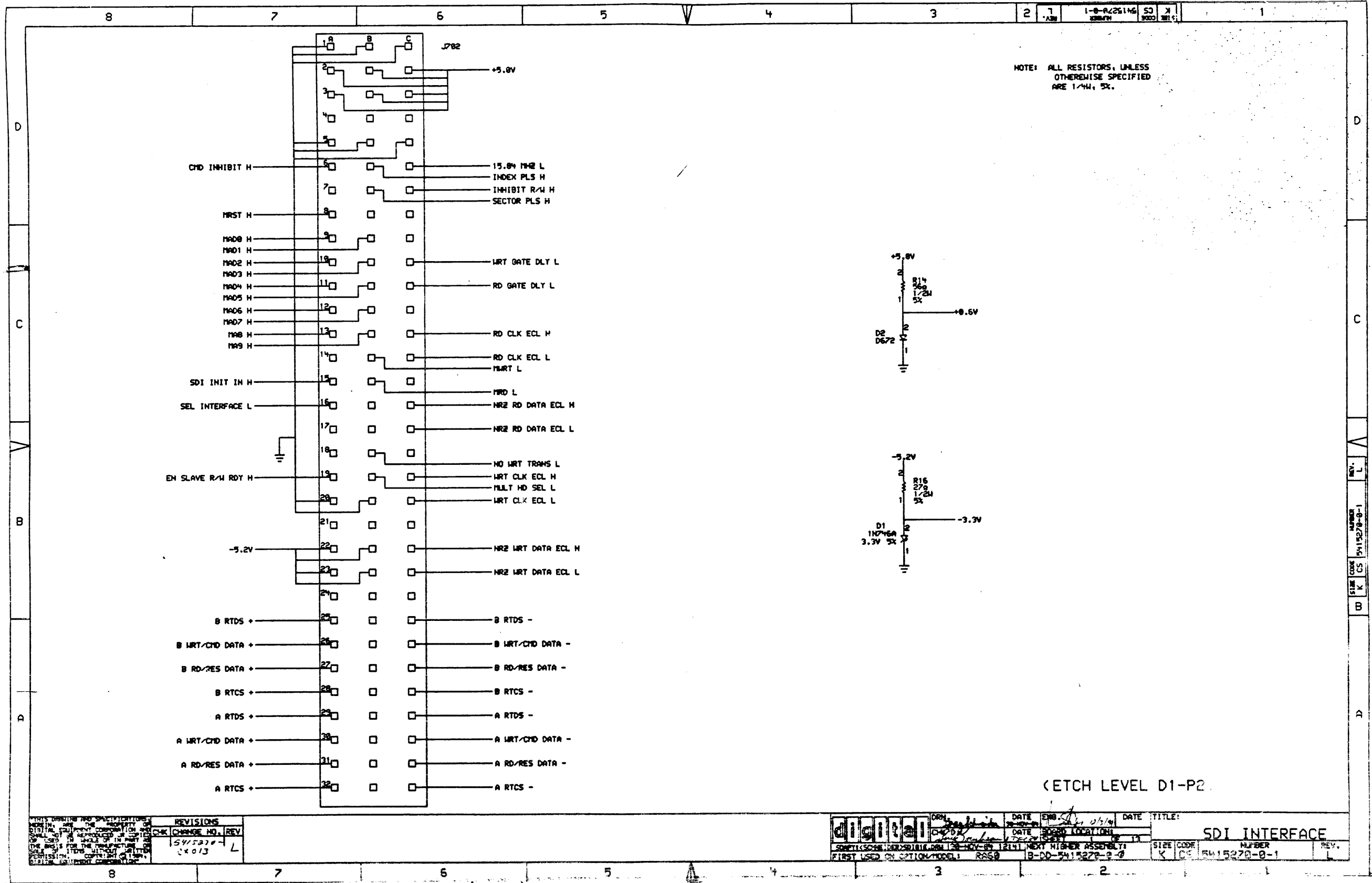
PARTS LIST

QTY PER VARIATION

REFERENCE DESIGNATOR

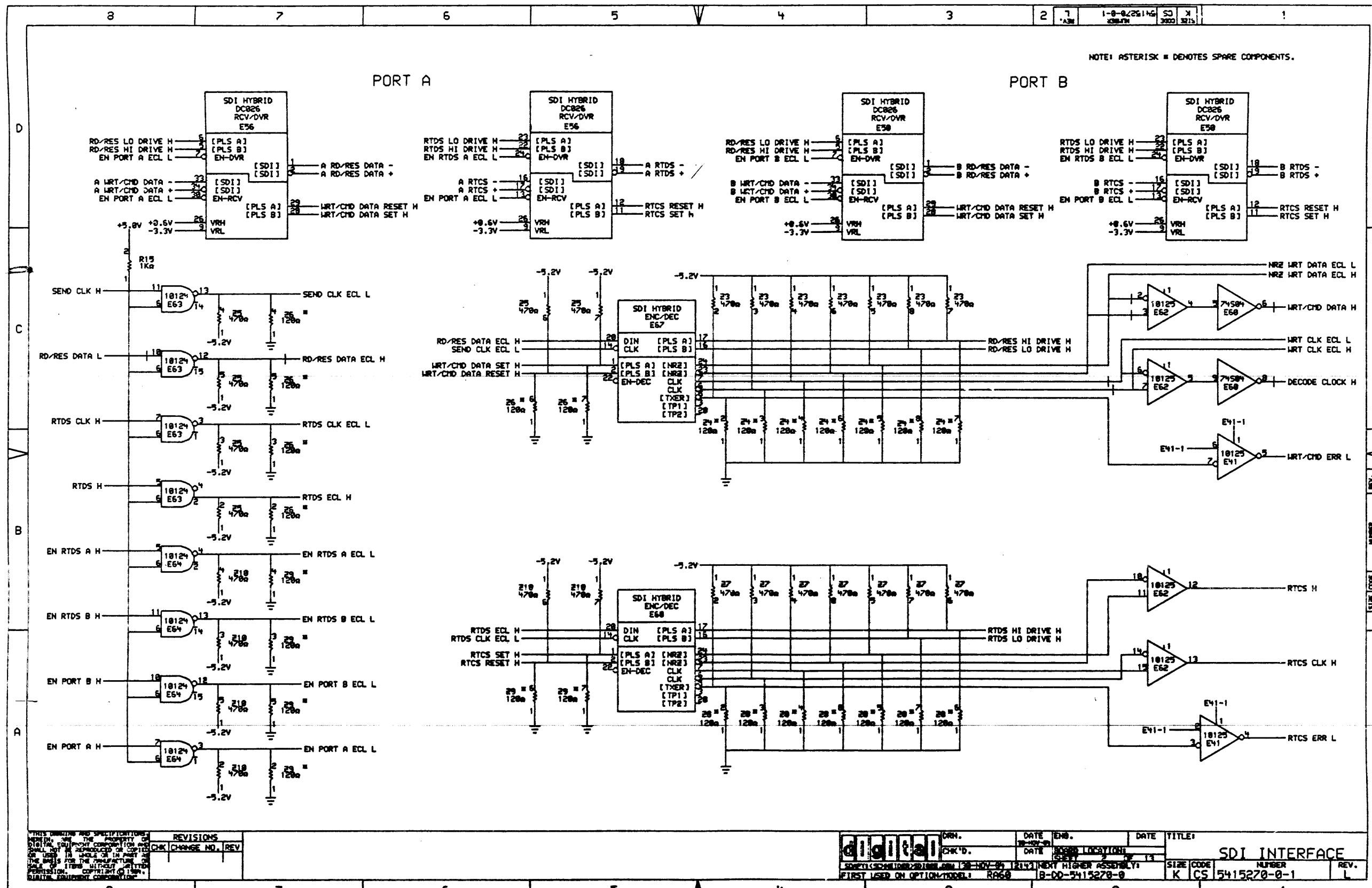
LINE ITEM	TOP DOCUMENT	PART NUMBER	MIN REV	DESCRIPTION	VARIATION	REVISION LEVEL	QTY	REFERENCE DESIGNATOR
30	30	1912803-00		LS04	INVERTER GATE,HEX		4	E9,E20,E22,E39
31	31	1912805-00		LS08	AND GATE-QUAD 2IN,PO		1	E33
32	32	1912808-00		LS11	AND GATE-TRIPLE 3IN		1	E16
33	33	1912815-00		LS30	NAND GATE-SINGLE 8IN		1	E48
34	34	1912816-00		LS32	OR GATE-QUAD 2IN,POS		2	E34,E13
35	35	1912824-00		LS74	FF-D DUAL,EDGE TRIGG		2	E55,E69
36	36	1912837-00		LS123	ONE SHOT-DUAL,RETRIG		1	E70
37	37	1912846-00		LS155	DECODER,2 OF 4(DUAL)		1	E26
38	38	1912848-00		LS158	MUX 1 OF 2 (QUAD)		1	E10
39	39	1912849-00		LS161	COUNTER,SYNCHR,4BIT		2	E2,E8
40	40	1912850-00		LS164	SHIFT REG. 8BIT SERI		2	E23,E40
41	41	1912853-00		LS175	FF-D QUAD		1	E14
42	42	1912857-00		LS197	COUNTER,BINARY,PRESET		1	E66
43	43	1912864-00		LS279	LATCH,QUAD-S-R		2	E44,E52
44	44	1912868-00		LS299	SHIFT REG. 8-BIT UNI		4	E3,E4,E58,E59
45	45	1912872-00		LS377	FF-D 8BIT W/ENABLE		2	E32,E42
46	46	1914084-00		74S299	SHIFT REG.,8BIT RIGH		4	E11,E12,E18,E57
47	47	1915193-00		LS244	DRIVER,LINE,OCTAL,T		2	E46,E47
48	48	1915218-00		LS245	TRANSCEIVER,BUS,OCT		1	E51
49	49	1915219-01	C	LS373	FF-D,OCTAL,TRI-STATE		1	E21
50	50	1918073-00		DC 703	400 GATE ARRAY		1	E19
51	51	1918747-00			SDI ENCODER/DECODER,		2	E67,E68
52	52	1918748-01			SDI/STI RECEIVER/DRI		2	E50,E56
53	53	23019K5-00		K5-01			1	E31
54	54	23020K5-00		K5-01			1	E27
55	55	23099K5-00		K5-01			1	E6
56	56	23194J5-00		J5-01	PAL,LOGIC		1	E17
57	57	23342A1-00		A1-07			1	E53
58	58	9006732-00			EYELET,ROLLED 0.1210DX0.219		4	
59	59	9009185-00			JUMPER, WIRE, INSULATED, BLACK B		1	W1
60	60	9010489-01	A		RIVET SEMI-TUBE OVAL .099DI		2	

D	I	G	I	T	A	L	TITLE	SECTION A OF A	SIZE	CODE	DOCUMENT NUMBER	REV
							SDI INTERFACE		K	PL	5415270-0-DBP	M



REV	CHG	NO.	DATE
1	5415270	L	2013

DATE	ENG	DATE	TITLE
NOV-09-12	CS		SDI INTERFACE
DATE	LOC	DATE	LOC
SIZE	CODE	NUMBER	REV.
K	CS	5415270-0-1	L



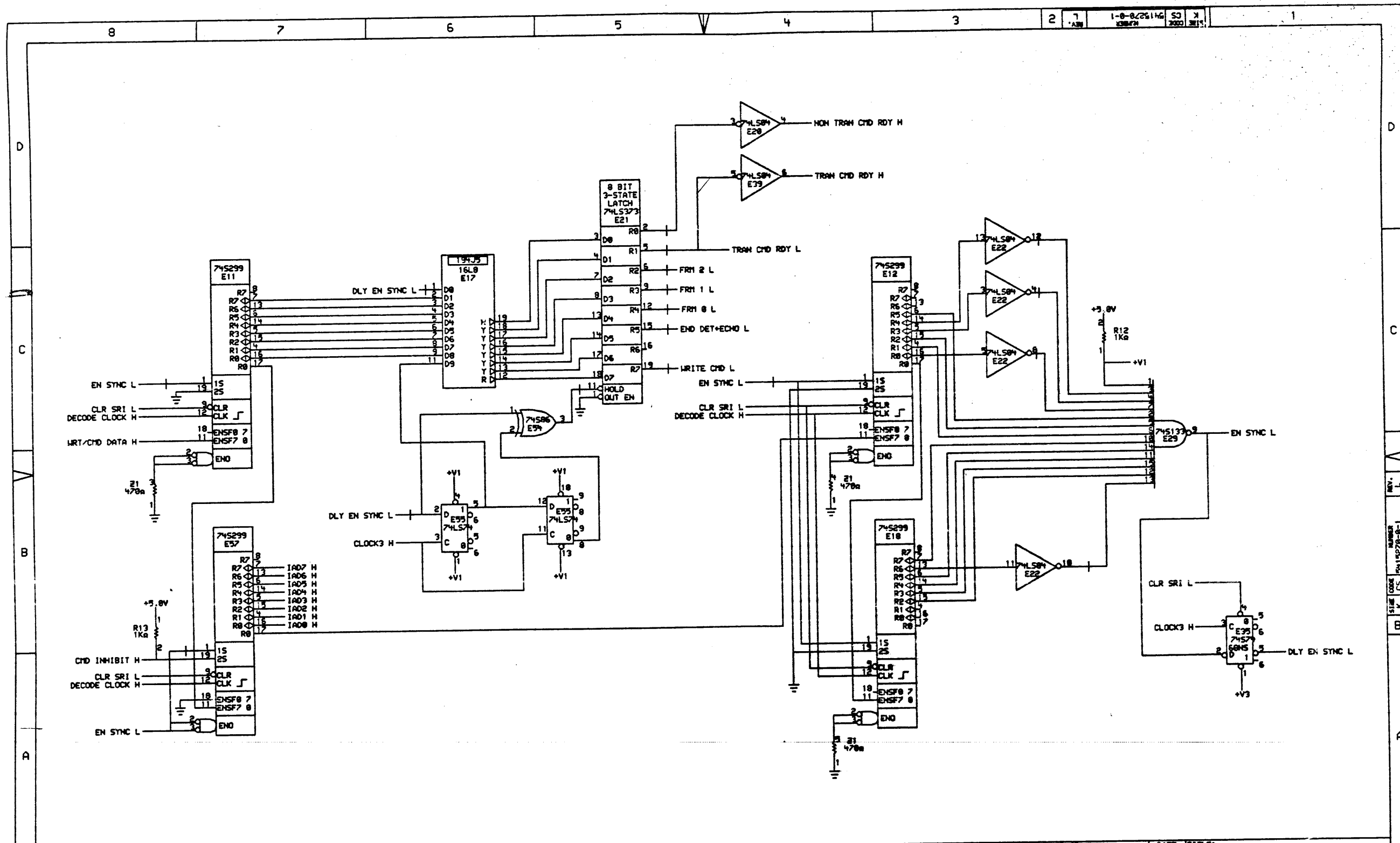
NOTE: ASTERISK = DENOTES SPARE COMPONENTS.

THIS DRAWING AND SPECIFICATIONS ARE THE PROPERTY OF DIGITAL EQUIPMENT CORPORATION AND SHALL NOT BE REPRODUCED OR COPIED IN ANY MANNER OR IN ANY MEDIUM WITHOUT THE WRITTEN PERMISSION OF DIGITAL EQUIPMENT CORPORATION.

REVISIONS	
CHK	CHANGE NO. REV

	DATE	DATE	DATE	TITLE
	CHK'D.	DATE	DATE	LOCATION
SDI INTERFACE FIRST USED ON OPTION MODEL: R669				SIZE CODE NUMBER REV. K CS 5415270-0-1 L





REV. NO.	DATE	BY	CHK'D.	DATE	BY

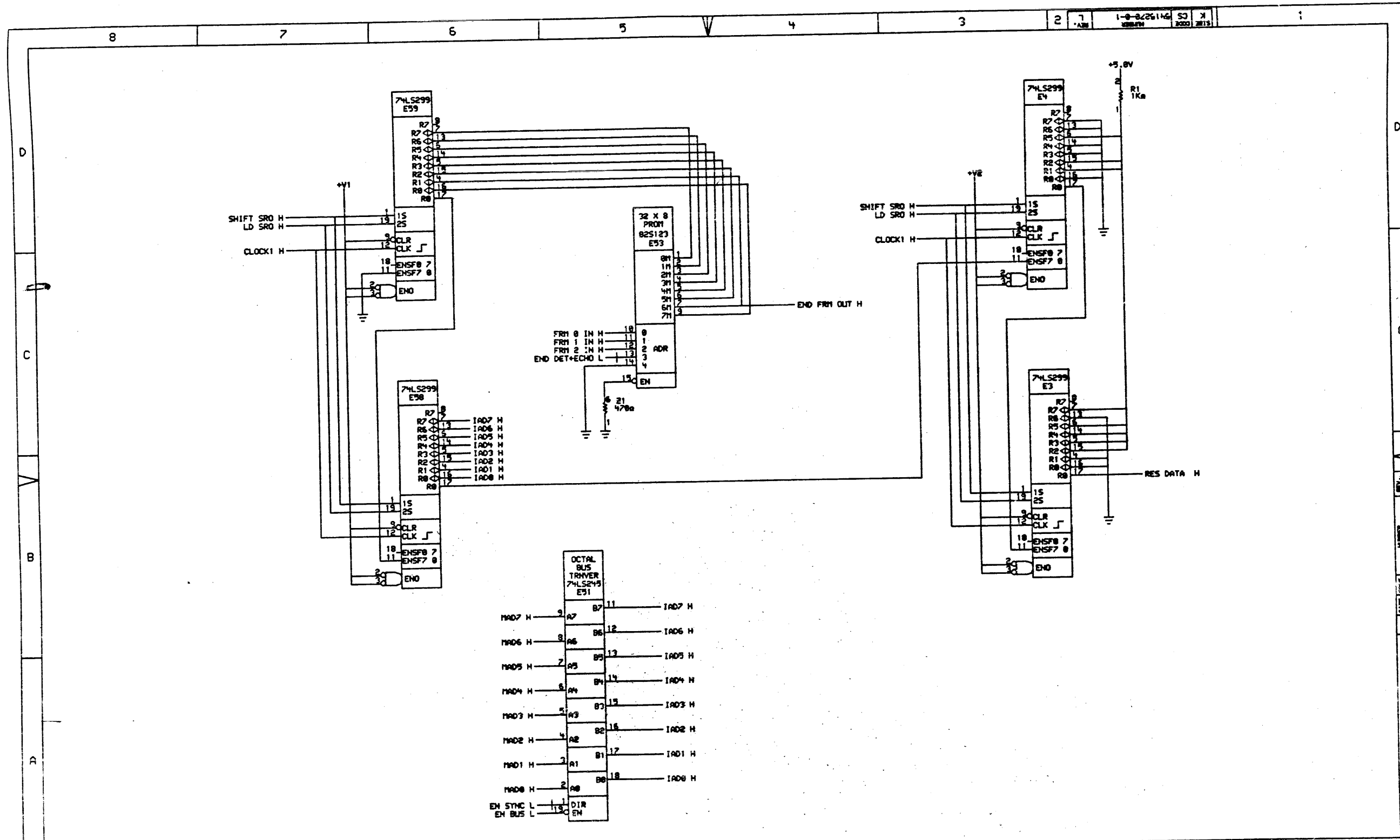
REV. NO.	DATE	BY	CHK'D.	DATE	BY

REV. NO.	DATE	BY	CHK'D.	DATE	BY

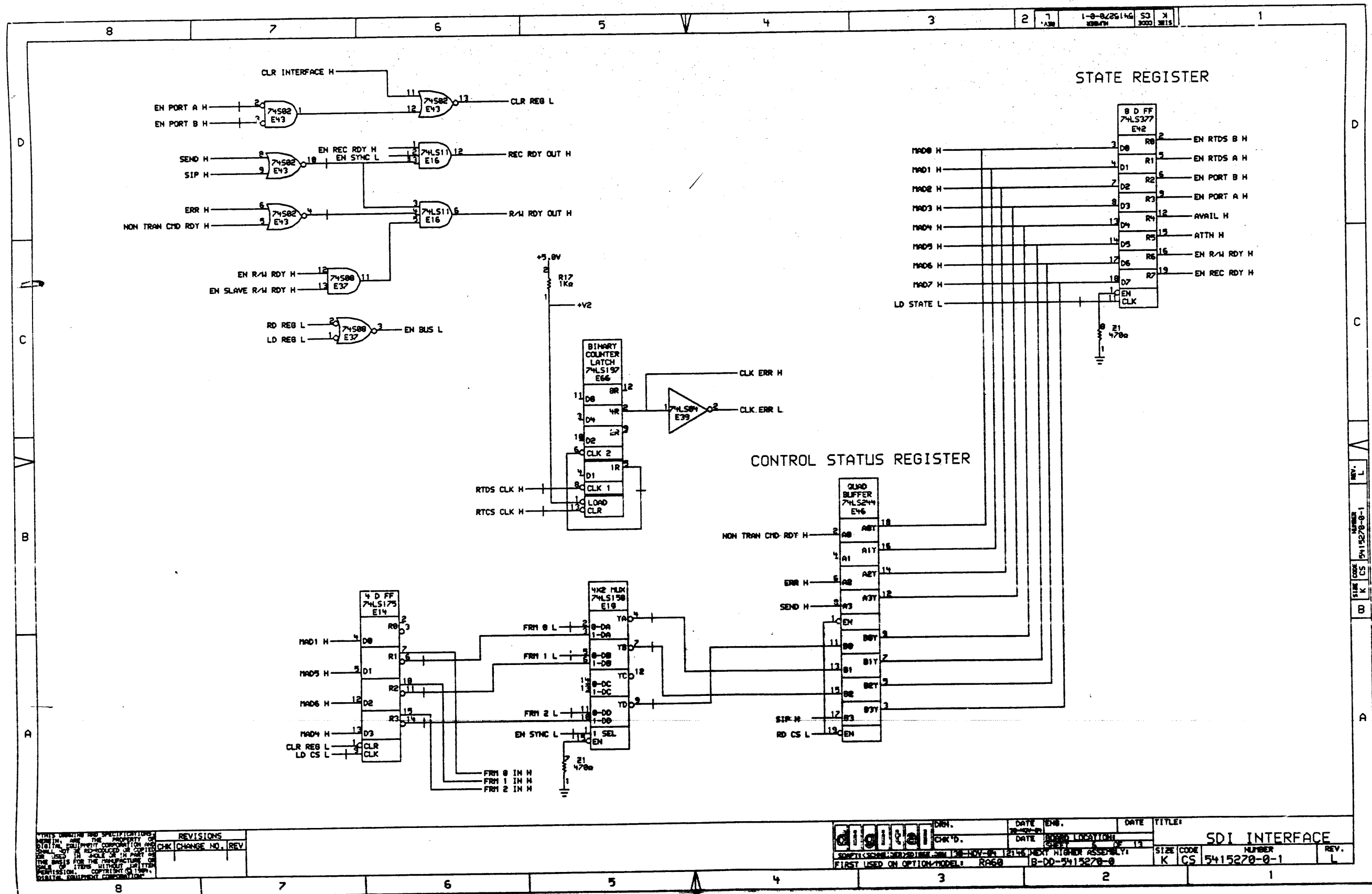
REV. NO.	DATE	BY	CHK'D.	DATE	BY

TITLE: SDI INTERFACE  
 NUMBER: 5415270-0-1  
 SIZE CODE: K CS  
 FIRST USED ON OPTION MODEL: RAG0  
 B-DD-5415270-0

NUMBER: 5415270-0-1  
 SIZE CODE: K CS  
 REV. L



OCTAL BUS TRNVER 74LS245 E51			
FRM0 H	1	A7	B7
FRM1 H	2	A6	B6
FRM2 H	3	A5	B5
FRM3 H	4	A4	B4
FRM4 H	5	A3	B3
FRM5 H	6	A2	B2
FRM6 H	7	A1	B1
FRM7 H	8	A0	B0
EN SYNC L	1	DTR	
EN BUS L	2	EN	



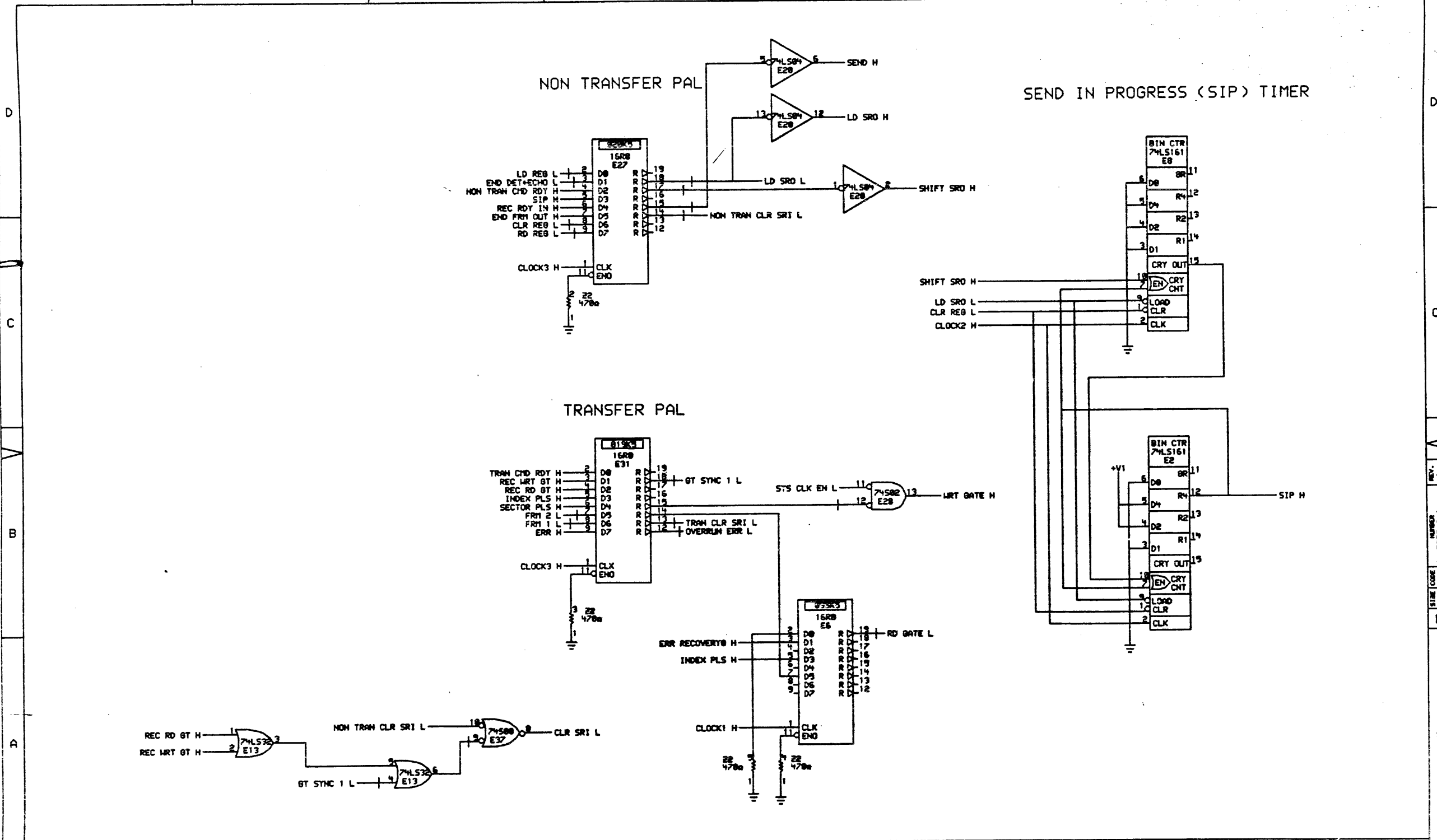
THIS DRAWING AND SPECIFICATIONS ARE THE PROPERTY OF DIGITAL EQUIPMENT CORPORATION AND ARE TO BE USED IN WHOLE OR IN PART AS THE BASIS FOR THE MANUFACTURE OF THIS PRODUCT WITHOUT LETTER PERMISSION. COPYRIGHT © 1974 DIGITAL EQUIPMENT CORPORATION.

REVISIONS	
CHK	CHANGE NO. REV

	DRN.	DATE	ENR.	DATE	TITLE
	CHK'D.	DATE			SDI INTERFACE
FIRST USED ON OPTION MODEL: RA69					SIZE CODE: K CS NUMBER: 5415270-0-1 REV.: L

REV. L  
 NUMBER 5415270-0-1  
 SIZE CODE CS  
 K CS





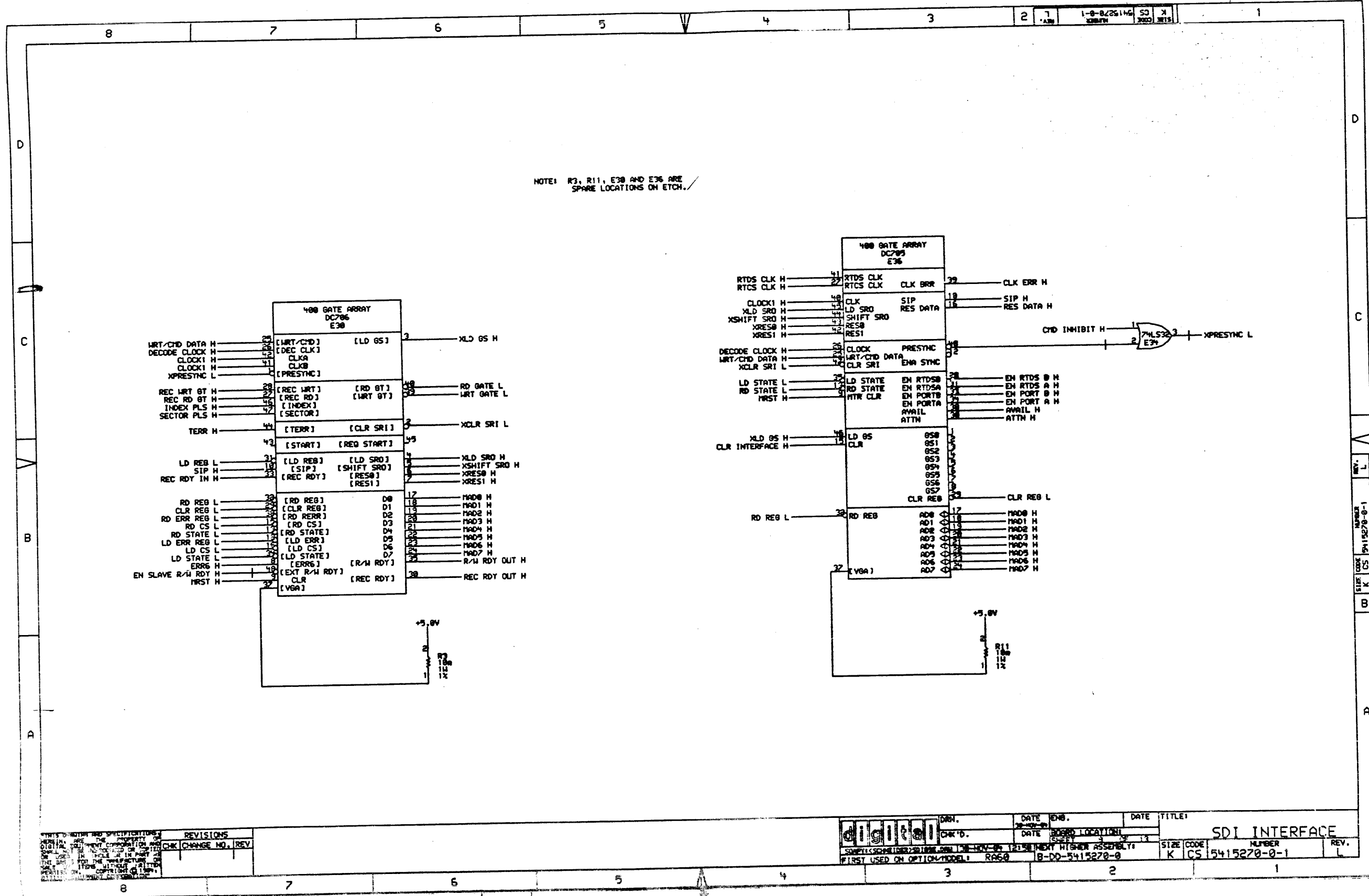
THIS DESIGN AND SPECIFICATIONS ARE THE PROPERTY OF...  
 ALL RIGHTS RESERVED...  
 NO PART OF THIS DOCUMENT IS TO BE REPRODUCED OR TRANSMITTED IN ANY FORM OR BY ANY MEANS, ELECTRONIC OR MECHANICAL, INCLUDING PHOTOCOPYING, RECORDING, OR BY ANY INFORMATION STORAGE AND RETRIEVAL SYSTEM, WITHOUT PERMISSION IN WRITING FROM THE MANUFACTURER.

REV.	CHG	CHANGE NO.	REV.

REV.	DATE	ENG.	DATE	TITLE

	DATE ENG. 20-10-81 DATE 20-10-81 DATE 20-10-81 DATE 20-10-81	DATE 20-10-81 DATE 20-10-81 DATE 20-10-81 DATE 20-10-81	TITLE: SDI INTERFACE SIZE CODE: K CS NUMBER: 5415270-0-1 REV.: 1
--	---	--	---





REVISIONS	
CHK	CHANGE NO. / REV.

	DATE	ENB.	DATE	TITLE
				SDI INTERFACE
SIZE CODE NUMBER K CS 5415270-0-1	DATE 18-NOV-85	BOARD LOCATION INDEX HIGHEN ASSEMBLY	FIRST USED ON OPTION MODEL RAS0	B-D0-5415270-0





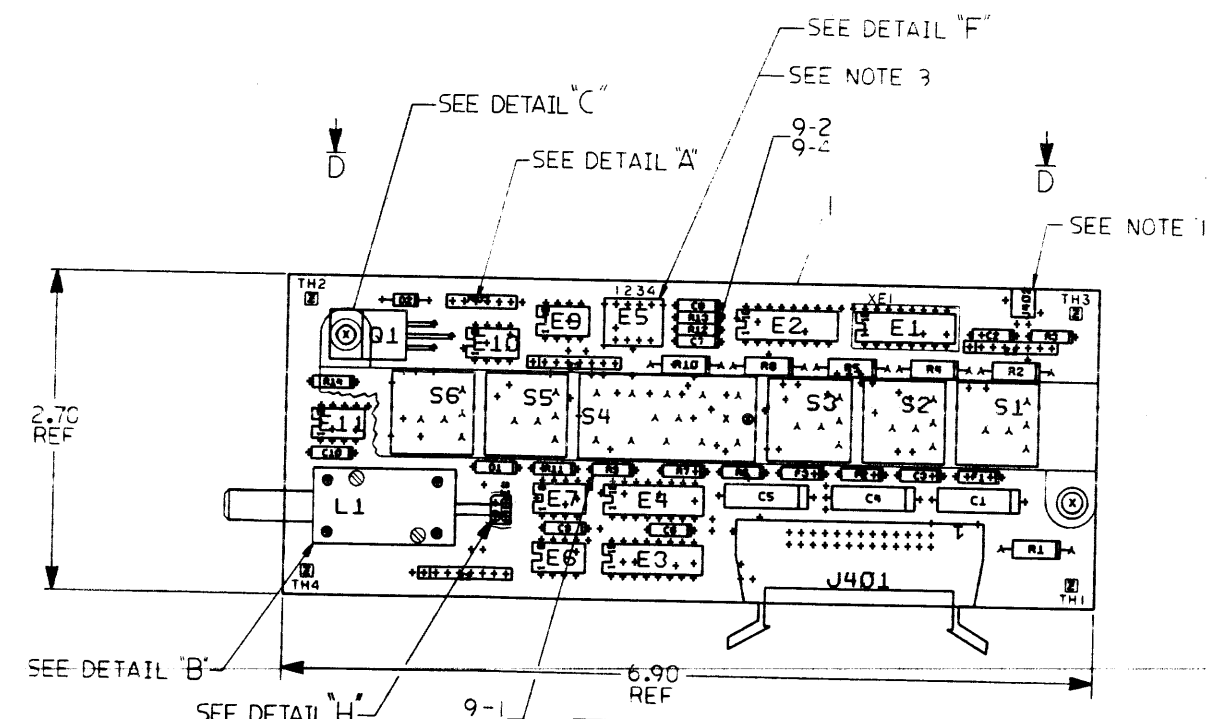




THIS DRAWING AND SPECIFICATIONS HEREIN ARE THE PROPERTY OF DIGITAL EQUIPMENT CORPORATION AND SHALL NOT BE REPRODUCED OR COPIED OR USED IN WHOLE OR IN PART AS THE BASIS FOR THE MANUFACTURE OR SALE OF ITEMS WITHOUT WRITTEN PERMISSION.  
 COPYRIGHT © 1964 DIGITAL EQUIPMENT CORPORATION

0-0-222145 0 2 1

COMPONENT SIDE VIEW



NOTES: 1. J402 IS OPTIONAL AND NOT INSTALLED.  
 2. CEMENT SADDLE TO SOLENOID FRAME WITH ITEM: 44, ADHESIVE AND ITEM: 45, ACTIVATOR.  
 3. HARDWARE REV TO BE SET TO REV 1 PER DETAIL "F".

STEP E → Y AXIS 2.70 STEP 2 TIMES 2AC73  
 REPEAT → X AXIS 6.90 STEP 1 TIMES

CHK/CHANGE NO	REV	F	I	J
5415272 -				
CX007				
WM 26 JUN 64				
A. MILLER				
5415272 -				
CX009				
WM APR 65				
A. MILLER				
5415272				
CX010				
WM 22 MAY 66				
A. MILLER				
5415272				
CX011				
WM 22 MAY 66				
A. MILLER				

ETCH REV. E1 - P2

SIGNATURES	DATE	TITLE
DRN. <i>[Signature]</i>	27 Feb 64	digital
CHK. <i>[Signature]</i>		
MECH. ENG. <i>[Signature]</i>		
PROJ. ENG. <i>[Signature]</i>		
PROD. <i>[Signature]</i>		
SCALE 1/5/1		
SHT. 1 OF 3		
NEXT HIGHER ASSY. B-DD-5415272-0-0		

SIZE	CODE	NUMBER	REV
0	UA	5415272-0-0	J
1 MS#290504E			

DUA 5415272-0-0

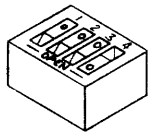
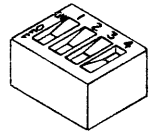
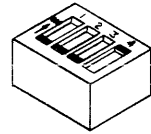
1 of 3



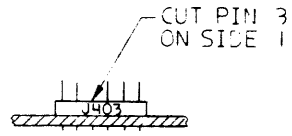
10-0-212514570 2

THIS DRAWING AND SPECIFICATIONS HEREIN ARE THE PROPERTY OF DIGITAL EQUIPMENT CORPORATION AND SHALL NOT BE REPRODUCED OR COPIED OR USED IN WHOLE OR IN PART AS THE BASIS FOR THE MANUFACTURE OR SALE OF ITEMS WITHOUT WRITTEN PERMISSION. COPYRIGHT © 1984 DIGITAL EQUIPMENT CORPORATION

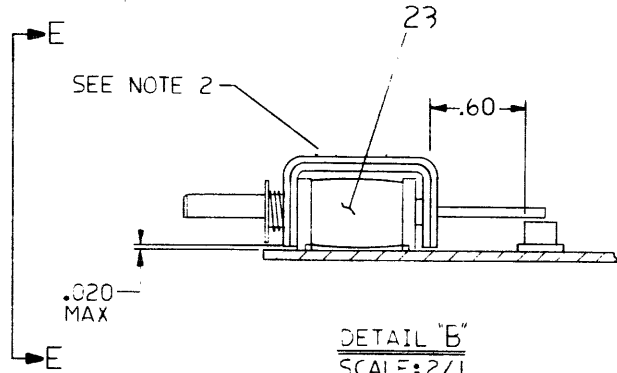
HARDWARE REV 1 INDICATED BY FOLLOWING SWITCH POSITIONS.



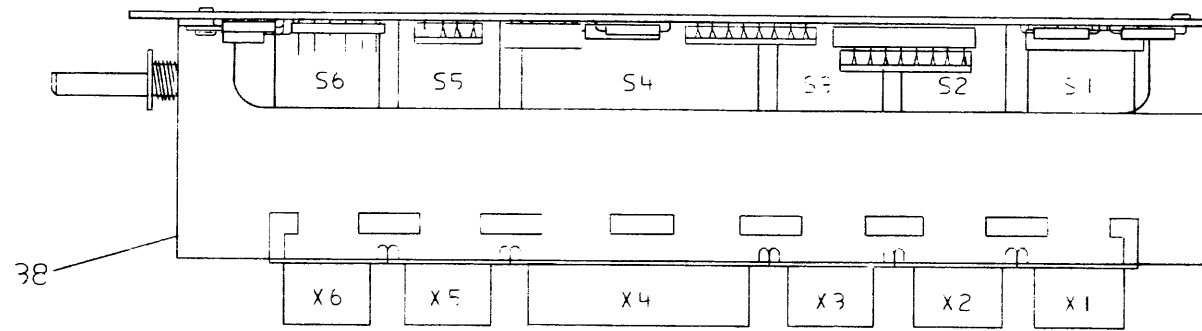
DETAIL "F"  
NO SCALE



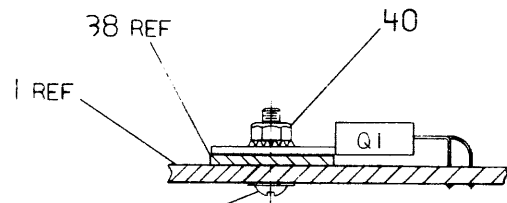
DETAIL "A"  
SCALE: 2/1



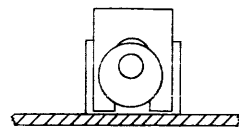
DETAIL "B"  
SCALE: 2/1



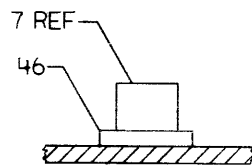
VIEW D-D  
SCALE: 2/1



DETAIL "C"  
SCALE: 4/1



VIEW E-E  
SCALE 2/1



DETAIL "H"  
SCALE: 4/1

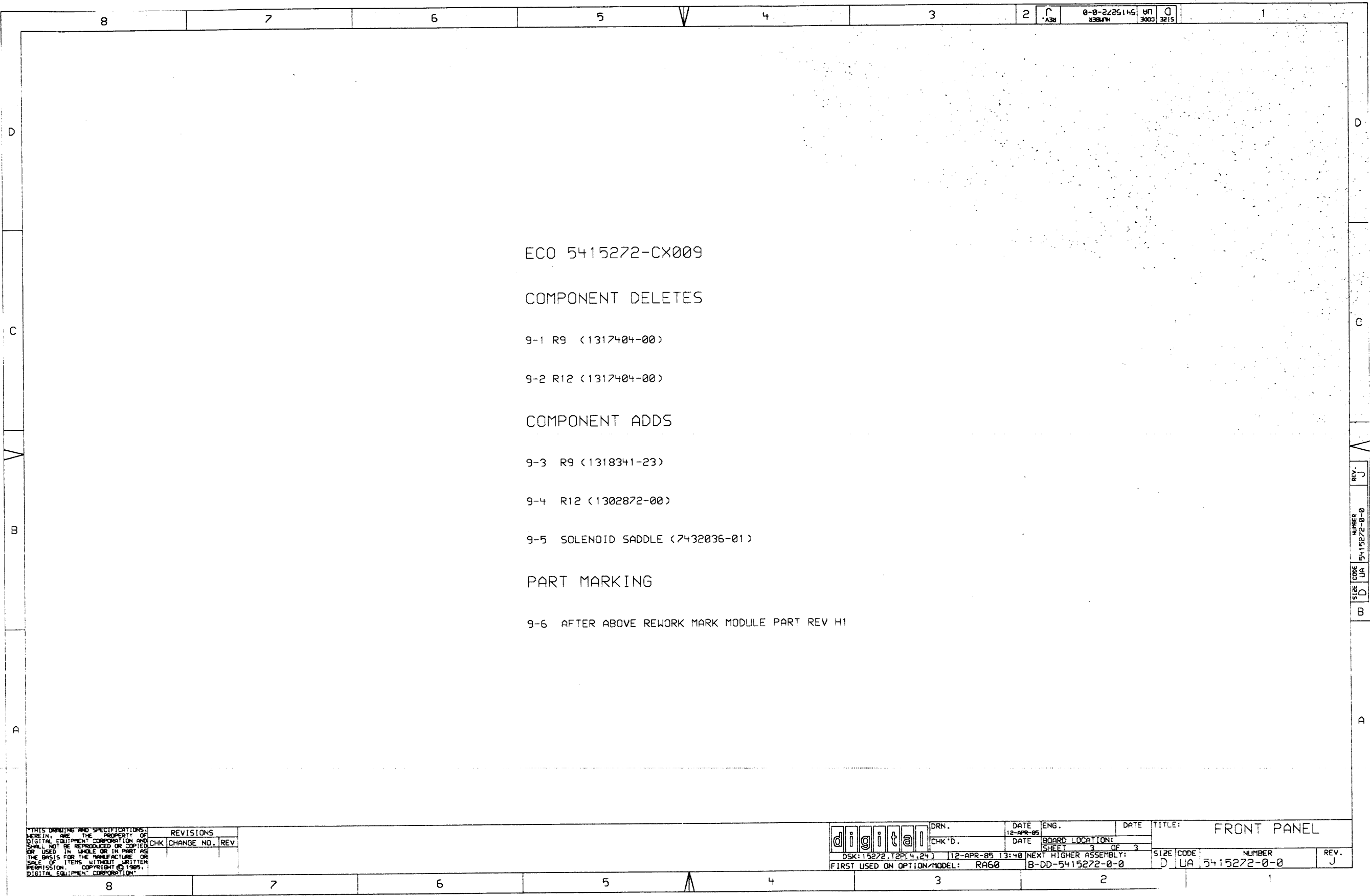
REVISIONS		
CHK	CHANGE NO	REV

TITLE	SIZE CODE	NUMBER	REV.
FRONT PANEL	D UA	5415272-0-0	J
SCALE	SHEET	2 OF 3	DIST

D UA 5415272-0-0 J

DUA 5415272-0-0

2 of 2



ECO 5415272-CX009

COMPONENT DELETES

9-1 R9 (1317404-00)

9-2 R12 (1317404-00)

COMPONENT ADDS

9-3 R9 (1318341-23)

9-4 R12 (1302872-00)

9-5 SOLENOID SADDLE (7432036-01)

PART MARKING

9-6 AFTER ABOVE REWORK MARK MODULE PART REV H1

THIS DRAWING AND SPECIFICATIONS ARE THE PROPERTY OF DIGITAL EQUIPMENT CORPORATION AND SHALL NOT BE REPRODUCED OR COPIED OR USED IN WHOLE OR IN PART AS THE BASIS FOR THE MANUFACTURE OR SALE OF ITEMS WITHOUT WRITTEN PERMISSION. COPYRIGHT © 1985 DIGITAL EQUIPMENT CORPORATION.

REVISIONS		
CHK	CHANGE NO.	REV

**digital**

DRN.	DATE	ENG.	DATE	TITLE:
	12-APR-85			FRONT PANEL
CHK'D.	DATE	BOARD LOCATION:		
		SHEET 3 OF 3		
DSK:15272.T2P14.24		12-APR-85 13:40	NEXT HIGHER ASSEMBLY:	
FIRST USED ON OPTION/MODEL: RA60		B-DD-5415272-0-0	SIZE CODE:	

NUMBER	REV.
5415272-0-0	J

DWA 5415272-0-0

3 of 3

LINE	ITEM	TOP DOCUMENT	PART NUMBER	MIN REV	DESCRIPTION	VARIATION REVISION LEVEL:	QTY PER VARIATION	REFERENCE DESIGNATOR
							O1 H2	
1	1	B-DD-5015271-0	5015271-01	E	DRILL AND ETCH BOARD		1	
2	2		1000079-00		47 MFD 20V 20% S.TANT		1	C5
3	3		1001610-00		.01 MFD 50V +80-20% Z5U CER		7	C2,C3,C6,C7,C8,C9,C10
4	4		1017472-00		10 MFD 35V +75-10% AL EL		2	C1,C4
5	5		1105796-00		FIV= 400 IO= 1.00A 1N4004 DO-41		1	D1
6	6		1114974-00		VZ= 11.0 5% 1 W 1N4741A		1	D2
7	7		1122949-01		SENSOR, REFLECTIVE OBJECT		1	E8
8	8		1211164-00		SW, DIP 4POS/1PST 5VDC100MA F		1	E5
9	9		1211751-00		FUSE, SUB-MINI, 2.000A, 125V, A		3	F1,F2,F3
10	10		1212714-00		CAP, PB SW YELLO/BLK *RUN ST		1	X6
11	11		1212714-01		CAP, PB SW YELLO/BLK *WRITE		1	X3
12	12		1212714-02		CAP, PB SW RED/BLK *FAULT*		1	X5
13	13		1212714-03		CAP, PB SW WHITE/BLK *A*		1	X2
14	14		1212714-04		CAP, PB SW WHITE/BLK *B*		1	X1
15	15		1212716-00		LAMP, WEDGE, 6.3V, .2A, .4MSCP, T1-3/		6	I1,I2,I3,I4,I5,I6
16	16		1212717-01		SW, PB 1PDT ALT 2A		4	S1,S2,S3,S6
17	17		1212717-06		SW, PB, LT 1PDT MOM 2A		1	S5
18	18		1215006-02		SKT, IC 16PIN DIP TIN SOLD		1	XE1
19	19		1215901-03		PCB, HEADER 06PIN(1X05).100CC STR		1	J403
20	20		1216832-01		PCB, HEADER 26POS(2X13).100CC 90D		1	J401
21	21		1218198-00		SW, ENCODER 256 CODES 10M		1	S4
22	22		1218199-00		LENS, ENCODER SW		1	X4
23	23		1223194-01		SOLENOID, COVER LOCK		1	L1
24	24		1300228-00		100.0 .50 W 5.0 % CF		6	R1,R2,R4,R5,R8,R10
25	25		1300316-00		470.0 .25 W 5.0 % CF		1	R6
26	26		1300365-00		1.0 K .25 W 5.0 % CF		2	R3,R14
27	27		1311523-00		110.0 .25 W 5.0 % CF		2	R11,R13
28	28		1312928-00		51.0 .25 W 5.0 % CF		1	R7
29	29		1316254-02		R NETWORK 7-1.0K 2.0 % 8PIN		3	Z1,Z2,Z3
30	30		1317404-00		*** THIS ITEM IS NOT USED ***		-	

REVISION HISTORY			BASIC PART NO: 5415272			DRN: JERRI JASON DATE: 12-APR-84			DIGITAL		
ENG	ECD NUMBER	REV	SECTION A OF A		CHK'D:	SUE BOURBEAU	DATE: 12-APR-84	TITLE PARTS LIST			
AM	5415272-CX007	H	SECTION VARIATION INDEX		CHK'D:	SUE BOURBEAU	DATE: 12-APR-84	FRONT PANEL			
AM	5415272-CX009	J	[A] 01								
AM	5415272-CX010	K	[B]								
			[C]								
			[D]								
			[E]								
			[F]								
			[H]								
			[J]								
			[K]								
			[L]								
			[M]								
			[N]								
			MFG.ENG.: JOHN PAPA			DATE: 12-APR-84			DOCUMENT NUMBER:		
			ASSEMBLY NUMBER:			TOP DOCUMENT NUMBER:			FILE NAME:		
			D-UA-5415272-0-0			B-DD-5415272-0-0			Z2153K.PLS		
						RELEASE DATE: 28-MAY-85			REV		
									K		

*JMB*  
*5/2/85*

"THIS DRAWING AND THE SPECIFICATIONS CONTAINED HEREIN ARE CONFIDENTIAL AND PROPRIETARY. THEY ARE THE PROPERTY OF DIGITAL EQUIPMENT CORPORATION AND SHALL NOT BE REPRODUCED OR COPIED OR USED IN WHOLE OR IN PART AS THE BASIS FOR THE MANUFACTURE OR SALE OF ITEMS WITHOUT WRITTEN PERMISSION. THIS IS AN UNPUBLISHED WORK PROTECTED UNDER THE FEDERAL COPYRIGHT LAWS."

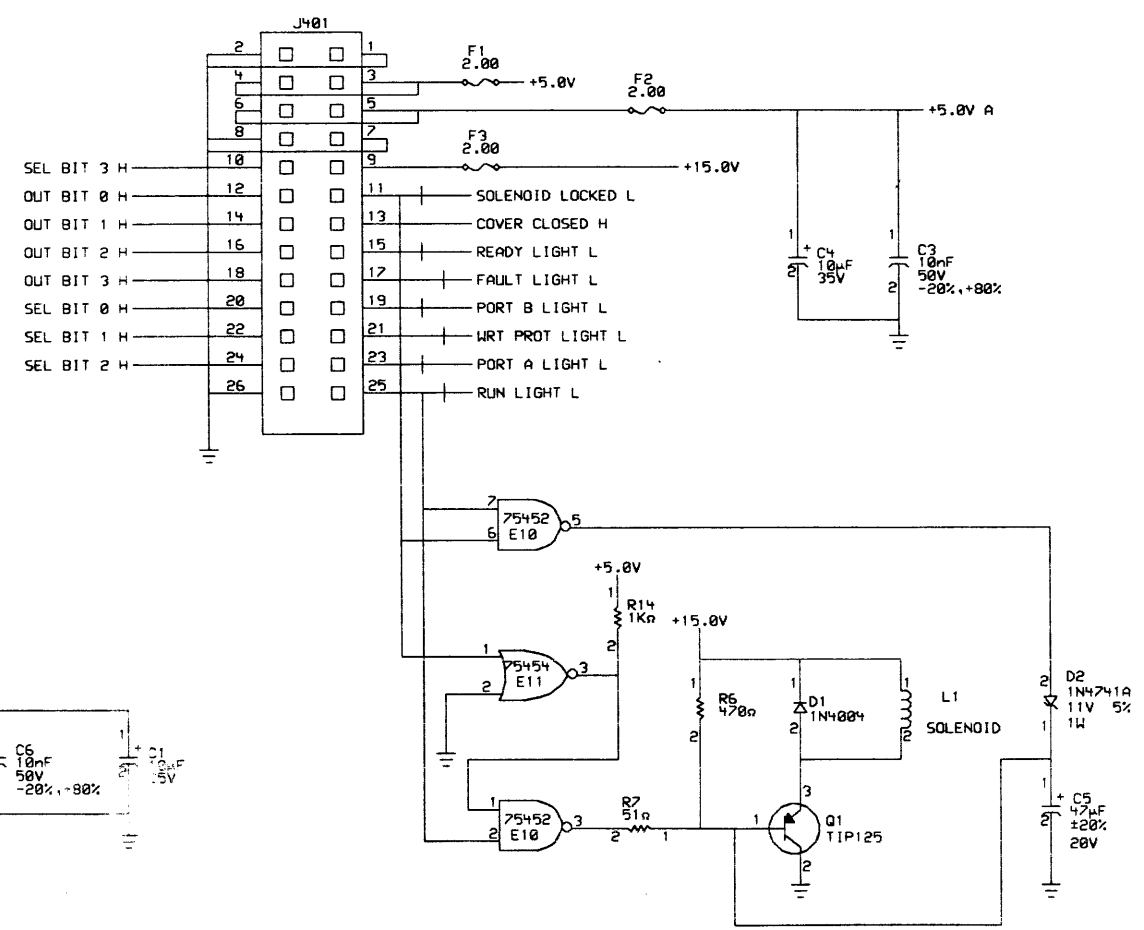
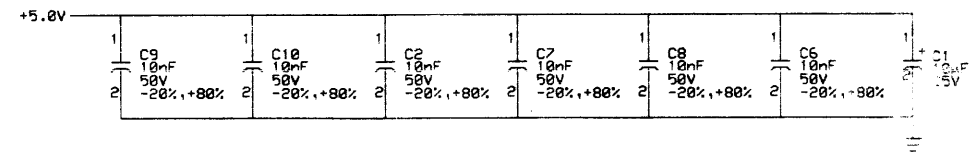
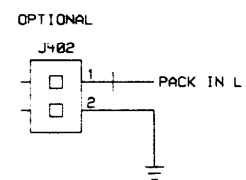
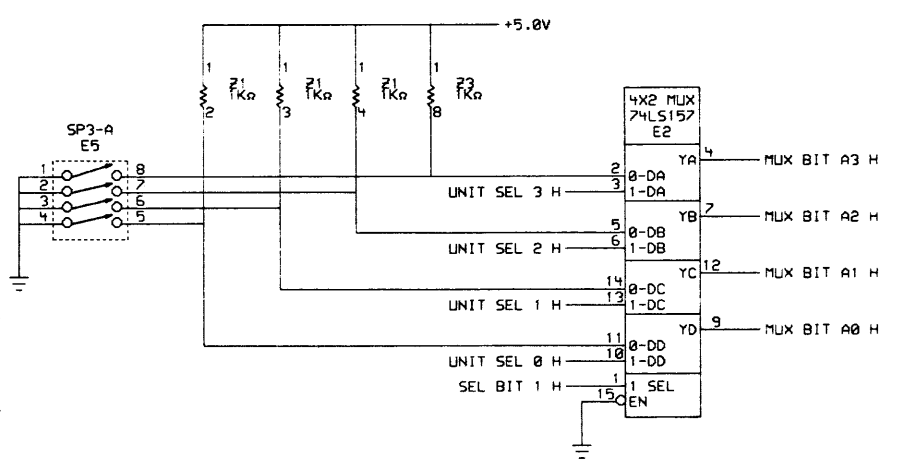
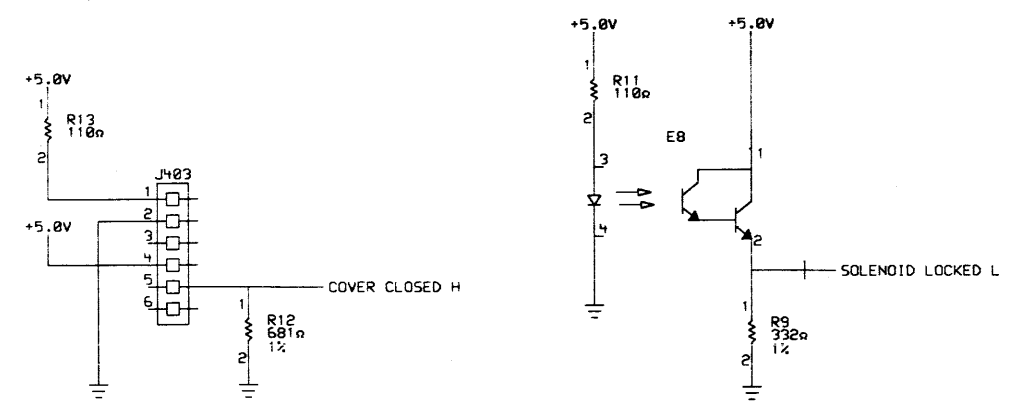
PARTS LIST

LINE ITEM	TOP DOCUMENT	PART NUMBER	MIN REV	DESCRIPTION	QTY PER VARIATION	REFERENCE DESIGNATOR
				VARIATION REVISION LEVEL:	01	
					H2	
31	31	1514509-00		TIP 125 PNP 65W SI 60 500 8A	1	Q1
32	32	1910406-00		75451 DRIVER, PERIPH, DUAL,	3	E6, E7, E9
33	33	1910645-00		75452 DRIVER, PERIPH, DUAL,	1	E10
34	34	1912646-00		LS253 MUX 1 OF 4 (DUAL)	2	E3, E4
35	35	1912847-00		LS157 MUX 1 OF 2 (QUAD)	1	E2
36	36	1914432-00		75454 DRIVER, PERIPH, DUAL,	1	E11
37	37	23A1 -07		32X 8 , TTL, PROM, TRI STA,	1	E1
38	38	7425953-01		BRACKET, SWITCH RETAINER	1	
39	39	9006010-01		SCREW, MACH PAN PHIL 4-	2	
40	40	9006557-00		NUT, HEX EXT TOOTH LCKWSHR 4-40	2	
41	41	1318341-23		332.0 .25 W 1.0 % RN550-F10	1	R9
42	42	1302872-00		681.0 .25 W 1.0 % RN55D-F1	1	R12
43	43	7432036-01		SADDLE FOR SOLENOID	1	
44	44	4901578-01		ADHESIVE, CYANOACRYLATE, MODIFIED	A/R	
45	45	4901401-00		ADHESIVE, ACCELERATOR	A/R	
46	46	9006707-00		WASHER, FLAT NYLON	1	

47 NOTE: 1. BLANK PROM WILL NOT WORK. THIS PROM MUST BE PROGRAMMED AND CONTAIN  
 48 NOTE: THE SERIAL NUMBER OF THE SPECIFIC DRIVE.

D	I	G	I	T	A	L	TITLE	SECTION A OF A	SIZE	CODE	DOCUMENT NUMBER	REV
							FRONT PANEL		K	PL	5415272-0-DBP	K

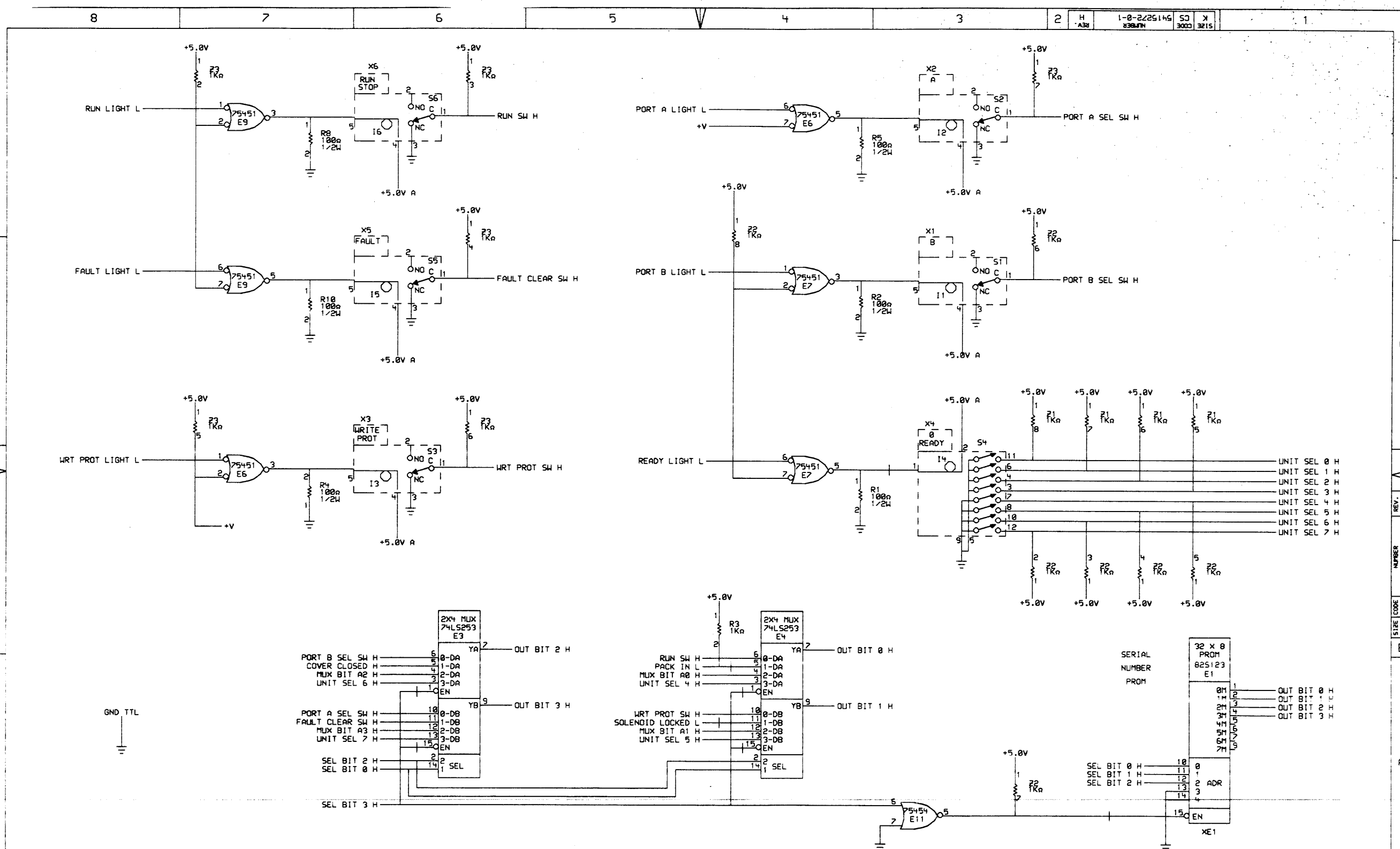
NOTE: ALL RESISTORS, UNLESS OTHERWISE SPECIFIED ARE 1/4W, 5%. ALL CAPACITORS, UNLESS OTHERWISE SPECIFIED ARE +50%, -10%.



THIS DRAWING AND SPECIFICATIONS ARE THE PROPERTY OF DIGITAL EQUIPMENT CORPORATION AND SHALL NOT BE REPRODUCED OR COPIED OR USED IN WHOLE OR IN PART AS THE BASIS FOR THE MANUFACTURE OR SALE OF ITEMS WITHOUT WRITTEN PERMISSION OF DIGITAL EQUIPMENT CORPORATION.

REVISIONS		
CHK	CHANGE NO.	REV
	15415272-0-1	1
	02-09	1

digital	DRN. G. SCHNEIDER	DATE 08-APR-85	ENG. 11/85	DATE	TITLE: FRONT PANEL
	CHK. D. SCHNEIDER	DATE 12-APR-85	SHEET 1 OF 3	BOARD LOCATION:	
SOAPP: (SCHNEIDER) FP01.DRW 108-APR-85 07:31 NEXT HIGHER ASSEMBLY: B-DD-5415272-0					SIZE CODE NUMBER REV. K CS 5415272-0-1 H
FIRST USED ON OPTION/MODEL: RA60					



THIS DRAWING AND SPECIFICATIONS ARE THE PROPERTY OF DIGITAL EQUIPMENT CORPORATION AND SHALL NOT BE REPRODUCED OR COPIED OR USED IN WHOLE OR IN PART AS THE BASIS FOR THE MANUFACTURE OR SALE OF ITEMS WITHOUT WRITTEN PERMISSION. COPYRIGHT © 1985, DIGITAL EQUIPMENT CORPORATION.

REVISIONS	
CHK	CHANGE NO. REV

	DRN. G. SCHNEIDER	DATE 08-APR-85	ENG.	DATE	TITLE:
	CHK'D.	DATE	BOARD LOCATION:	SHEET 2 OF 3	FRONT PANEL
COPY: <SCHNEIDER>P02.DRW 08-APR-85 07:33 NEXT HIGHER ASSEMBLY:		B-DD-5415272-0		SIZE CODE	NUMBER
FIRST USED ON OPTION MODEL: RA60		B-DD-5415272-0		K CS	5415272-0-1
					REV. H

REV. H  
NUMBER 5415272-0-1  
SIZE CODE CS  
K

Vertical location (A-D) Direction of line (Left, Right, Up, Down) or electrical (Input, Output, Both) or backplane pin (Pin)

KEY: S5-VH,D Schematic Sheet Horizontal location (1-8)

D	+15.0V .....	1-A2,D	1-C2,L				
	+5.0V .....	1-A2,D	1-A6,R	1-C3,L	1-C7,L	1-D3,D	1-D4,D
		1-D5,D	1-D5,D	2-A3,D	2-B2,D	2-B2,D	2-B3,D
		2-C2,D	2-C2,D	2-C2,D	2-C3,D	2-C6,D	2-C7,D
				2-D4,D	2-D6,D	2-D6,D	2-D7,D
	+5.0V A .....	1-C1,L	2-B6,D	2-C3,D	2-C3,D	2-C6,D	2-D3,D
			2-D6,D				
	+V .....	2-B7,L	2-D4,R				
	COVER CLOSED H .....	1-B3,L	1-D4,L	2-A6,R			
	FAULT CLEAR SW H .....	2-A6,R	2-C6,L				
	FAULT LIGHT L .....	1-B3,L	2-C8,R				
	GND TTL .....	2-A8,D					
	MUX BIT A0 H .....	1-B6,L	2-A4,R				
	MUX BIT A1 H .....	1-C6,L	2-A4,R				
	MUX BIT A2 H .....	1-C6,L	2-A6,R				
	MUX BIT A3 H .....	1-C6,L	2-A6,R				
C	OUT BIT 0 H .....	1-B4,R	2-A1,L	2-B4,L			
	OUT BIT 1 H .....	1-B4,R	2-A1,L	2-A4,L			
	OUT BIT 2 H .....	1-B4,R	2-A1,L	2-B6,L			
	OUT BIT 3 H .....	1-B4,R	2-A1,L	2-A6,L			
	PACK IN L .....	1-B7,L	2-A4,R				
	PORT A LIGHT L .....	1-B3,L	2-D4,R				
	PORT A SEL SW H .....	2-A6,R	2-D2,L				
	PORT B LIGHT L .....	1-B3,L	2-C4,R				
	PORT B SEL SW H .....	2-A6,R	2-C2,L				
	READY LIGHT L .....	1-B3,L	2-B4,R				
	RUN LIGHT L .....	1-B3,L	2-D8,R				
	RUN SW H .....	2-A4,R	2-D6,L				
	SEL BIT 0 H .....	1-B4,R	2-A2,R	2-A6,R			
	SEL BIT 1 H .....	1-B4,R	1-B7,R	2-A2,R			
	SEL BIT 2 H .....	1-B4,R	2-A2,R	2-A6,R			
	SEL BIT 3 H .....	1-C4,R	2-A6,R				
B	SOLENOID LOCKED L .....	1-B3,L	1-D3,L	2-A4,R			
	UNIT SEL 0 H .....	1-B7,R	2-B1,L				
	UNIT SEL 1 H .....	1-B7,R	2-B1,L				
	UNIT SEL 2 H .....	1-C7,R	2-B1,L				
	UNIT SEL 3 H .....	1-C7,R	2-B1,L				
	UNIT SEL 4 H .....	2-A4,R	2-B1,L				
	UNIT SEL 5 H .....	2-A4,R	2-B1,L				
	UNIT SEL 6 H .....	2-A6,R	2-B1,L				
	UNIT SEL 7 H .....	2-A6,R	2-B1,L				
	WRT PROT LIGHT L .....	1-B3,L	2-B8,R				
	WRT PROT SW H .....	2-A4,R	2-B6,L				

D  
C  
B  
A

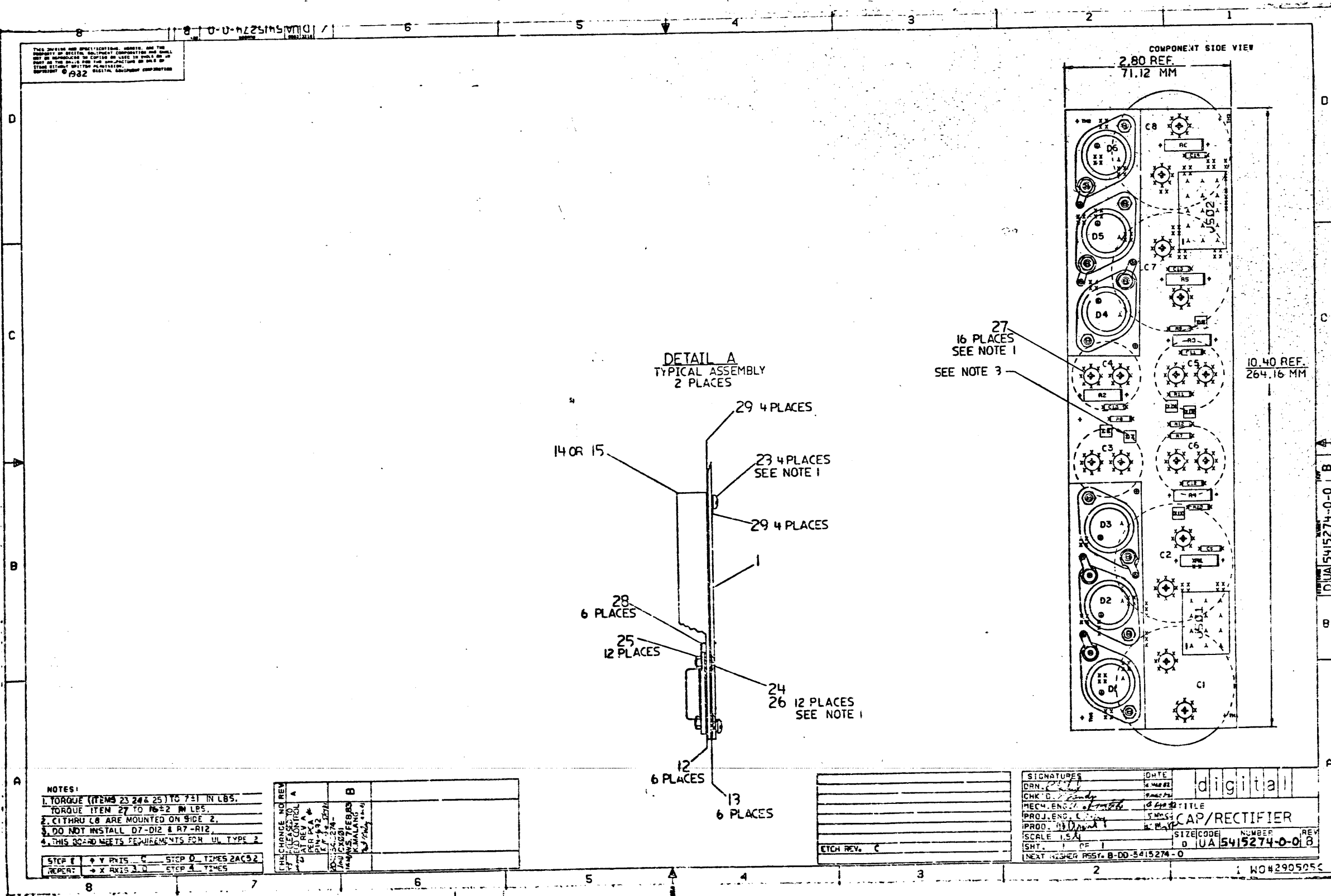
REV. H  
NUMBER 5415272-0-1  
SIZE CODE CS  
K

THIS DRAWING AND SPECIFICATIONS ARE THE PROPERTY OF DIGITAL EQUIPMENT CORPORATION AND SHALL NOT BE REPRODUCED OR COPIED OR USED IN WHOLE OR IN PART AS THE BASIS FOR THE MANUFACTURE OR SALE OF ITEMS WITHOUT WRITTEN PERMISSION. COPYRIGHT © 1985 DIGITAL EQUIPMENT CORPORATION

REVISIONS		
CHK	CHANGE NO.	REV

digital	DRN. G. SCHNEIDER	DATE 08-APR-85	ENG.	DATE	TITLE: FRONT PANEL
	CHK'D.	DATE	BOARD LOCATION: 3	SHEET 3 OF 3	
DSK:FP.12P4.2431		08-APR-85 08:30	NEXT HIGHER ASSEMBLY: B-DD-5415272-0		SIZE CODE K CS
FIRST USED ON OPTION/MODEL: RA60				NUMBER 5415272-0-1	REV. H

THIS DRAWING AND SPECIFICATIONS, WHETHER AND THE PROPERTY OF DIGITAL EQUIPMENT CORPORATION AND SHALL NOT BE REPRODUCED OR COPIED IN WHOLE OR IN PART IN ANY MANNER WITHOUT THE WRITTEN PERMISSION OF DIGITAL EQUIPMENT CORPORATION.



- NOTES:
- TORQUE (ITEMS 23, 24 & 25) TO 7.31 IN LBS. TORQUE ITEM 27 TO 16.32 IN LBS.
  - C1 THRU C8 ARE MOUNTED ON SIDE 2.
  - DO NOT INSTALL D7-D12 & R7-R12.
  - THIS BOARD MEETS REQUIREMENTS FOR UL TYPE 2.

CHANGE NO.	REV.	DESCRIPTION
1	A	RELEASE TO CONTROL
2	B	REVISED PER REV. A
3	C	REVISED PER REV. A
4	D	REVISED PER REV. A
5	E	REVISED PER REV. A
6	F	REVISED PER REV. A
7	G	REVISED PER REV. A
8	H	REVISED PER REV. A

ETCH REV. C
-------------

SIGNATURES	DATE	digital
DRN. [Signature]	4 MAR 62	
CHK'D [Signature]	[Signature]	TITLE
MECH. ENG. [Signature]	[Signature]	CAP/RECTIFIER
PROJ. ENG. [Signature]	[Signature]	SIZE CODE NUMBER
SCALE 1:1	OF 1	D U A 5415274-0-0 B
SMT.	OF 1	REV
NEXT WORKER P55-B-DD-5415274-0		

DRAWING NUMBER: 5415274-0-0  
 DRAWING NUMBER: 5415274-0-0  
 DRAWING NUMBER: 5415274-0-0  
 151  
 DRAWING NUMBER: 5415274-0-0  
 1 W04290505



AUTOMATED BY PRTLST.5R(55)

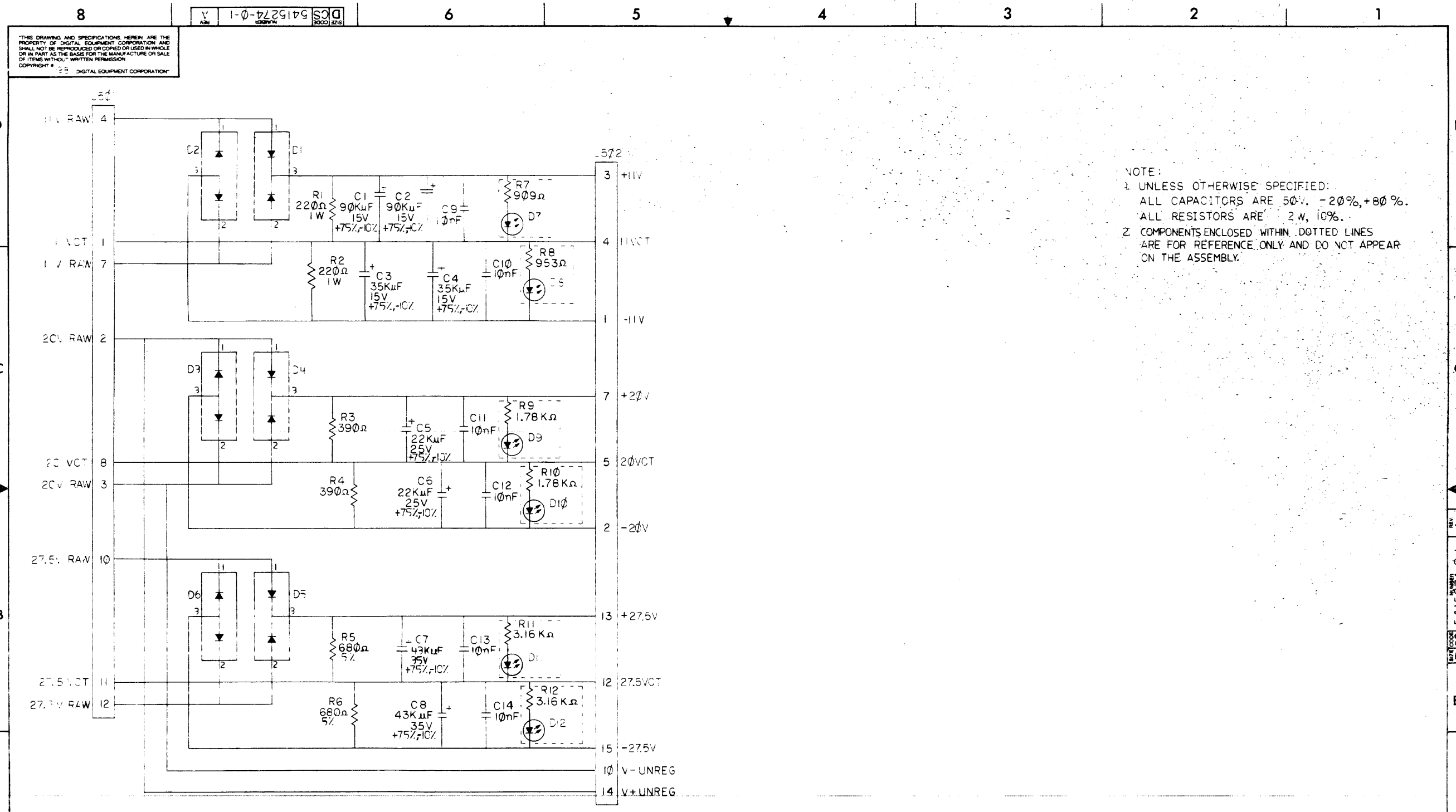
PARTS LIST

SHEET A1 OF A1

LINE ITEM	TOP DOCUMENT	PART NUMBER	MIN REV	DESCRIPTION	VARIATION REVISION LEVEL:	QTY PER VARIATION	REFERENCE DESIGNATOR
						01	
						B2	
1	D-MD-5015273-0-0	5015273-01		DRILL AND ETCH BRD.		1	
2		1001610-00		.01 MFD 50V +80-20% Z5U CER		6	C9-C14
3		1019279-02		35,000 MFD 15V +75-10% AL EL		2	C3,C4
4		1019279-04		90,000 MFD 15V +75-10% AL EL		2	C1,C2
5		1019279-05		22,000 MFD 25V +75-10% AL EL		2	C5,C6
6		1019279-06		43,000 MFD 35V +75-10% AL EL		2	C7,C8
7		1110864-00		*** THIS ITEM IS NOT USED ***		-	
8		1119384-01		RECT. ASSY PIV= 100 IO=15.00A		3	D1,D4,D5
9		1119384-02		RECT. ASSY PIV= 100 IO=15.00A		3	D2,D3,D6
10		1212297-04		MATE-N-LOK 15PIN(2X08).250CC HDR		1	J502
11		1212297-08		MATE-N-LOK 12PIN(2X06).250CC HDR		1	J501
12		1213071-02		INSULATOR,RUBBER SILICONE SM		6	
13		1215580-00		INSULATOR,MOLDED		6	
14		1219147-01		HEAT SINKS,TO-3 04.18X01.3		1	
15		1219147-02		HEAT SINKS,TO-3 04.18X01.3		1	
16		1319470-20		220.0 1.0 W 5.0 Z M.OXIDE		2	R1,R2
17		1319471-26		680.0 2.0 W 5.0 Z M.OXIDE		2	R5,R6
18		1319471-23		390.0 2.0 W 5.0 Z M.OXIDE		2	R3,R4
19		1302612-00		*** THIS ITEM IS NOT USED ***		-	
20		1302685-00		*** THIS ITEM IS NOT USED ***		-	
21		1303045-00		*** THIS ITEM IS NOT USED ***		-	
22		1317526-00		*** THIS ITEM IS NOT USED ***		-	
23		9006022-01		SCREW,MACH PAN PHIL 6-		4	
24		9006024-01		SCREW,MACH PAN PHIL 6-		12	
25		9006560-00		NUT,HEX EXT TOOTH LCKWSHR 6-32		12	
26		9006656-00		WASHER,FLAT STEEL		12	
27		9009228-10		SCREW,SEMS PAN PHIL 10-		16	
28		9009676-00		TERM,SOLDER BARRIER STR		6	
29		9006707-00		WASHER,FLAT NYLON		8	

REVISION HISTORY		BASIC PART NO: 5415274		DRN:	T JORSTAD	DATE:	21-MAY-82	D I G I T A L			
ENG!	ECO NUMBER	REV	SECTION A OF A	CHK'D:	NORM LANDRY	DATE:	21-MAY-82	TITLE PARTS LIST			
---	INITIAL	A	SECTION,VARIATION INDEX	CHK'D:	NORM LANDRY	DATE:	21-MAY-82	CAP/RECTIFIER			
	KM	B	[A] 01	DES.ENG:	KEITH MALANG	DATE:	21-MAY-82	DOCUMENT NUMBER			
	CW	C	[B]	SIZE!CODE!		NUMBER		REV			
			[C]	RESP.ENG.:	KEITH MALANG	DATE:	21-MAY-82	K	PL	5415274-0-DBP	C
			[D]	MFG.ENG.:	JOHN DENNIS	DATE:	21-MAY-82	RELEASE DATE: 20-NOV-84			
			[E]	ASSEMBLY NUMBER:		TOP DOCUMENT NUMBER:		FILE NAME:		EDIT #:	
			[F]	D-UA-5415274-0-0		B-DD-5415274-0-0		Z2154C.PLS		5	
			[G]								
			[H]								
			[I]								
			[J]								
			[K]								
			[L]								
			[M]								
			[N]								

\*THIS DRAWING AND THE SPECIFICATIONS CONTAINED HEREIN ARE CONFIDENTIAL AND PROPRIETARY. THEY ARE THE PROPERTY OF DIGITAL EQUIPMENT CORPORATION AND SHALL NOT BE REPRODUCED OR COPIED OR USED IN WHOLE OR IN PART AS THE BASIS FOR THE MANUFACTURE OR SALE OF ITEMS WITHOUT WRITTEN PERMISSION. THIS IS AN UNPUBLISHED WORK PROTECTED UNDER THE FEDERAL COPYRIGHT LAWS.\*



THIS DRAWING AND SPECIFICATIONS HEREIN ARE THE PROPERTY OF DIGITAL EQUIPMENT CORPORATION AND SHALL NOT BE REPRODUCED OR COPIED OR USED IN WHOLE OR IN PART AS THE BASIS FOR THE MANUFACTURE OR SALE OF ITEMS WITHOUT WRITTEN PERMISSION.  
 COPYRIGHT © 1981 DIGITAL EQUIPMENT CORPORATION

NOTE:  
 1 UNLESS OTHERWISE SPECIFIED:  
 ALL CAPACITORS ARE 50V, -20%, +80%.  
 ALL RESISTORS ARE 1/2W, 10%.  
 2 COMPONENTS ENCLOSED WITHIN DOTTED LINES ARE FOR REFERENCE ONLY AND DO NOT APPEAR ON THE ASSEMBLY.

DATE	ECO NUMBER	REV
		1
		2
		3
		4

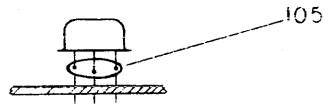
DRW A. Halliwell	DATE 30 SEP 81	TITLE digital
CHKD A. Randy	DATE 29 Feb 82	CAP/RECTIFIER
DES. ENG.	DATE	
REP. ENG.	DATE	DOCUMENT NUMBER
MFG. ENG.	DATE	SIZE CODE NUMBER REV
NEXT REVISION DOC	B-DD-5415274-0	D CS 5415274-0-1 Δ

CS 5415274-0-1  
 1981WPM

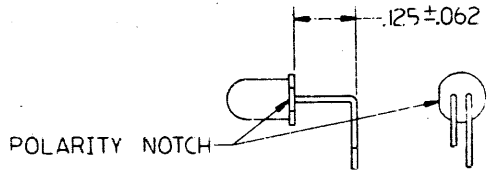
CS 5415274-0-1

THIS DRAWING AND SPECIFICATIONS HEREIN ARE THE PROPERTY OF DIGITAL EQUIPMENT CORPORATION AND SHALL NOT BE REPRODUCED OR COPIED OR USED IN WHOLE OR IN PART AS THE BASIS FOR THE MANUFACTURE OR SALE OF ITEMS WITHOUT WRITTEN PERMISSION.  
 COPYRIGHT © 1983 DIGITAL EQUIPMENT CORPORATION

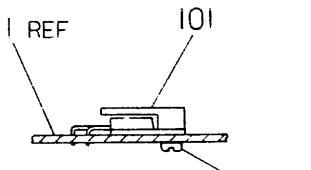
COMPONENT SIDE VIEW



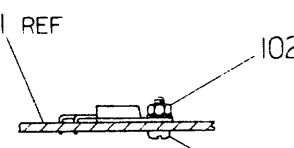
DETAIL "D"  
8 PLACES



DETAIL "A"  
7 PLACES  
NO SCALE



DETAIL "B"  
2 PLACES



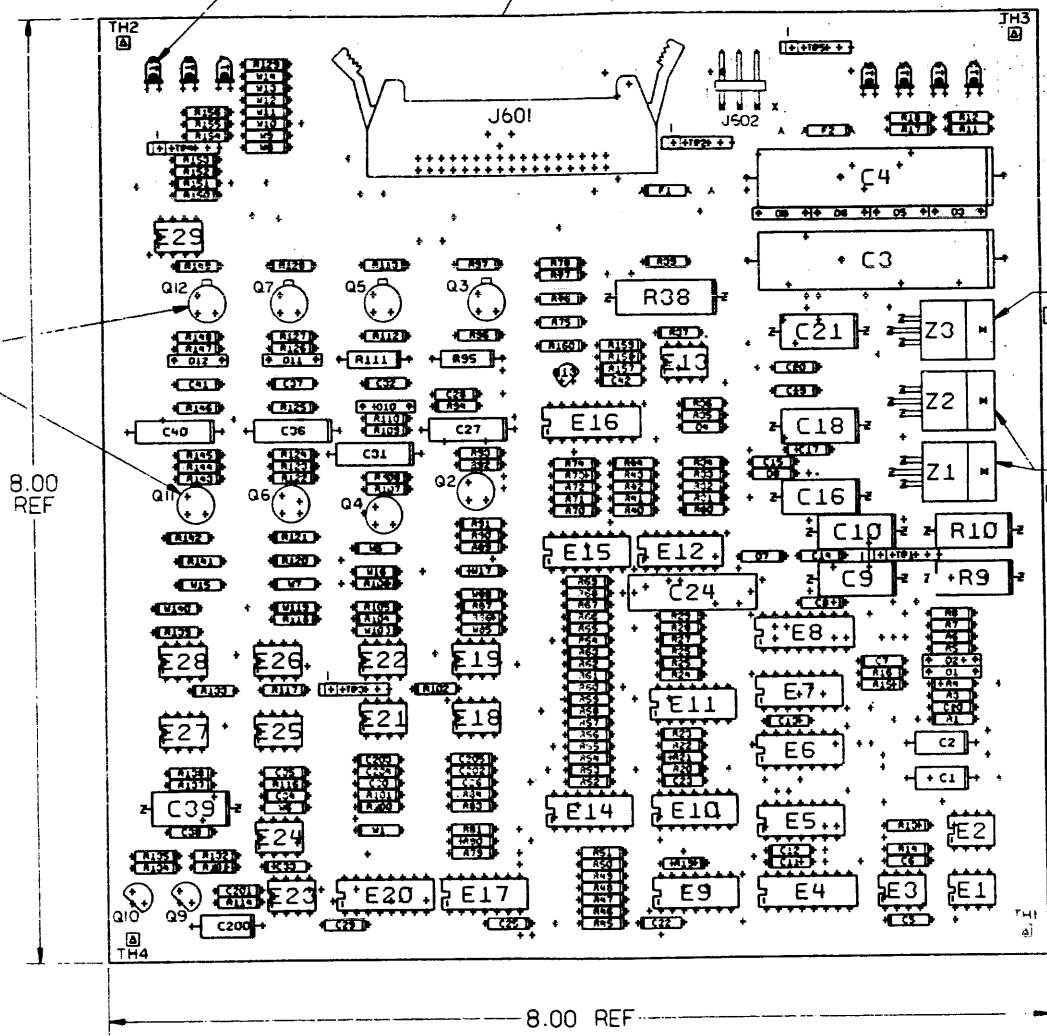
DETAIL "C"  
1 PLACE

SEE DETAIL "D"

SEE DETAIL "A"

SEE DETAIL "C"

SEE DETAIL "B"



NOTES: 1. THE FOLLOWING ARE SPARES: E16, R93, R107, R123, R144, W9-W14, C28, C32, C37-C39, C41.

STEP E → Y AXIS 0 STEP 0 TIMES 2ACS  
 REPEAT → X AXIS 8.0 STEP 1 TIMES

CHK CHANGE NO	REV	DATE	BY
2142	D	15 MAR 83	K. MALANG
	E	15 MAR 84	

ETCH REV. E-P1
----------------

SIGNATURES	DATE
DRN. Eric Bernero	15 MAR 83
CHK'D.	
MECH. ENG.	
PROJ. ENG.	
PROD.	

SCALE: 1.5/1  
 SHT. 1 OF 1  
 NEXT HIGHER ASSY. B-DD-5415276-0-0

digital
REGULATOR
SIZE CODE NUMBER REV
D DIA 5415276-0-0

LINE	ITEM	TOP DOCUMENT	PART NUMBER	MIN REV	DESCRIPTION	QTY	PER VARIATION	REFERENCE DESIGNATOR
1	1	B-DD-5015275-0	5015275-01		DRILL AND ETCH	1		
2	2		1001610-00		.01 MFD 50V +80-20% Z5U CER	20		C5,C6,C7,C8,C11,C12,C13,C22,C23, C25,C29,C33,C34,C35,C42,C201, C202,C203,C204,C205
3	3		1002630-00		.015 MFD 100V 10% MYLR	4		C27,C31,C36,C40
4	4		1010031-03		.22 MFD 50V 10% M.POLYCARB	3		C1,C2,C200
5	5		1010031-07		1 MFD 50V 10% M.POLYCARB	1		C24
6	6		1011849-01		600 MFD 25V +75-10% AL EL	2		C3,C4
7	7		1012084-01		8 MFD 25V +75-10% AL EL	5		C9,C10,C16,C18,C21
8	8		1012784-00		.047 MFD 50V +80-20% CER	5		C14,C15,C17,C19,C20
9	9		1013466-22		.1 MFD 50V +80-20% Z5U CER	2		C26,C30
10	10		1105796-00		PIV= 400 IO= 1.00A 1N4004 DO-41	9		D1,D2,D3,D5,D6,D9,D10,D11,D12
11	11		1105871-00		VZ= 5.15 1% 250 MW	1		D8
12	12		1105871-01		VZ= 3.0 1% 250 MW	1		D7
13	13		1110864-00		LED 2MCD@10MA	2		D17,D18
14	14		1113003-00		PIV= 55 IO=200 MA - 4NS 1N5282	2		D4,D20
15	15		1114384-00		LED 105MW 35MA GREEN	5		D13,D14,D15,D16,D19
16	16		1205747-00		FUSE, SUB-MINI, 5.000A, 125V, A	2		F1,F2
17	17		1212204-10		PCB HEADER 03PIN(1X03).156CC 90D	1		J602
18	18		1215901-07		PCB,HEADER 06PIN(1X06).100CC STR	5		TP1,TP2,TP3,TP4,TP5
19	19		1216832-06		PCB,HEADER 34POS(2X17).100CC 90D	1		J601
20	20		1319471-01		10.0 2.0 W 5.0 % M.OXIDE	1		R38
21	21		1300202-00		47.0 .25 W 5.0 % CF	2		R126,R148
22	22		1300229-00		100.0 .25 W 5.0 % CF	4		R90,R106,R121,R142
23	23		1300295-00		330.0 .25 W 5.0 % CF	2		R96,R112
24	24		1300316-00		470.0 .25 W 5.0 % CF	3		R3,R127,R147
25	25		1300365-00		1.0 K .25 W 5.0 % CF	6		R1,R15,R16,R79,R129,R160
26	26		1300391-00		1.50 K .25 W 5.0 % CF	3		R4,R52,R70
27	27		1300398-00		1.80 K .25 W 5.0 % CF	3		R102,R117,R133
28	28		1300426-00		2.70 K .25 W 5.0 % CF	1		R86

REVISION HISTORY			BASIC PART NO: 5415276		DRN:	SHERI LEHMAN	DATE:	24-MAR-83	DIGITAL			
ENG	ECO NUMBER	REV	SECTION A OF A		CHK'D:	SUE BOURBEAU	DATE:	24-MAR-83	TITLE PARTS LIST			
KM	5415276-CX003	D	SECTION.VARIATION INDEX		DES.ENG:	KEITH MALANG	DATE:	24-MAR-83	DOCUMENT NUMBER			
AM	5415276-CX004	E	[A] 01		RESP.ENG.:	KEITH MALANG	DATE:	24-MAR-83	SIZE	CODE	NUMBER	REV
CW	5415276-CX005	F	[B]		MFG.ENG.:	C FONG	DATE:	24-MAR-83	K	PL	5415276-0-DBP	H
PR	5415276-CX006	H	[C]		ASSEMBLY NUMBER:		TOP DOCUMENT NUMBER:		FILE NAME:		EDIT #	
			[D]		D-UA-5415276-0-0		B-DD-5415276-0-0		Z2155H.PLS		5	
			[E]						RELEASE DATE:		18-MAY-85	
			[F]									
			[G]									
			[H]									
			[I]									
			[J]									
			[K]									
			[L]									
			[M]									
			[N]									

*SMB  
5/10/85  
aw*

"THIS DRAWING AND THE SPECIFICATIONS CONTAINED HEREIN ARE CONFIDENTIAL AND PROPRIETARY. THEY ARE THE PROPERTY OF DIGITAL EQUIPMENT CORPORATION AND SHALL NOT BE REPRODUCED OR COPIED OR USED IN WHOLE OR IN PART AS THE BASIS FOR THE MANUFACTURE OR SALE OF ITEMS WITHOUT WRITTEN PERMISSION. THIS IS AN UNPUBLISHED WORK PROTECTED UNDER THE FEDERAL COPYRIGHT LAWS."

LINE ITEM	TOP DOCUMENT	PART NUMBER	MIN REV	DESCRIPTION	VARIATION	REVISION LEVEL	QTY PER VARIATION	REFERENCE DESIGNATOR
							01 D3	
29	29	1300439-00		3.30 K	.25 W	5.0 % CF	2	R65,R71
30	30	1300488-00		12.0 K	.25 W	5.0 % CF	1	R19
31	31	1301320-00		1.20 K	.25 W	5.0 % CF	1	R36
32	32	1301421-00		15.0	.25 W	5.0 % CF	1	R97
33	33	1301425-00		300.0	.25 W	5.0 % CF	6	R92,R109,R122,R128,R143,R149
34	34	1301695-00		47.0	.50 W	5.0 % CF	2	R95,R111
35	35	1301972-00		270.0	.25 W	5.0 % CF	2	R155,R156
36	36	1302377-00		39.0	.25 W	5.0 % CF	1	R113
37	37	1302389-00		4.30 K	.25 W	5.0 % CF	1	R132
38	38	1302391-00		20.0 K	.25 W	5.0 % CF	1	R114
39	39	1319470-30		820.0	1.0 W	5.0 % M.OXIDE	1	R9
40	40	1303064-00		75.0	.25 W	1.0 % RN55D-F10	3	R108,R124,R145
41	41	1303114-00		1.0 K	.25 W	1.0 % RN55D-F10	4	R94,R110,R125,R146
42	42	1303312-00		10.0 K	.25 W	1.0 % RN55D-F10	10	R5,R73,R76,R84,R100,R135,R150, CONT R151,R152,R153
43	43	1303313-00		12.10 K	.25 W	1.0 % RN55D-F10	2	R120,R141
44	44	1317797-00		5.23 K	.25 W	1.0 % RN55D-F10	1	R105
45	45	1304866-00		2.0 K	.25 W	1.0 % RN55D-F10	14	R40,R41,R42,R43,R50,R51,R58,R59, CONT R60,R61,R62,R63,R118,R139
46	46	1305114-00		3.48 K	.25 W	1.0 % RN55D-F10	1	R78
47	47	1305127-00		4.0 K	.25 W	1.0 % RN55D-F10	1	R87
48	48	1305265-00		39.20 K	.25 W	1.0 % RN55D-F10	1	R157
49	49	1305324-00		4.99 K	.25 W	1.0 % RN55D-F10	3	R72,R116,R137
50	50	1309414-00		9.76 K	.25 W	1.0 % RN55D-F10	2	R35,R39
51	51	1310630-00		1.33 K	.25 W	1.0 % RN55D-F10	1	R34
52	52	1310636-00		82.50 K	.25 W	1.0 % RN55D-F10	3	R13,R14,R80
53	53	1311422-00		178.0	.25 W	1.0 % RN55D-F10	5	R11,R12,R17,R18,R154
54	54	1312480-00		1.54 K	.25 W	1.0 % RN55D-F10	1	R37
55	55	1312626-00		2.49 K	.25 W	1.0 % RN55D-F10	2	R104,R138
56	56	1312922-00		536.0	.25 W	1.0 % RN55D-F10	1	R131
57	57	1312923-00		2.10 K	.25 W	1.0 % RN55D-F10	1	R6
58	58	1312924-00		10.70 K	.25 W	1.0 % RN55D-F10	1	R75
59	59	1313341-00		5.36 K	.25 W	1.0 % RN55D-F10	1	R66
60	60	1313584-00		158.0	.25 W	1.0 % RN55D-F10	1	R134
61	61	1313591-00		1.65 K	.25 W	1.0 % RN55D-F10	1	R44
62	62	1313596-00		20.0 K	.25 W	1.0 % RN55D-F10	2	R28,R30
63	63	1313752-00		15.0 K	.25 W	1.0 % RN55D-F10	2	R83,R101
64	64	1313775-00		80.60 K	.25 W	1.0 % RN55D-F10	5	R20,R22,R46,R48,R158
65	65	1313842-00		48.70 K	.25 W	1.0 % RN55D-F10	1	R31
66	66	1313843-00		107.0 K	.25 W	1.0 % RN55D-F10	4	R24,R26,R53,R56
67	67	1313844-00		221.0 K	.25 W	1.0 % RN55D-F10	1	R81
68	68	1313918-00		9.10 K	.25 W	5.0 % CF	1	R159
69	69	1314120-00		78.70 K	.25 W	1.0 % RN55D-F10	2	R33,R69
70	70	1314187-00		6.19 K	.25 W	1.0 % RN55D-F10	4	R25,R27,R54,R55
71	71	1314397-00		9.53 K	.25 W	1.0 % RN55D-F10	1	R74
72	72	1314551-00		442.0	.25 W	1.0 % RN55D-F10	1	R91
73	73	1319470-17		160.0	1.0 W	5.0 % M.OXIDE	1	R10
74	74	1315096-00		1.87 K	.25 W	1.0 % RN55D-F10	1	R57

D	I	G	I	T	A	L	TITLE	SECTION A	OF A	SIZE	CODE	DOCUMENT NUMBER	REV
							REGULATOR			K	PL	5415276-0-DBP	H

AUTOMATED BY PRSUD.2B(4)

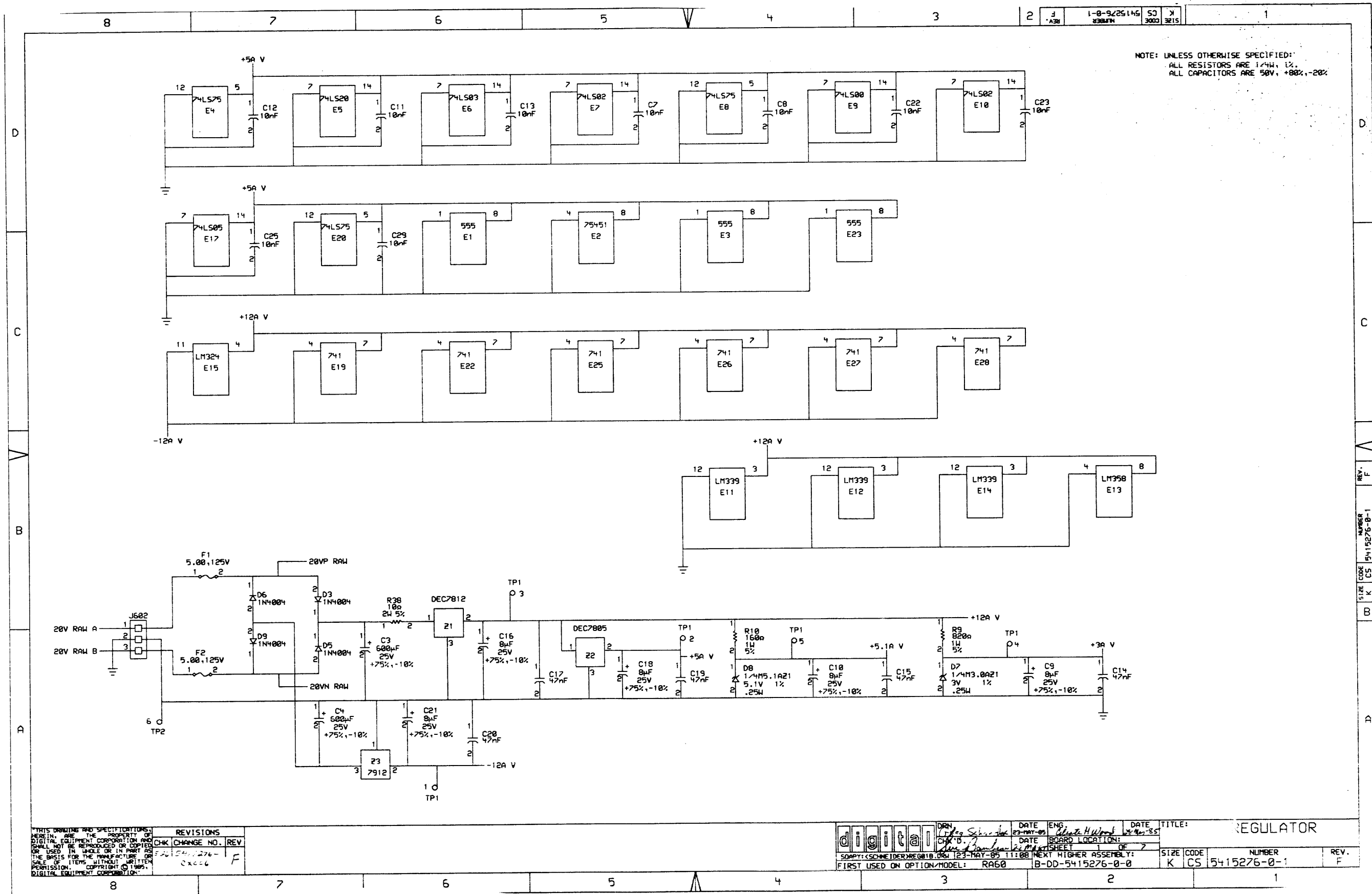
PARTS LIST

SHEET A3 OF A3

LINE ITEM	TOP DOCUMENT	PART NUMBER	MIN REV	DESCRIPTION	VARIATION REVISION LEVEL:	QTY PER VARIATION	REFERENCE DESIGNATOR
						01 D3	
75	75	1316842-00		6.34 K .25 W 1.0 % RN55D-F10		1	R29
76	76	1316843-00		13.70 K .25 W 1.0 % RN55D-F10		2	R32,R68
77	77	1317399-00		6.49 K .25 W 1.0 % RN55D-F10		4	R21,R23,R47,R49
78	78	1317406-00		2.43 K .25 W 1.0 % RN55D-F10		2	R7,R45
79	79	1318150-12		8.06 K .25 W 1.0 % RN55D-F10		5	R8,R64,R67,R77,R89
80	80	1501881-00		DEC2219 NPN 3WC SI 30100		4	Q3,Q4,Q6,Q12
81	81	1501913-00		2N 2904A PNP 600MW SI 60 40 Y		4	Q2,Q5,Q7,Q11
82	82	1509525-00		2N 3906 PNP 310MW SI 40100 Y		1	Q9
83	83	1513489-00		2N 4401 NPN 350MW SI 40 20		2	Q10,Q13
84	84	1910298-00		741 OP AMP GEN PURP. COM		7	E19,E22,E25,E26,E27,E28,E29
85	85	1910406-00		75451 DRIVER,PERIPH,DUAL,		1	E2
86	86	1911944-00		555CN TIMER,FUNCT.BLOCK		3	E1,E3,E23
87	87	1912048-06	DEC	7812 VOLT REG,FIX +12V		1	Z1
88	88	1912107-00		324 OP AMP,QUAD		1	E15
89	89	1912108-00		339 VOLT CMPRTR,QUAD		3	E11,E12,E14
90	90	1912536-01		7805 VOLT REG,FIX +5V		1	Z2
91	91	1912649-00		LS75 LATCH 4BIT,BISTABLE		3	E4,E8,E20
92	92	1912799-00		LS00 NAND-GATE-QUAD 2IN,P		1	E9
93	93	1912801-00		LS02 NOR-GATE-QUAD 2IN		2	E7,E10
94	94	1912802-00		LS03 NAND-GATE-QUAD 2IN,P		1	E6
95	95	1912804-00		LS05 INVERTER GATE-HEX 1I		1	E17
96	96	1912810-00		LS20 NAND GATE-DUAL 4IN		1	E5
97	97	1914517-01		7912 VOLT REG,FIX -12V		1	Z3
98	98	1915881-01		3423 PROTECTOR,OVERVOLTAG		2	E18,E21
99	99	1916758-00		PRECISION REFERENCE		1	E24
100	100	1917908-00	LM	358N OP AMP DUAL LOW POWE		1	E13
101	101	7414745-00	CR	HEATSINK		2	
102	102	9006557-00	A	NUT,HEX EXT TOOTH LCKWSHR 4-40		1	
103	103	9009185-00		JUMPER, WIRE, INSULATED, BLACK B		13	W1,W5,W6,W7,W8,W15,W16,W17,W85, W88,W103,W119,W140
104	104	9009546-00	A	SCREW,SEMS PAN PHIL 4-		3	
105	105	9007201-00		PAD,MOUNTING,COMPONENT		8	

CONT

D I G I T A L	TITLE	SECTION A OF A	SIZE	CODE	DOCUMENT NUMBER	REV
	REGULATOR		K	PL	5415276-0-DBP	H

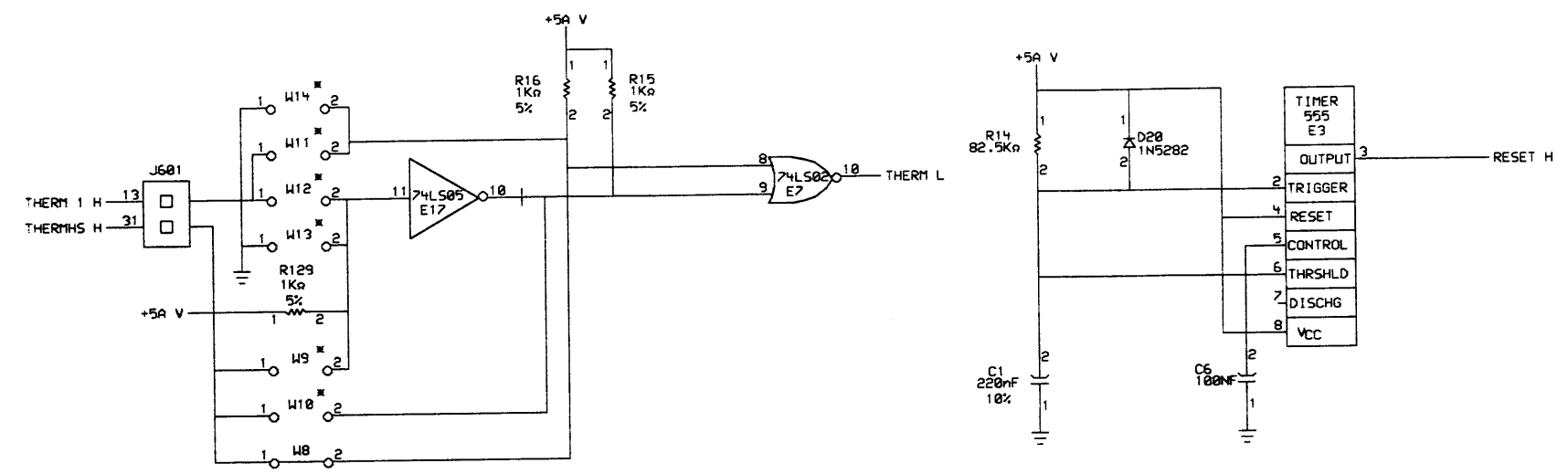


THIS DRAWING AND SPECIFICATIONS ARE THE PROPERTY OF DIGITAL EQUIPMENT CORPORATION AND SHALL NOT BE REPRODUCED OR COPIED OR USED IN WHOLE OR IN PART AS THE BASIS FOR THE MANUFACTURE OR SALE OF ITEMS WITHOUT WRITTEN PERMISSION. COPYRIGHT © 1989, DIGITAL EQUIPMENT CORPORATION.

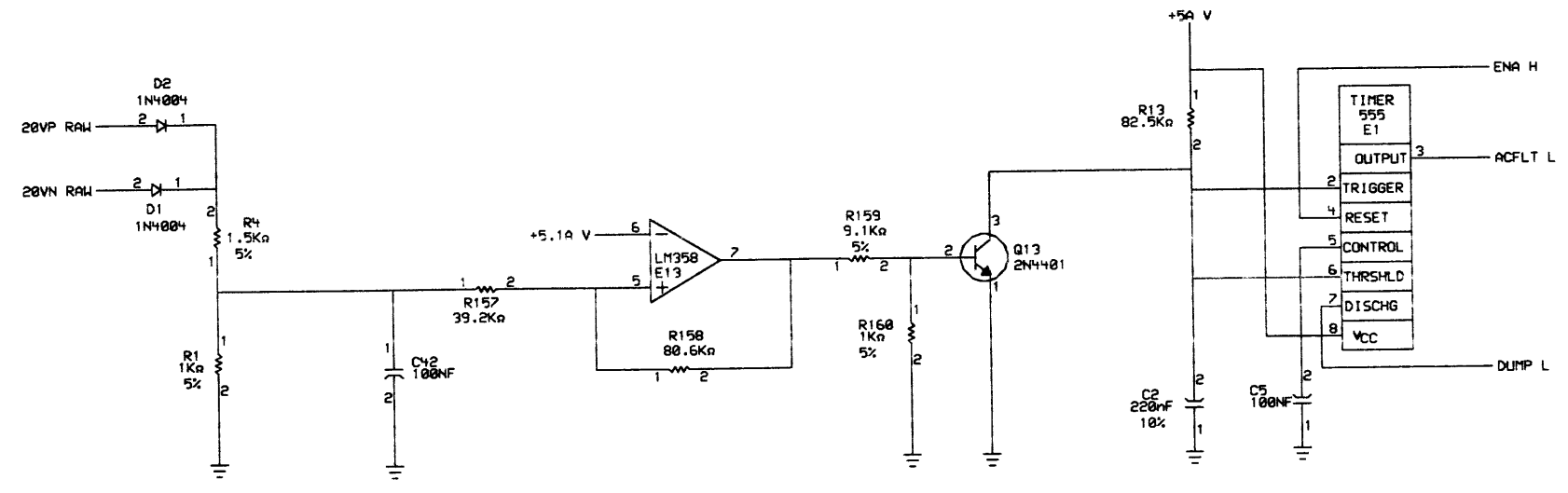
REVISIONS		
CHK	CHANGE NO.	REV
	02006	F

DATE: 23-MAY-85	ENG: <i>John H. Wood</i>	DATE: 25-MAY-85	TITLE: REGULATOR
CHK: <i>D. J.</i>	DATE: <i>23-MAY-85</i>	BOARD LOCATION: <i>1</i>	REV: F
SHEET: <i>1</i> OF <i>2</i>		SIZE: K	CODE: CS
FIRST USED ON OPTION/MODEL: RA60		NUMBER: 5415276-0-1	REV: F

8	7	6	5	4	3	2	1
---	---	---	---	---	---	---	---



\* NOTE: W9 THRU W14 ARE NOT USED.



THIS DRAWING AND SPECIFICATIONS HEREIN ARE THE PROPERTY OF DIGITAL EQUIPMENT CORPORATION AND SHALL NOT BE REPRODUCED OR COPIED OR USED IN WHOLE OR IN PART AS THE BASIS FOR THE MANUFACTURE OR SALE OF ITEMS WITHOUT WRITTEN PERMISSION. COPYRIGHT © 1989, DIGITAL EQUIPMENT CORPORATION.

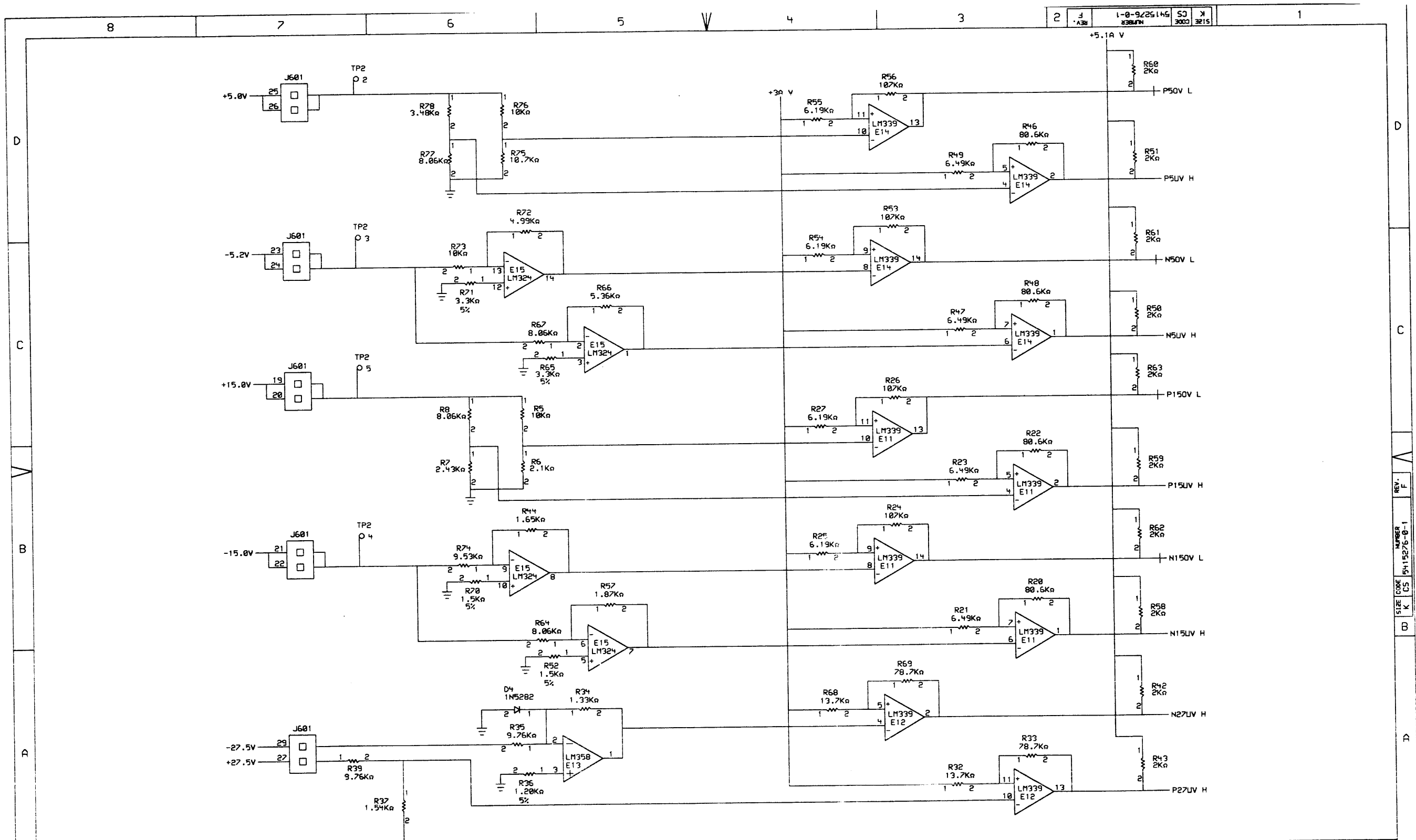
REVISIONS		
CHK	CHANGE NO.	REV.

	DRN.	DATE	ENG.	DATE	TITLE: REGULATOR	
	CHK'D.	DATE	BOARD LOCATION:	SHEET 2 OF 7		
SCAPT:CSCHNEIDER\REG26.DRW 23-MAY-85 11:10 FIRST USED ON OPTION/MODEL: RA60		NEXT HIGHER ASSEMBLY: B-DD-5415276-0-0		SIZE CODE	NUMBER	REV.
				K CS	5415276-0-1	F

REV. F  
 NUMBER 5415276-0-1  
 SIZE CODE CS  
 K

D  
 C  
 B  
 A



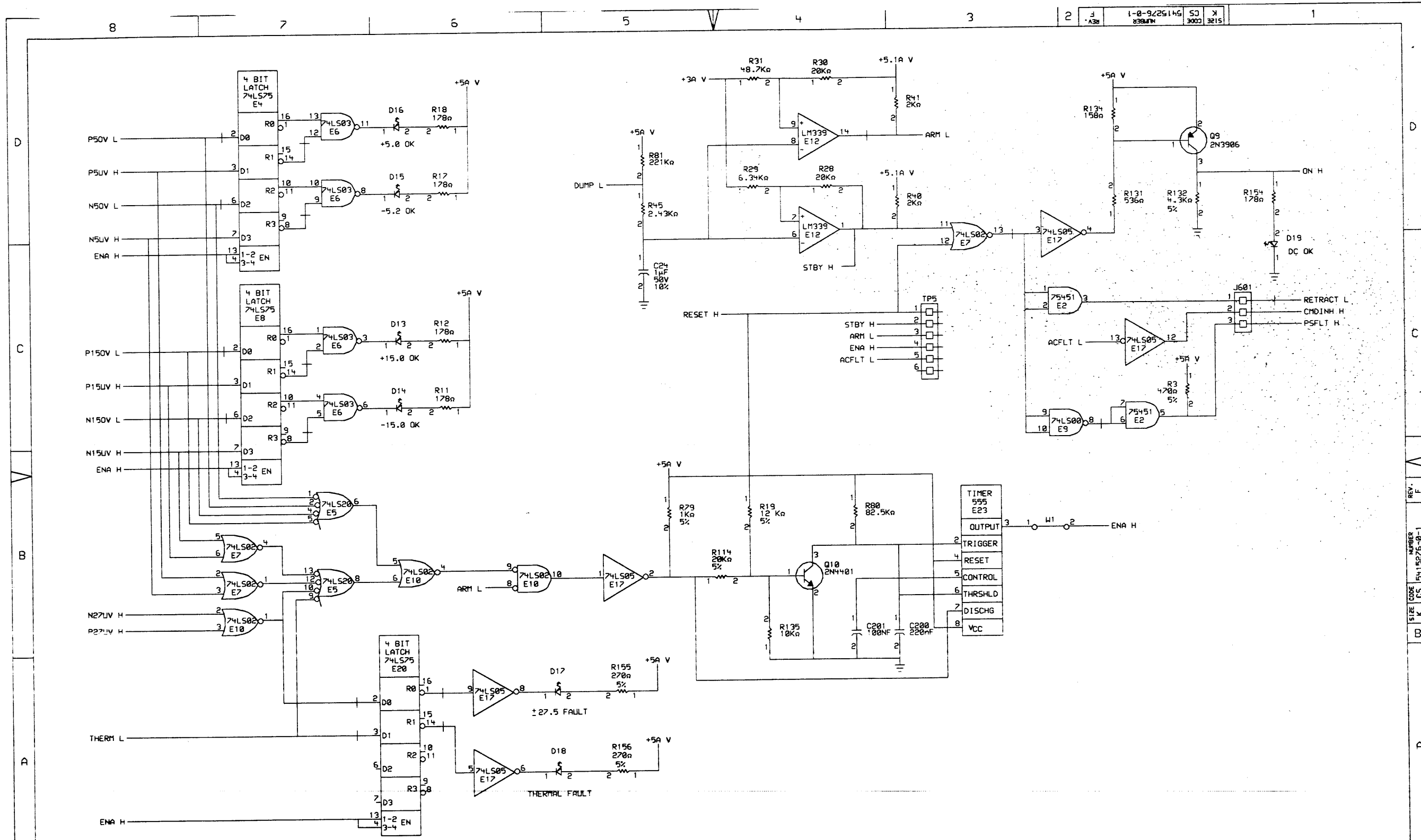


THIS DRAWING AND SPECIFICATIONS HEREAFTER ARE THE PROPERTY OF DIGITAL EQUIPMENT CORPORATION AND SHALL NOT BE REPRODUCED OR COPIED OR USED IN WHOLE OR IN PART AS THE BASIS FOR THE MANUFACTURE OR SALE OF ITEMS WITHOUT WRITTEN PERMISSION. COPYRIGHT © 1975, DIGITAL EQUIPMENT CORPORATION.

REVISIONS	
CHK	CHANGE NO. REV.

digital	DRN.	DATE	ENG.	DATE	TITLE:	REGULATOR
	CHK'D.	23-MAY-85			BOARD LOCATION:	
COPY: (SCHNEIDER)REG030.DRN [23-MAY-85 11:11		NEXT HIGHER ASSEMBLY:		SIZE	CODE	NUMBER
FIRST USED ON OPTION/MODEL: RA60		B-DD-5415276-0-0		K	CS	5415276-0-1
						REV. F

REV. F  
NUMBER 5415276-0-1  
SIZE CODE CS K

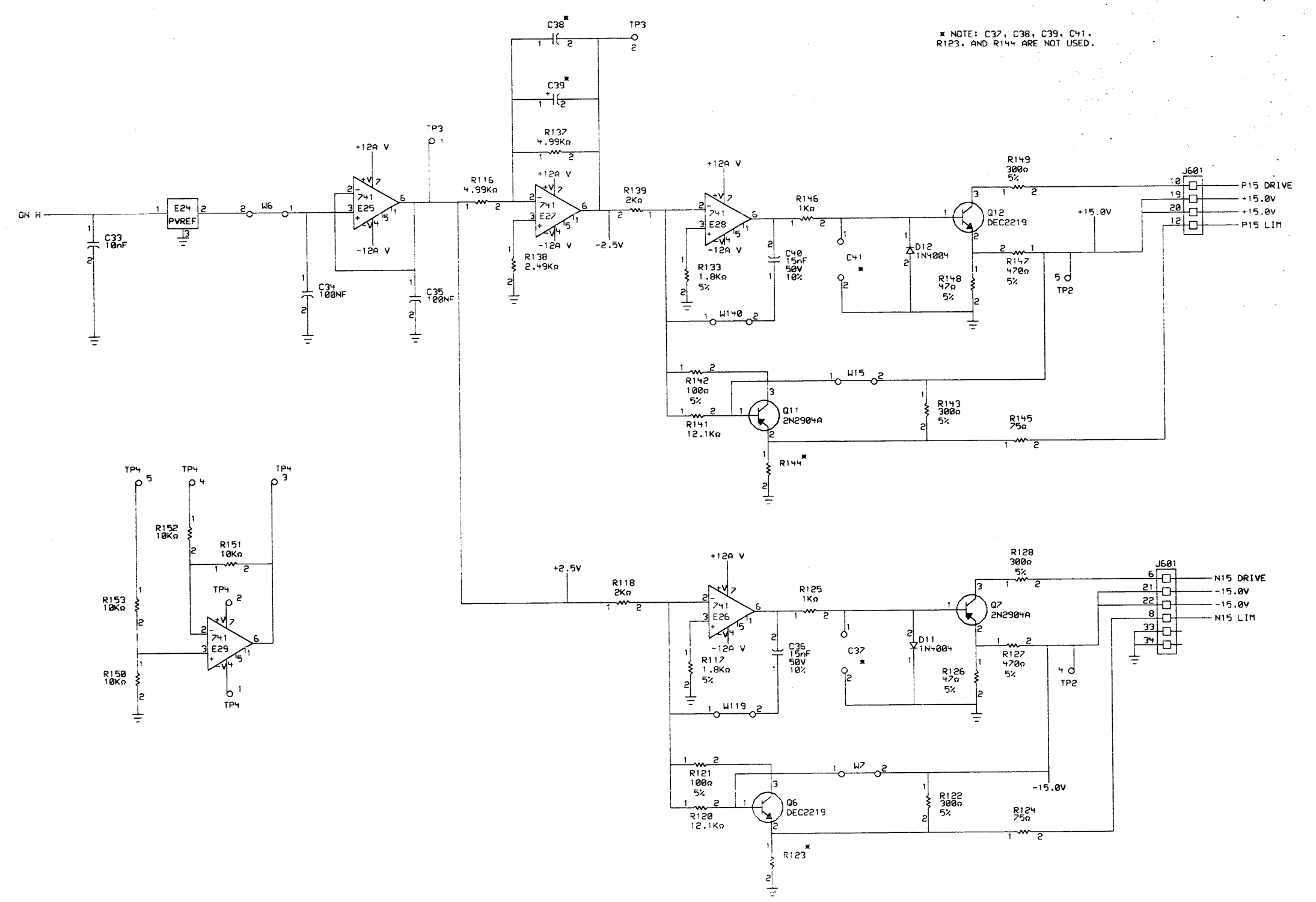


THIS DRAWING AND SPECIFICATIONS HEREIN ARE THE PROPERTY OF DIGITAL EQUIPMENT CORPORATION AND SHALL NOT BE REPRODUCED OR COPIED OR USED IN WHOLE OR IN PART AS THE BASIS FOR THE MANUFACTURE OR SALE OF ITEMS WITHOUT WRITTEN PERMISSION. COPYRIGHT © 1985, DIGITAL EQUIPMENT CORPORATION.

REVISIONS	
CHK	CHANGE NO. REV

	DRN.	DATE	ENG.	DATE	TITLE:	REGULATOR
	CHK'D.	DATE			BOARD LOCATION:	
SOPT: <SCHNEIDER>REG04B.DRW [23-MAY-85 11:13] NEXT HIGHER ASSEMBLY:					SIZE	CODE
FIRST USED ON OPTION/MODEL: RA60					B-DD-5415276-0-0	
					NUMBER	REV.
					5415276-0-1	F

REV. F  
 NUMBER 15415276-0-1  
 SIZE CS  
 K



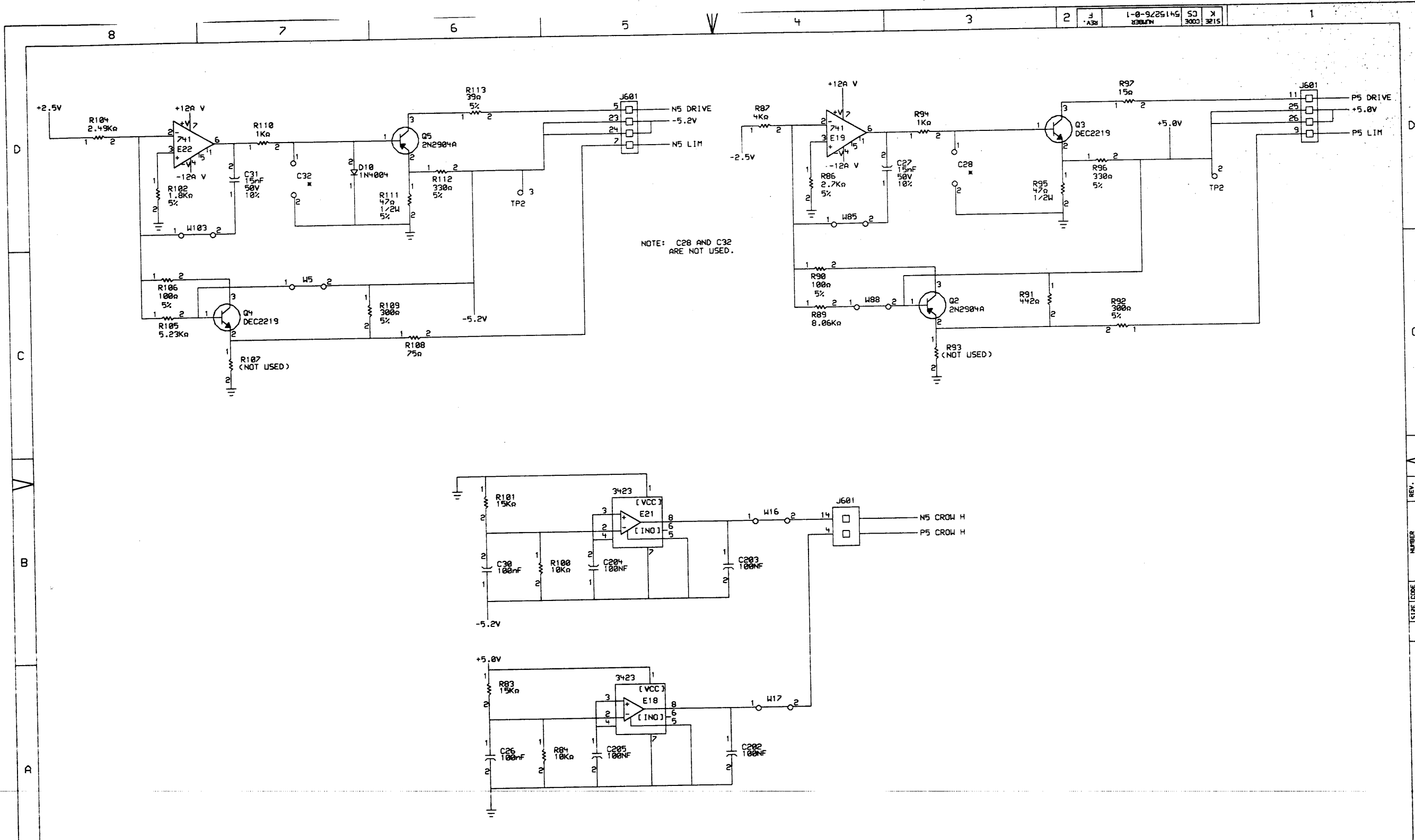
\* NOTE: C37, C38, C39, C41, R123, AND R144 ARE NOT USED.

THIS DRAWING AND SPECIFICATIONS HEREIN ARE THE PROPERTY OF DIGITAL EQUIPMENT CORPORATION AND SHALL NOT BE REPRODUCED OR COPIED OR USED IN WHOLE OR IN PART AS THE BASIS FOR THE MANUFACTURE OR SALE OF ITEMS WITHOUT WRITTEN PERMISSION. COPYRIGHT © 1985, DIGITAL EQUIPMENT CORPORATION.

REVISIONS		
CHK	CHANGE NO.	REV

digital	DRN.	DATE	ENG.	DATE	TITLE:
	CHK'D.	23-MAY-85			REGULATOR
SOAPT:KSCHEIDER:RES05B.DRW		123-MAY-85 11:16	NEXT HIGHER ASSEMBLY:	SIZE CODE	NUMBER
FIRST USED ON OPTION/MODEL:		RAG0	B-DD-5415276-2-2	K CS	5415276-0-1

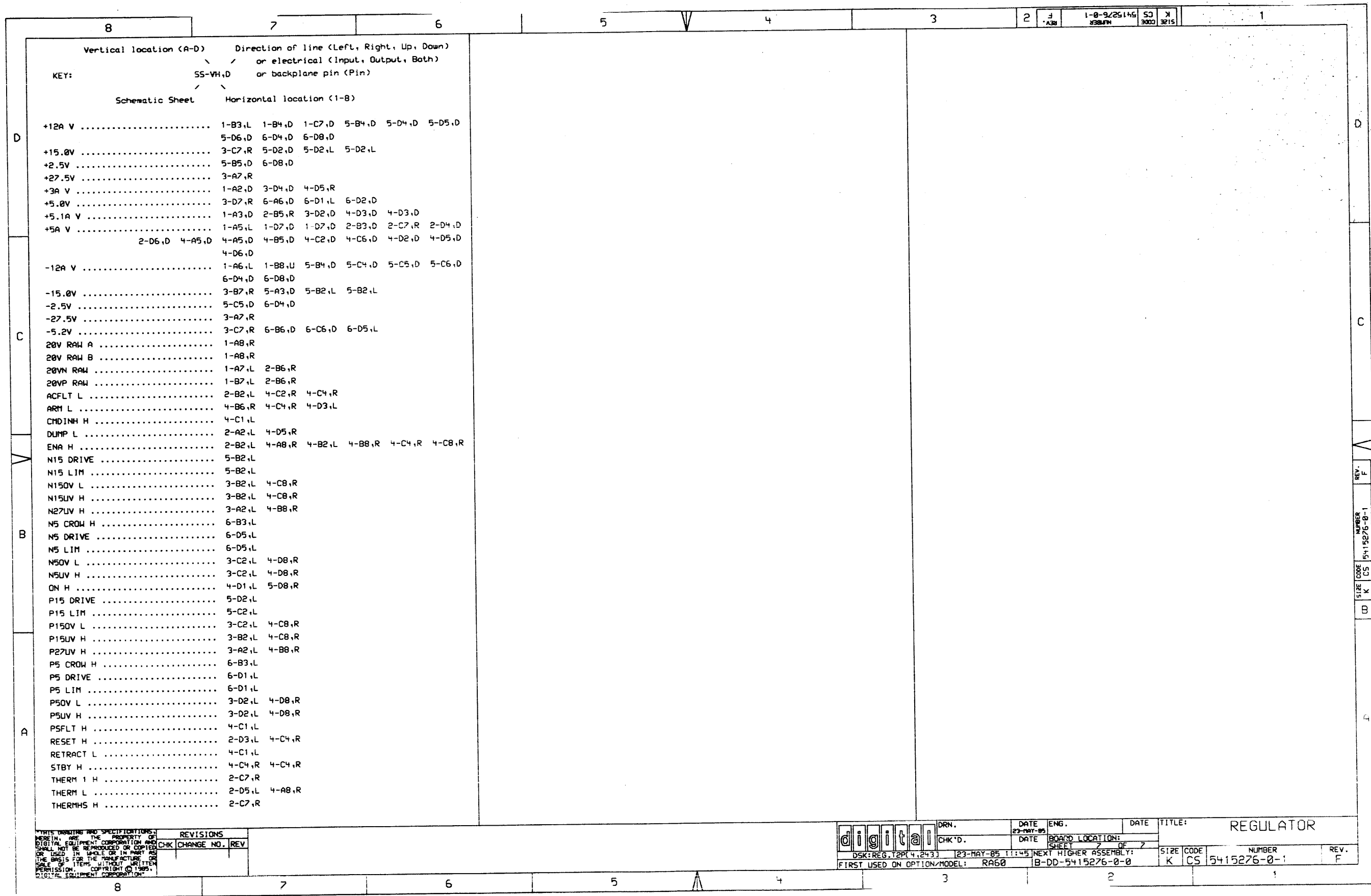
REV. F  
NUMBER 5415276-0-1  
SIZE CODE CS



NOTE: C28 AND C32 ARE NOT USED.

THIS DRAWING AND SPECIFICATIONS HEREIN ARE THE PROPERTY OF DIGITAL EQUIPMENT CORPORATION AND SHALL NOT BE REPRODUCED OR COPIED OR USED IN WHOLE OR IN PART AS THE BASIS FOR THE MANUFACTURE OR SALE OF ITEMS WITHOUT WRITTEN PERMISSION. COPYRIGHT © 1985, DIGITAL EQUIPMENT CORPORATION.		<b>REVISIONS</b> CHK CHANGE NO. REV		<b>digital</b> DRN. DATE 23-MAY-85 CHK'D. DATE 23-MAY-85 11:02		ENG. DATE BOARD LOCATION: SHEET 6 OF 7		TITLE: <b>REGULATOR</b>	
				SIZE CODE K CS NUMBER 5415276-0-1		NEXT HIGHER ASSEMBLY: B-DD-5415276-0-0		REV. F	
				FIRST USED ON OPTION/MODEL: RA60					

REV. F  
 NUMBER 5415276-0-1  
 SIZE CODE K CS



Vertical location (A-D)      Direction of line (Left, Right, Up, Down)  
 or electrical (Input, Output, Both)  
 or backplane pin (Pin)

KEY:      SS-VH,D      Schematic Sheet      Horizontal location (1-8)

+12A V	1-B3,L	1-B4,D	1-C7,D	5-B4,D	5-D4,D	5-D5,D
	5-D6,D	6-D4,D	6-D8,D			
+15.0V	3-C7,R	5-D2,D	5-D2,L	5-D2,L		
+2.5V	5-B5,D	6-D8,D				
+27.5V	3-A7,R					
+3A V	1-A2,D	3-D4,D	4-D5,R			
+5.0V	3-D7,R	6-A6,D	6-D1,L	6-D2,D		
+5.1A V	1-A3,D	2-B5,R	3-D2,D	4-D3,D	4-D3,D	
+5A V	1-A5,L	1-D7,D	1-D7,D	2-B3,D	2-C7,R	2-D4,D
	2-D6,D	4-A5,D	4-B5,D	4-C2,D	4-C6,D	4-D2,D
	4-D6,D					
-12A V	1-A6,L	1-B8,U	5-B4,D	5-C4,D	5-C5,D	5-C6,D
	6-D4,D	6-D8,D				
-15.0V	3-B7,R	5-A3,D	5-B2,L	5-B2,L		
-2.5V	5-C5,D	6-D4,D				
-27.5V	3-A7,R					
-5.2V	3-C7,R	6-B6,D	6-C6,D	6-D5,L		
20V RAW A	1-A8,R					
20V RAW B	1-A8,R					
20VN RAW	1-A7,L	2-B6,R				
20VP RAW	1-B7,L	2-B6,R				
ACFLT L	2-B2,L	4-C2,R	4-C4,R			
ARM L	4-B6,R	4-C4,R	4-D3,L			
CHDINH H	4-C1,L					
DUMP L	2-A2,L	4-D5,R				
ENA H	2-B2,L	4-A8,R	4-B2,L	4-B8,R	4-C4,R	4-C8,R
N15 DRIVE	5-B2,L					
N15 LIM	5-B2,L					
N150V L	3-B2,L	4-C8,R				
N15UV H	3-B2,L	4-C8,R				
N27UV H	3-A2,L	4-B8,R				
N5 CROW H	6-B3,L					
N5 DRIVE	6-D5,L					
N5 LIM	6-D5,L					
N50V L	3-C2,L	4-D8,R				
N5UV H	3-C2,L	4-D8,R				
ON H	4-D1,L	5-D8,R				
P15 DRIVE	5-D2,L					
P15 LIM	5-C2,L					
P150V L	3-C2,L	4-C8,R				
P15UV H	3-B2,L	4-C8,R				
P27UV H	3-A2,L	4-B8,R				
P5 CROW H	6-B3,L					
P5 DRIVE	6-D1,L					
P5 LIM	6-D1,L					
P50V L	3-D2,L	4-D8,R				
P5UV H	3-D2,L	4-D8,R				
PSFLT H	4-C1,L					
RESET H	2-D3,L	4-C4,R				
RETRACT L	4-C1,L					
STBY H	4-C4,R	4-C4,R				
THERM 1 H	2-C7,R					
THERM L	2-D5,L	4-A8,R				
THERMHS H	2-C7,R					

REVISIONS		
CHK	CHANGE NO.	REV

digital	DRN.	DATE	ENG.	DATE	TITLE:
	CHK'D.	23-MAY-85			REGULATOR
DSK:REG.T2P(4,243)		23-MAY-85 11:45		NEXT HIGHER ASSEMBLY:	
FIRST USED ON OPTION/MODEL: RA60		1B-DD-5415276-0-0		SIZE CODE	NUMBER
				K CS	5415276-0-1
				REV.	F

D  
C  
B  
A  
REV. P  
NUMBER 5415276-0-1  
SIZE CODE CS  
CD



0-0-0025145 M10

THIS DRAWING AND SPECIFICATIONS HEREIN ARE THE PROPERTY OF DIGITAL EQUIPMENT CORPORATION AND SHALL NOT BE REPRODUCED OR COPIED OR USED IN WHOLE OR IN PART AS THE BASIS FOR THE MANUFACTURE OR SALE OF ITEMS WITHOUT WRITTEN PERMISSION.  
COPYRIGHT © 1983 DIGITAL EQUIPMENT CORPORATION

ECO 5415280-CX005

COMPONENT DELETES: SIDE 1

- 5-1. DELETE Q68, (1519271-01).
- 5-2. DELETE Q69, (1519271-01).
- 5-3. DELETE Q70, (1519271-01).

COMPONENT ADDS: SIDE 1

- 5-6. ADD Q68, (1521421-01).
- 5-7. ADD Q69, (1521421-01).
- 5-8. ADD Q70, (1521421-01).
- 5-9. ADD F2, (1210929-09).
- 5-10. ADD F3, (1210929-09).
- 5-11. ADD F4, (1210929-09).
- 5-12. ADD F5, (1210929-09).
- 5-13. AFTER COMPLETING ALL REWORK STEPS,  
MARK THE MODULE C/S REV "D".

ECO 5415280-CX006

COMPONENT DELETES: SIDE 1

- 6-1. DELETE J806, (1212297-01).

COMPONENT ADDS: SIDE 1

- 6-2. ADD J806, (1212297-00).
- 6-3. ADD W2, (9009185-00).
- 6-4. ADD C3, (1005784-00).
- 6-5. ADD C4, (1005784-00).
- 6-6. ADD W5, (9009185-00).

MODULE MARKING:

- 6-7. AFTER COMPLETING ALL REWORK STEPS,  
MARK THE MODULE PART REV "E1".

REVISION HISTORY		
DATE	ECO NUMBER	REV.

TITLE			DOCUMENT NUMBER		
HEATSINK BOARD			REV.	PLANNER	FILE CODE
			J	5415280-0-0	DUA
			SCALE 1:1 SHEET 2 OF 2		

DUA 5415280-0-0 J

AUTOMATED BY PRTLST.3P(44)

PARTS LIST

SHEET A1 OF A2

LINE	ITEM	TOP DOCUMENT	PART NUMBER	REV	DESCRIPTION	QTY PER VARIATION		REFERENCE DESIGNATOR
						01	H1	
1	1	D-MD-5015279-0-0	5015279-00		REPLACED BY 5015279-01	1		
2	2		1020446-10		47 MFD 50V 20% AL EL	2		C24,C25
3	3		1001610-00		.01 MFD 50V +80-20% Z5U CER	4		C60,C63,C75,C79
4	4		1002839-00		20 MFD 50V +75-10% AL EL	2		C59,C74
5	5		1009433-00		190 MFD 12V +75-10% AL EL	2		C62,C77
6	6		1013466-22		.1 MFD 50V +80-20% Z5U CER	4		C11,C12,C15,C16
7	7		1105796-00		PIV= 400 IO= 1.00A 1N4004 DO-41	6		D8,D31,D61,D64,D76,D80
8	8		1109988-00		VZ= 13.0 5% 400 MW 1N964B	2		D44,D53
9	9		1117061-00		THYRISTOR, VDRM= 25 MC	2		CR10,CR14
10	10		1119311-01		RECT. ASSY PIV= 100 IO=24.00	6		D18,D19,D20,D21,D22,D23
11	11		1205747-00		FUSE, SUB-MINI, 5.000A, 125V, A	1		F1
12	12		1212297-01		MATE-N-LOK 04PIN(1X04),250CC HDR	1		J803
13	13		1212297-02		MATE-N-LOK 09PIN(2X05),250CC HDR	1		J801
14	14		1212297-03		MATE-N-LOK 03PIN(1X03),250CC HDR	1		J802
15	15		1212297-16		MATE-N-LOK 09PIN(1X09),250CC HDR	1		J804
16	16		1213071-02		INSULATOR,RUBBER SILICONE SM	12		
17	17		1213071-06		INSULATOR,RUBBER SILICONE	8		
18	18		1215580-00		INSULATOR,MOLDED	12		
19	19		1216832-04		PCB,HEADER 60POS(2X30),100CC 90D	1		J805
20	20		1216869-01	A	THERMOSTAT,87 C	1		S1
21	21		1219379-01		RLY,G.P., 24V COIL,DPDT, 5A	1		K30
22	22		1219382-01		RLY,G.P., 24V COIL,DPDT,10A	1		K1
23	23		1300197-00		33.0 .25 W 5.0 % CF	1		R72
24	24		1300260-00		180.0 .50 W 5.0 % CF	1		R7
25	25		1300292-00		300.0 1.0 W 5.0 % CC	3		R82,R85,R87
26	26		1300309-00		390.0 .25 W 5.0 % CF	6		R41,R42,R43,R81,R84,R86
27	27		1301317-00		10.0 .25 W 5.0 % CF	2		R13,R17
28	28		1301477-00		82.0 .25 W 5.0 % CF	2		R9,R78
29	29		1309855-00		300.0 2.0 W 5.0 % CC	3		R38,R39,R40
30	30		1311465-00		43.0 .25 W 5.0 % CF	1		R6

REVISION HISTORY			BASIC PART NO: 5415280			DRN: SUE BOURBEAU DATE: 17-AUG-82			D I G I T A L		
ENG	ECO NUMBER	REV	SECTION A OF A			CHK'D: RON MICHAUD DATE: 17-AUG-82			TITLE PARTS LIST		
	5415280-CX002	B	SECTION VARIATION INDEX								
CT	5415280-CX003	C	[A] 01								
CT	5415280-CX005	D	[B]								
CT	5415280-CX006	E	[C]			DES.ENG: CRAIG TOMALTY DATE: 17-AUG-82			DOCUMENT NUMBER		
CT	5415280-CX007	F	[D]						SIZE CODE NUMBER REV		
WH	5415280-CX009	H	[E]			RESP.ENG.: CRAIG TOMALTY DATE: 17-AUG-82			K PL 5415280-0-DBP H		
			[F]								
			[G]								
			[H]								
			[I]			MFG.ENG.: JOHN PAPA DATE: 17-AUG-82			RELEASE DATE:		
			[J]								
			[K]								
			[L]								
			[M]			ASSEMBLY NUMBER: D-UA-5415280-0-0			TOP DOCUMENT NUMBER: B-DD-5415280-0		
			[N]						FILE NAME: Z2189H.PLS		
									EDIT #: 6		

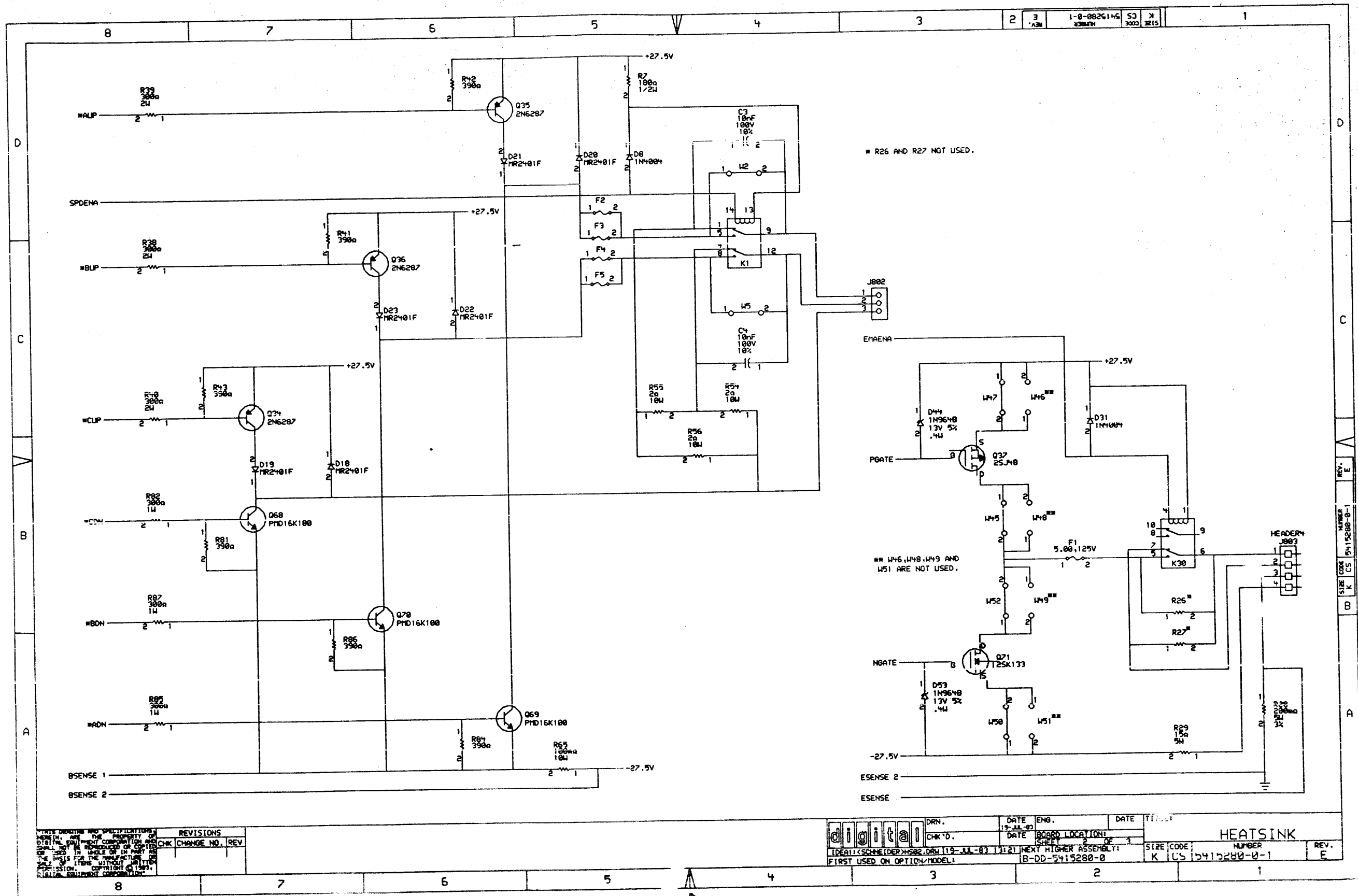
"THIS DRAWING AND THE SPECIFICATIONS CONTAINED HEREIN ARE CONFIDENTIAL AND PROPRIETARY. THEY ARE THE PROPERTY OF DIGITAL EQUIPMENT CORPORATION AND SHALL NOT BE REPRODUCED OR COPIED OR USED IN WHOLE OR IN PART AS THE BASIS FOR THE MANUFACTURE OR SALE OF ITEMS WITHOUT WRITTEN PERMISSION. THIS IS AN UNPUBLISHED WORK PROTECTED UNDER THE FEDERAL COPYRIGHT LAWS."



LINE	ITEM	TOP DOCUMENT	PART NUMBER	MIN REV	DESCRIPTION	QTY PER VARIATION		REFERENCE DESIGNATOR
						01	H1	
31	31		1313358-00		.20 5.0 W 3.0 % WW	3		R28,R58,R73
32	32		1319309-01		.10 10.0 W 5.0 % WW	3		R57,R65,R83
33	33		1319309-03		2.0 10.0 W 5.0 % WW	3		R54,R55,R56
34	34		1319378-01		15.0 5.0 W 5.0 % WW	1		R29
35	35		1516120-02		2N 6285 PNP 60V 20A	1		Q32
36	36		1511282-00		MJ2500 PNP 150WC SI 60 5 1K 5A	1		Q67
37	37		1511349-00		TIP 640 (OR MJ3000) NPN DARLINGT	2		Q33,Q66
38	38		1521421-01	A	NPN 100V 20A TO-3	3		Q68,Q69,Q70
39	39		1519272-01		2N 6287 PNP 100V 20A	3		Q34,Q35,Q36
40	40		1520230-01		2SK 133 FET 120V 7A N CHNNL TO	1		Q71
41	41		1520231-01		2SJ 48 FET 120V 7A P CHNNL TO	1		Q37
42	42		7019068-01		HEAT SINK ASSEMBLY	1		
43	43		9006023-01		SCREW,MACH PAN PHIL 6-	4		
44	44		9006025-01		SCREW,MACH PAN PHIL 6-	24		
45	45		9006560-00		NUT,HEX EXT TOOTH LCKWSHR 6-32	24		
46	46		9006656-00		WASHER,FLAT STEEL	28		
47	47		9008301-01		SCREW,MACH PAN PHIL 4-	8		
48	48		9009185-00		JUMPER, WIRE, INSULATED, BLACK B	6		W45,W47,W50,W52,W2,W5
49	49		9009676-00		TERM,SOLDER BARRIER STR	12		
50	50		9009785-00		INSULATOR, SHOULDER	8		
51	51	D-IA-7020192-0-0	7020192-01		HEATSINK BOARD CABLE ASSEMBLY	1		
52	52		9107360-00		WIRE, 18AWG( 19/30)IPVC 150V	A/R		
53	53		9010190-00		TIE,CABLE BUNDL.DIA - 5/8"MAX	1		
54	54		1210929-09	K	FUSE, SUB-MINI, 7.000A, 125V,AXI	4		F2,F3,F4,F5
55	55		1212297-00	M	MATE-N-LOK 02PIN(1X02).250CC HDR	1		J806
56	56		1005784-00	CR	.01 MFD 100V 200V 10% MYL	2		C3,C4
57	57		3616923-36	A	LABEL,J801	1		
58	58		3616923-37	A	LABELS,J8-02	1		
59	59		3616923-38	A	LABELS,J803	1		
60	60		3616923-39	A	LABELS,J804	1		
61	61		3616923-33	A	LABEL,REFERENCE DESIGNATOR,J806	1		

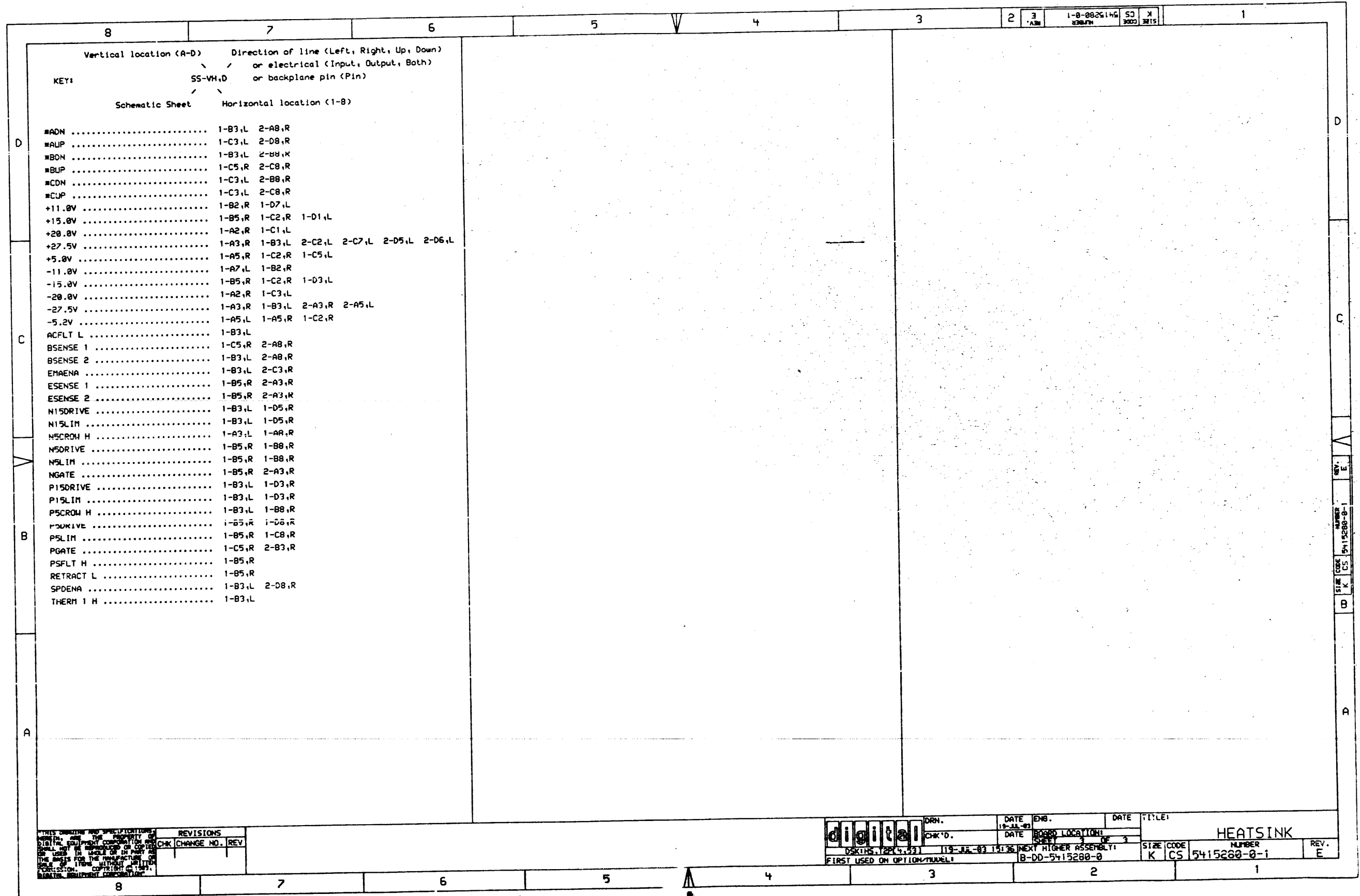
D	I	G	I	T	A	L	TITLE	SECTION A OF A	SIZE	CODE	DOCUMENT NUMBER	REV
							HEATSINK		K	PL	5415280-0-DBP	H





REV.	NO.	DESCRIPTION

digital	DRN.	DATE	ENG.	DATE	TITLE
	CHK'D.	DATE	BOARD LOCATION	SHEET	OF
FIRST USED ON OPTION MODEL:		NEXT HIGHER ASSEMBLY:		SIZE	CODE
B-DD-5415280-0		B-DD-5415280-0		K	CS
HEATSINK				NUMBER	REV.
5415280-0-1				E	E



Vertical location (A-D)      Direction of line (Left, Right, Up, Down)  
 or electrical (Input, Output, Both)  
 or backplane pin (Pin)

KEY:      SS-VH,D

Schematic Sheet      Horizontal location (1-8)

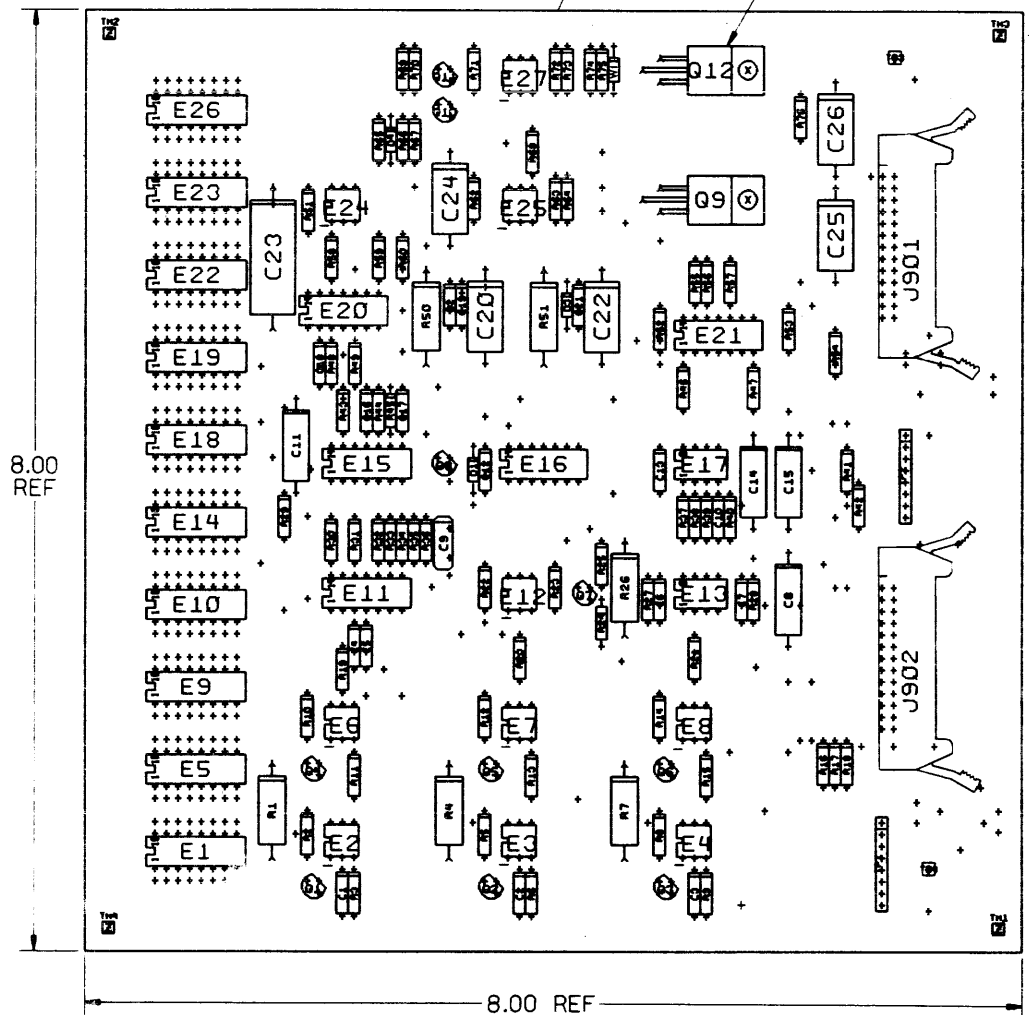
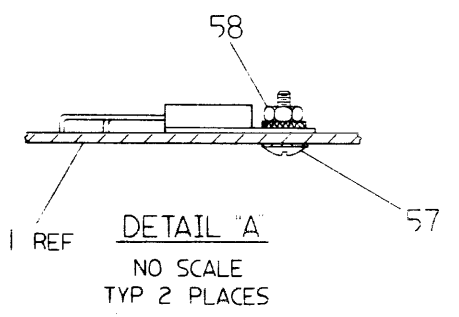
#ADN	1-B3,L	2-A8,R
#AUP	1-C3,L	2-D8,R
#BDN	1-B3,L	2-B8,R
#BUP	1-C5,R	2-C8,R
#CDN	1-C3,L	2-B8,R
#CUP	1-C3,L	2-C8,R
+11.0V	1-B2,R	1-D7,L
+15.0V	1-B5,R	1-C2,R
+20.0V	1-A2,R	1-C1,L
+27.5V	1-A3,R	1-B3,L
+5.0V	1-A5,R	1-C2,R
-11.0V	1-A7,L	1-B2,R
-15.0V	1-B5,R	1-C2,R
-20.0V	1-A2,R	1-C3,L
-27.5V	1-A3,R	1-B3,L
-5.2V	1-A5,L	1-A5,R
ACFLT L	1-B3,L	
BSENSE 1	1-C5,R	2-A8,R
BSENSE 2	1-B3,L	2-A8,R
EMAENA	1-B3,L	2-C3,R
ESENSE 1	1-B5,R	2-A3,R
ESENSE 2	1-B5,R	2-A3,R
N1SDRIVE	1-B3,L	1-D5,R
N1SLIM	1-B3,L	1-D5,R
N5CROM H	1-A3,L	1-AA,R
N5DRIVE	1-B5,R	1-B8,R
N5LIM	1-B5,R	1-B8,R
NGATE	1-B5,R	2-A3,R
P1SDRIVE	1-B3,L	1-D3,R
P1SLIM	1-B3,L	1-D3,R
P5CROM H	1-B3,L	1-B8,R
P5DRIVE	1-B5,R	1-D6,R
P5LIM	1-B5,R	1-C8,R
PGATE	1-C5,R	2-B3,R
PSFLT H	1-B5,R	
RETRACT L	1-B5,R	
SPDENA	1-B3,L	2-D8,R
THERM 1 H	1-B3,L	

REVISIONS	CHK	CHANGE NO.	REV.

digital	DRN.	DATE	ENG.	DATE	TITLE
	CHK'D.	DATE	BOARD LOCATION	SHEET	OF
FIRST USED ON OPTION/MODEL:		NEXT HIGHER ASSEMBLY:		SIZE CODE	NUMBER
B-DD-5415280-0		B-DD-5415280-0		K CS	5415280-0-1

REV. E  
 NUMBER 5415280-0-1  
 SIZE CODE K CS

COMPONENT SIDE VIEW



THIS DRAWING AND SPECIFICATIONS, HEREIN, ARE THE PROPERTY OF DIGITAL EQUIPMENT CORPORATION AND SHALL NOT BE REPRODUCED OR COPIED OR USED IN WHOLE OR IN PART AS THE BASIS FOR THE MANUFACTURE OR SALE OF ITEMS WITHOUT WRITTEN PERMISSION.  
COPYRIGHT © 1983 DIGITAL EQUIPMENT CORPORATION

NOTES: 1. THE FOLLOWING ARE SPARES: E1, E5, E9, E10, E14, E18, E19, E22, E23, E26, R65-R70, R72, D4, Q10, Q11.

CHK/CHANGE NO.	REV	DATE	BY	REASON
2127	D	11 MAR 83	C. TOMALTY	
2164	E	03 JUL 83	C. TOMALTY	

STEP 1 → + Y AXIS 0 STEP 0 TIMES 2ACS  
REPEAT → + X AXIS 0 STEP 1 TIMES

ETCH REV. D-P3
----------------

SIGNATURES	DATE	TITLE
DRN. Eric Jensen	1 MAR 83	digital
CHK'D. J. Bourbeau	24 APR 83	
MECH. ENG. C. Jensen	2 MAY 83	
PROJ. ENG. C. Jensen	2 MAY 83	
PROD. C. Jensen	2 MAY 83	
SCALE: 1.5/1	SIZE CODE	NUMBER
SHT. 1 OF 1	D UA	5415282-0-0 E
NEXT HIGHER ASSY. B-DD-5415282-0		

LINE	ITEM	TOP DOCUMENT	PART NUMBER	MIN REV	DESCRIPTION	QTY	PER VARIATION	REFERENCE DESIGNATOR
						01		
						D1		
1	1	B-DD-5015281-0	5015281-01	D	DRILL AND ETCH	1		
2	2		1000042-00		1000.0 MMF 100V 5%200PPM MICA	1		C9
3	3		1001610-00		.01 MFD 50V +80-20% Z5U CER	10		C4,C5,C6,C7,C12,C16,C17,C18,C19,
4	4		1002629-00		.15 MFD 100V 10% MYLR	1	CONT	C21
5	5		1005784-00		.01 MFD 100V 200V 10% MYL	4		C23
6	6		1012084-01		8 MFD 25V +75-10% AL EL	5		C8,C11,C14,C15
7	7		1012784-00		.047 MFD 50V +80-20% CER	2		C20,C22,C24,C25,C26
8	8		1013466-08		680.0 MMF 50V 10% X7R CER	3		C10,C13
9	9		1105648-01		VZ= 15.0 5% 1 W 1N4744A	1		C1,C2,C3
10	10		1105871-00		VZ= 5.15 1% 250 MW	1		D3
11	11		1113003-00		PIV= 55 IO=200 MA - 4NS 1N5282	1		D2
12	12		1210385-01		PCB HEADER PIN	2		D1
13	13		1216598-00		PCB,HEADER 08PIN(1X08).100CC STR	2		TP3,TP4
14	14		1216832-01		PCB,HEADER 26POS(2X13).100CC 90D	2		TP1,TP2
15	15		1300229-00		100.0 .25 W 5.0 % CF	4		J901,J902
16	16		1300295-00		330.0 .25 W 5.0 % CF	10		R53,R55,R56,R57
17	17		1320602-37	A	240.0 2.0 W 5.0 % M.OXIDE	1	CONT	R2,R5,R8,R10,R12,R14,R22,R61,
18	18		1300447-00		*** THIS ITEM IS NOT USED ***	-		R62,R71
19	19		1300479-00		10.0 K .25 W 5.0 % CF	8		R51
20	20		1300496-00		*** THIS ITEM IS NOT USED ***	-		R16,R17,R18,R32,R41,R42,R54,R76
21	21		1300525-00		59.0 K .25 W 1.0 % RN55D-F10	1		R52
22	22		1301808-00		*** THIS ITEM IS NOT USED ***	-		
23	23		1303114-00		1.0 K .25 W 1.0 % RN55D-F10	12		R11,R13,R15,R25,R28,R36,R37,R40,
24	24		1304866-00		2.0 K .25 W 1.0 % RN55D-F10	2	CONT	R64,R73,R74,R75
25	25		1304867-00		7.0 K .25 W 1.0 % RN55D-F10	2		R31,R63
26	26		1305143-00		825.0 .25 W 1.0 % RN55D-F10	1		R27,R44
27	27		1305325-00		8.25 K .25 W 1.0 % RN55D-F10	1		R43
								R33

REVISION HISTORY			BASIC PART NO: 5415282				
ENG	ECO NUMBER	REV	SECTION A OF A	DRN:	SHERI LEHMAN	DATE: 29-APR-83	D I G I T A L
CT	5415282-CX003	D	SECTION VARIATION INDEX	CHK'D:	SUE BOURBEAU	DATE: 29-APR-83	TITLE PARTS LIST
CT	5415282-CX004	E	[A] 01	DES.ENG:	CRAIG TOMALTY	DATE: 29-APR-83	DOCUMENT NUMBER
			[B]	RESP.ENG.:	CRAIG TOMALTY	DATE: 29-APR-83	SIZE CODE NUMBER REV
			[C]	MFG.ENG.:	C. FONG	DATE: 29-APR-83	K PL 5415282-0-DBP E
			[D]	ASSEMBLY NUMBER:		TOP DOCUMENT NUMBER:	FILE NAME: CREDIT
			[E]	D-UA-5415282-0-0		#B-DD-5415282-0	Z2190E.PLS 3
			[F]				
			[G]				
			[H]				
			[I]				
			[J]				
			[K]				
			[L]				
			[M]				
			[N]				

"THIS DRAWING AND THE SPECIFICATIONS CONTAINED HEREIN ARE CONFIDENTIAL AND PROPRIETARY. THEY ARE THE PROPERTY OF DIGITAL EQUIPMENT CORPORATION AND SHALL NOT BE REPRODUCED OR COPIED OR USED IN WHOLE OR IN PART AS THE BASIS FOR THE MANUFACTURE OR SALE OF ITEMS WITHOUT WRITTEN PERMISSION. THIS IS AN UNPUBLISHED WORK PROTECTED UNDER THE FEDERAL COPYRIGHT LAWS."

AUTOMATED BY PRISUD.2B(4)

PARTS LIST

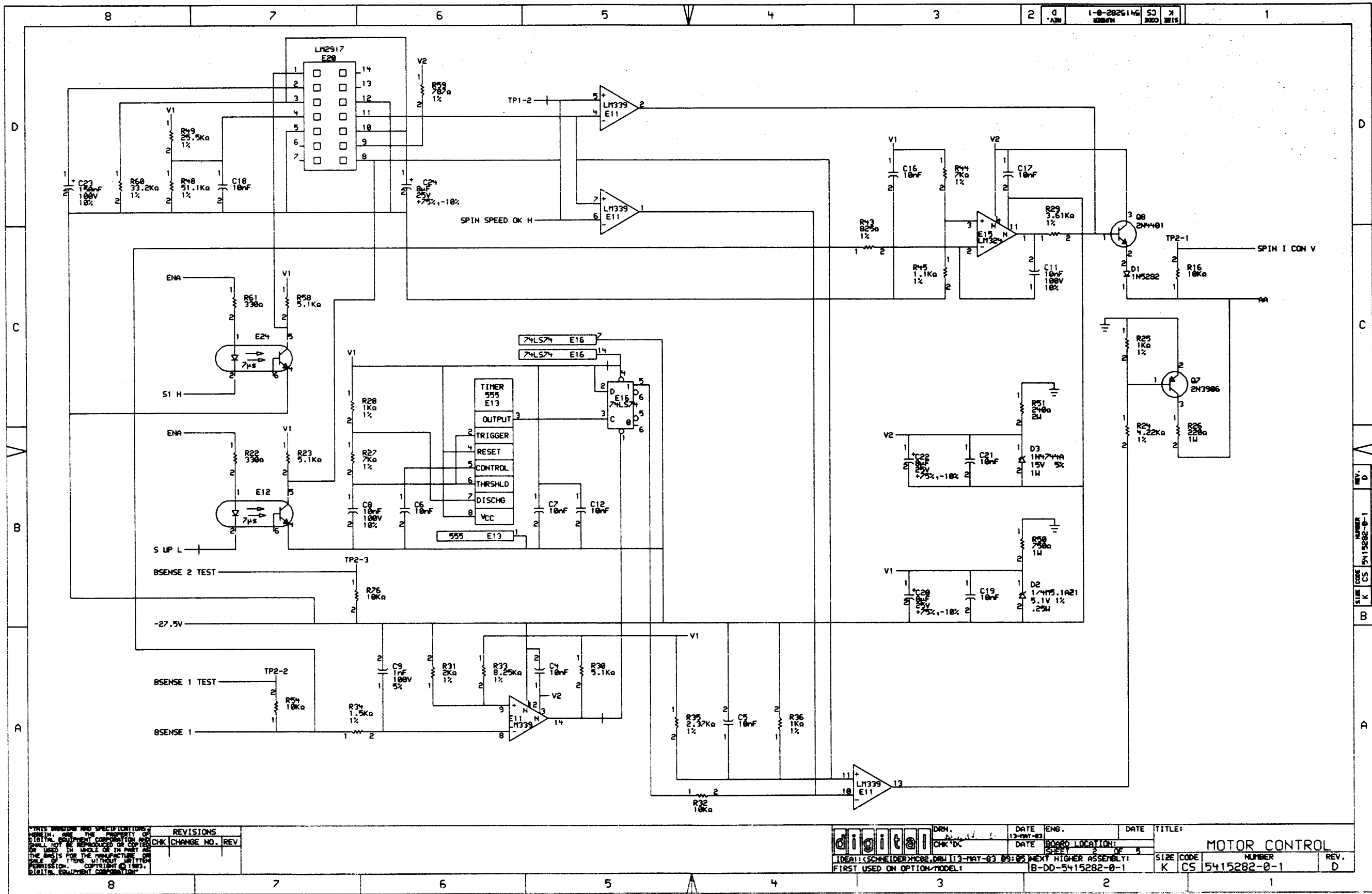
SHEET A2 OF A2

LINE	ITEM	TOP DOCUMENT	PART NUMBER	MIN REV	DESCRIPTION	QTY PER VARIATION	REFERENCE DESIGNATOR
						01 D1	
28	28		1305420-00		33.20 K .25 W 1.0 % RN55D-F10	1	R60
29	29		1319470-29	A	750.0 1.0 W 5.0 % M.OXIDE	1	R50
30	30		1310632-00		2.37 K .25 W 1.0 % RN55D-F10	1	R35
31	31		1311594-00		30.10 K .25 W 1.0 % RN55D-F10	2	R38,R39
32	32		1312930-00		5.10 K .25 W 5.0 % CF	6	R3,R6,R9,R23,R30,R58
33	33		1313343-00		28.70 K .25 W 1.0 % RN55D-F10	2	R46,R47
34	34		1313347-00		220.0 1.0 W 5.0 % CC	4	R1,R4,R7,R26
35	35		1313476-00		51.10 K .25 W 1.0 % RN55D-F10	1	R48
36	36		1313590-00		1.50 K .25 W 1.0 % RN55D-F10	4	R19,R20,R21,R34
37	37		1313794-00		787.0 .25 W 1.0 % RN55D-F10	1	R59
38	38		1313918-00		*** THIS ITEM IS NOT USED ***	-	
39	39		1315435-00		25.50 K .25 W 1.0 % RN55D-F10	1	R49
40	40		1302645-00	A	1.10 K .25 W 1.0 % RN55D-F10	1	R45
41	41		1317183-00		3.61 K .25 W 1.0 % RN55D-F10	1	R29
42	42		1317398-00		4.22 K .25 W 1.0 % RN55D-F10	1	R24
43	43		1509524-00		*** THIS ITEM IS NOT USED ***	-	
44	44		1509525-00		2N 3906 PNP 310MW SI 40100 Y	1	Q7
45	45		1510705-00		*** THIS ITEM IS NOT USED ***	-	
46	46		1510727-01		OPTO COUPLED ISOLATOR	4	E12,E24,E25,E27
47	47		1513489-00		2N 4401 NPN 350MW SI 40 20	7	Q1,Q2,Q3,Q4,Q5,Q6,Q8
48	48		1519270-01		TIP 31A NPN 50V 3A	2	Q9,Q12
49	49		1910298-00		741 OP AMP GEN PURP. COM	1	E17
50	50		1911944-00		555CN TIMER,FUNCT.BLOCK	1	E13
51	51		1912107-00		324 OP AMP,QUAD	1	E15
52	52		1912108-00		339 VOLT CMPRTR,QUAD	1	E11
53	53		1912824-00		LS74 FF-D DUAL,EDGE TRIGG	1	E16
54	54		1919312-01		6501 NPN/PNP TRANSISTOR A	1	E21
55	55		1919313-01		OPTICAL COUPLER 6PIN DIP	6	E2,E3,E4,E6,E7,E8
56	56		1921531-01		2917 CONVERTER,FREQ. TO V	1	E20
57	57		9006010-01		CR SCREW,MACH PAN PHIL 4-	2	
58	58		9006557-00		CR NUT,HEX EXT TOOTH LCKWSHR 4-40	2	
59	59		9009185-00	B	JUMPER, WIRE, INSULATED, BLACK B	1	W1

D	I	G	I	T	A	L	TITLE	SECTION A OF A	SIZE	CODE	DOCUMENT NUMBER	REV
							MOTOR CONTROL		K	PL	5415282-0-DBP	E



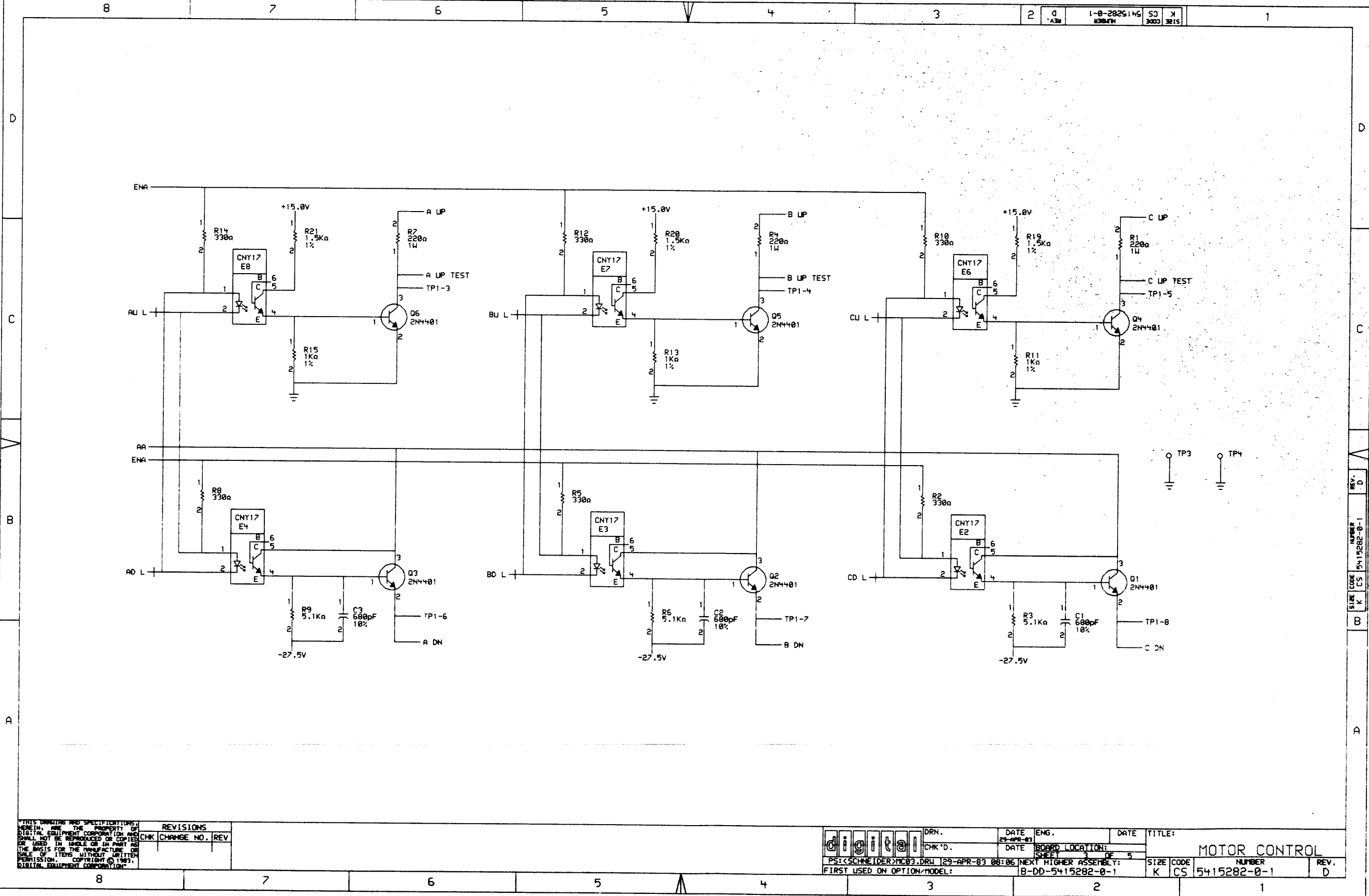




THIS DRAWING AND SPECIFICATIONS ARE THE PROPERTY OF DIGITAL EQUIPMENT CORPORATION AND SHALL BE REPRODUCED OR COPIED IN WHOLE OR IN PART WITHOUT THE WRITTEN PERMISSION OF DIGITAL EQUIPMENT CORPORATION.

REVISIONS	
CHK	CHANGE NO. REV

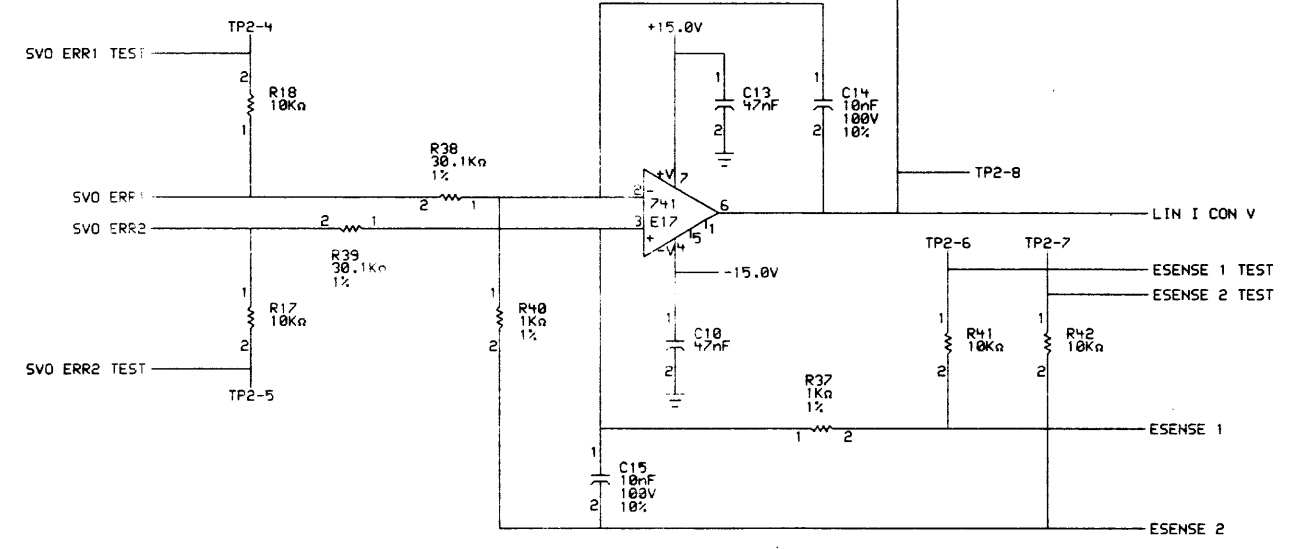
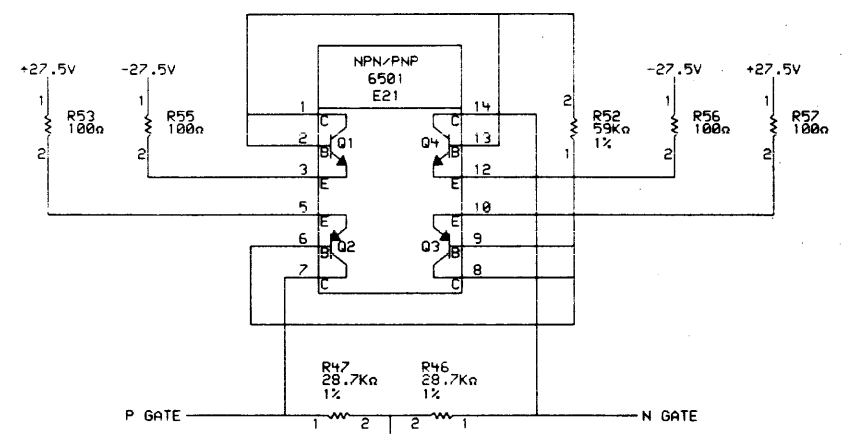
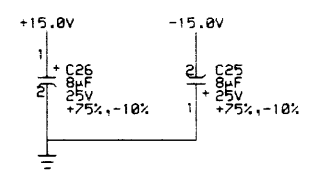
	DRN.	DATE	ENG.	DATE	TITLE:
	CHK'DC	13-MAY-83	BOSSO		MOTOR CONTROL
IDEAL: SCHEIDER MOBE.DRW 113-MAY-83 09:05 NEXT HIGHER ASSEMBLY:		B-DD-5415282-0-1		SIZE CODE K CS	NUMBER 5415282-0-1
FIRST USED ON OPTION MODEL:		B-DD-5415282-0-1		REV. D	



THIS DRAWING AND SPECIFICATIONS ARE THE PROPERTY OF DIGITAL EQUIPMENT CORPORATION AND SHALL NOT BE REPRODUCED OR COPIED IN WHOLE OR IN PART OR USED IN ANY MANNER OR FOR ANY PURPOSE WITHOUT WRITTEN PERMISSION. COPYRIGHT © 1983, DIGITAL EQUIPMENT CORPORATION.

REVISIONS		
CHK	CHANGE NO.	REV

digital	DRN.	DATE	ENG.	DATE	TITLE:
	CHK'D.	DATE	BOARD LOCATION:	SHEET	OF
PS1<<SCHNEIDER>>M03.DRW [29-APR-83 08:06] NEXT HIGHER ASSEMBLY:					MOTOR CONTROL
FIRST USED ON OPTION/MODEL:					B-DD-5415282-0-1
SIZE	CODE	NUMBER	REV.		
K	CS	5415282-0-1	D		



THIS DRAWING AND SPECIFICATIONS ARE THE PROPERTY OF DIGITAL EQUIPMENT CORPORATION AND SHALL NOT BE REPRODUCED OR COPIED OR USED IN WHOLE OR IN PART AS THE BASIS FOR THE MANUFACTURE OR SALE OF ITEMS WITHOUT WRITTEN PERMISSION. COPYRIGHT © 1989, DIGITAL EQUIPMENT CORPORATION.

REVISIONS	
CHK	CHANGE NO. REV

digital	DRN.	DATE	ENG.	DATE	TITLE:
	CHK'D.	29-APR-93			MOTOR CONTROL
PS: SCHNEIDER/MCM.DRW 129-APR-93 08:07		NEXT HIGHER ASSEMBLY:		SIZE CODE	NUMBER
FIRST USED ON OPTION/MODEL:		B-DD-5415282-0-1		K CS	5415282-0-1
					REV. D

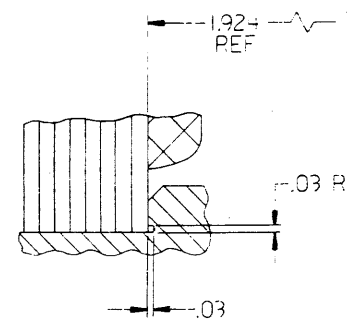




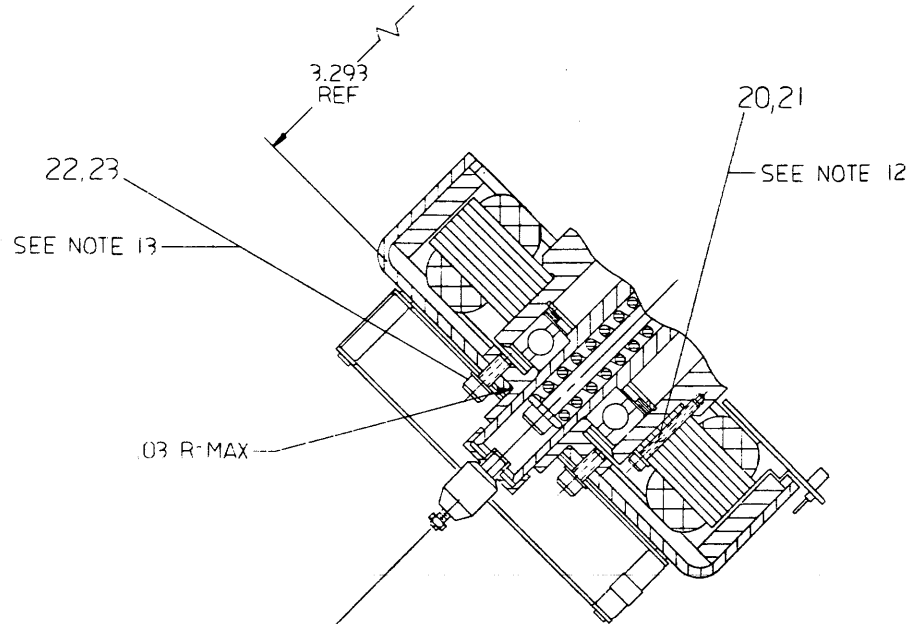
THIS DRAWING AND SPECIFICATIONS HEREIN ARE THE PROPERTY OF DIGITAL EQUIPMENT CORPORATION AND SHALL NOT BE REPRODUCED OR COPIED OR USED IN WHOLE OR IN PART AS THE BASIS FOR THE MANUFACTURE OR SALE OF ITEMS WITHOUT WRITTEN PERMISSION.  
 COPYRIGHT © 1981, DIGITAL EQUIPMENT CORPORATION

SIZE CODE D  
 NUMBER 7017740-0-0  
 REV 0

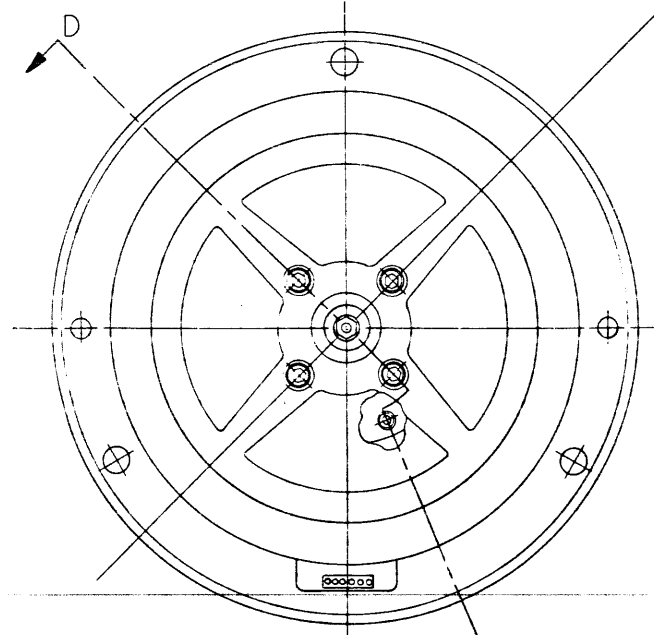
- NOTES:
15. PART SHALL BE ADEQUATELY PACKAGED TO PREVENT DAMAGE IN SHIPPING AND HANDLING PER VENDOR SPECIFICATION.
  16. ASSEMBLIES TO HAVE SERIAL NO., PART NO., REV LETTER AND VENDOR IDENTIFICATION NO. MARKED IN CONTRASTING COLOR, IN AREA SHOWN.
  17. APPLY LUBRICANT (ITEM 36) TO I.D. OF SPINDLE SHAFT (ITEM 2) WHERE IT CONTACTS SPRING (ITEM 7).
  18. APPLY LUBRICANT (ITEM 37) TO 3/8-24 THREAD OF LOCKSHAFT ASSEMBLY (ITEM 3).
  19. DIAMETER AND RUNOUT APPLIES TO PACK LOCATOR (ITEM 5) ONLY.
  20. FERROMAGNETIC EXCLUSION SEAL (ITEM 15) TO BE FILLED WITH 65 ul OF MAGNETIC FLUID (ITEM 34).



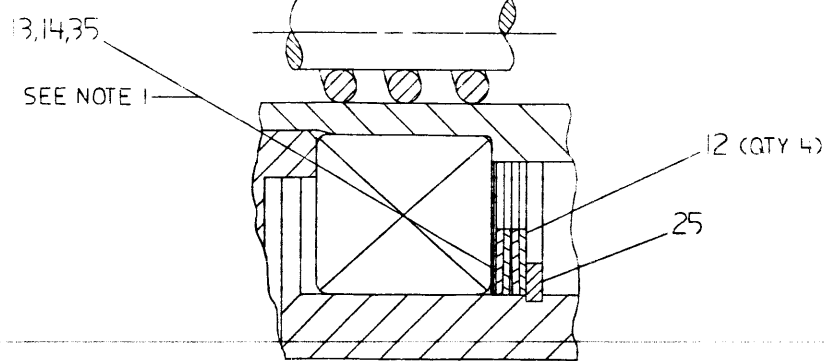
DETAIL D  
 SCALE: 2/1



SECTION D-D  
 SCALE: 1/1



VIEW C-C  
 SCALE: 1/1



DETAIL B  
 SCALE: 4/1

REVISION HISTORY		
DATE	ECO NUMBER	REV.

TITLE SPINDLE ASSY

DOCUMENT NUMBER		
SIZE CODE	NUMBER	REV.
DIA	7017740-0-0	D
SCALE	1/1	SHEET 2 OF 2

DMB 137A

PARTS LIST

LINE	ITEM	TOP DOCUMENT	PART NUMBER	MIN REV	DESCRIPTION	QTY	PER VARIATION
					VARIATION REVISION LEVEL:	01	D1
1	1	D-MD-7424332-0-0	7424332-02		HOUSING SPINDLE(MACHINING)	1	
2	2	D-MD-7424333-0-0	7424333-01		SHAFT, SPINDLE	1	
3	3	C-IA-7017741-0-0	7017741-01		LOCKSHAFT ASSEMBLY	1	
4	4		1218656-00		SCREW, SHLD HEX SOC	10-	
5	5	D-MD-7424336-0-0	7424336-01		LOCATOR, PACK	1	
6	6	D-MD-7424337-0-0	7424337-01		HUB, ROTOR	1	
7	7	C-MD-7424338-0-0	7424338-01		SPRING, LOCKSHAFT	1	
8	8	C-MD-7424339-0-0	7424339-01		SPRING, RETAINER	1	
9	9		1218204-02		GROUNDING ASSY	1	
10	10	D-MD-7424341-0-0	7424341-01		WHEEL, BLOWER	1	
11	11	C-MD-7425422-0-0	7425422-01		SPINDLE CAP/RECP	1	
12	12		1217704-00		SPRING, DISK	1.8300DX .059	
13	13		1218892-01		SHIM, BRASS/SS	0.003THK	A/R
14	14		1218892-02		SHIM, BRASS/SS	0.007THK	A/R
15	15		1217705-00		SEAL, FERROMETIC EXCLUSION		
16	16		9000044-09		SCREW, SET CUP SOC 1/4-20X 3/8		A/R
17	17		1217706-01		BEARING, BALL SHIELD 2.04720D		
18	18		1217706-00		BEARING, BALL SHIELD 1.85040D		
19	19	D-IA-1217709-0-0	1217709-00		MOTOR, BRUSHLESS 48VDC		
20	20		9006334-08		SCREW, CAP SOC HEX	6-	
21	21		9009882-00		WASHER, LOCK INTERNAL SST		
22	22		9006349-08		SCREW, CAP SOC HEX	10-	
23	23		9009896-00		WASHER, LOCK INTERNAL SST		
24	24		9006021-01		SCREW, MACH PAN PHIL	6-	
25	25		9010249-00		RING, RETAINER INTERNAL FOR 1.850		
26	26		9007722-10		SCREW, SET CUP HEX 1/4-20X 1/4		A/R
27	27	D-MD-7424343-0-0	7424343-01		WASHER, LOCKSHAFT		
28	28		1217711-00		CLIP, BALANCING .113G		A/R
29	29		1217711-01		CLIP, BALANCING .227G		A/R
30	30		1217711-02		CLIP, BALANCING .340G		A/R

REVISION HISTORY			BASIC PART NO: 7017740			
ENG	ECO NUMBER	REV	SECTION A OF A	DRN: L. DILGER	DATE: 01-FEB-81	D I G I T A L
BM	INITIAL RELEASE	A	SECTION VARIATION INDEX	CHK'D: D. MILLER	DATE: 25-JUN-82	TITLE PARTS LIST
BM	RA60-CX012	B	[AJ01]			SPINDLE ASSY
KC	RA60-CX013	C		DES. ENG: B. MILLER	DATE: 25-JUN-82	DOCUMENT NUMBER
MK	RA60-CX019	D	[B]			SIZE CODE NUMBER REV
			[C]	RESP. ENG.: B. MILLER	DATE: 25-JUN-82	K PL 7017740-0-DBP D
			[D]			
			[E]	MFG. ENG.: K. WOOLF	DATE: 25-JUN-82	RELEASE DATE: 04-MAY-84
			[F]	ASSEMBLY NUMBER:	TOP DOCUMENT NUMBER:	FILE NAME: EDIT #
				D-IA-7017740-0-0	D-IA-7017740-0-0	Z2145D.PLS 13

"THIS DRAWING AND THE SPECIFICATIONS CONTAINED HEREIN ARE CONFIDENTIAL AND PROPRIETARY. THEY ARE THE PROPERTY OF DIGITAL EQUIPMENT CORPORATION AND SHALL NOT BE REPRODUCED OR COPIED OR USED IN WHOLE OR IN PART AS THE BASIS FOR THE MANUFACTURE OR SALE OF ITEMS WITHOUT WRITTEN PERMISSION. THIS IS AN UNPUBLISHED WORK PROTECTED UNDER THE FEDERAL COPYRIGHT LAWS."

AUTOMATED BY PRTLST.3P(44)

P A R T S L I S T

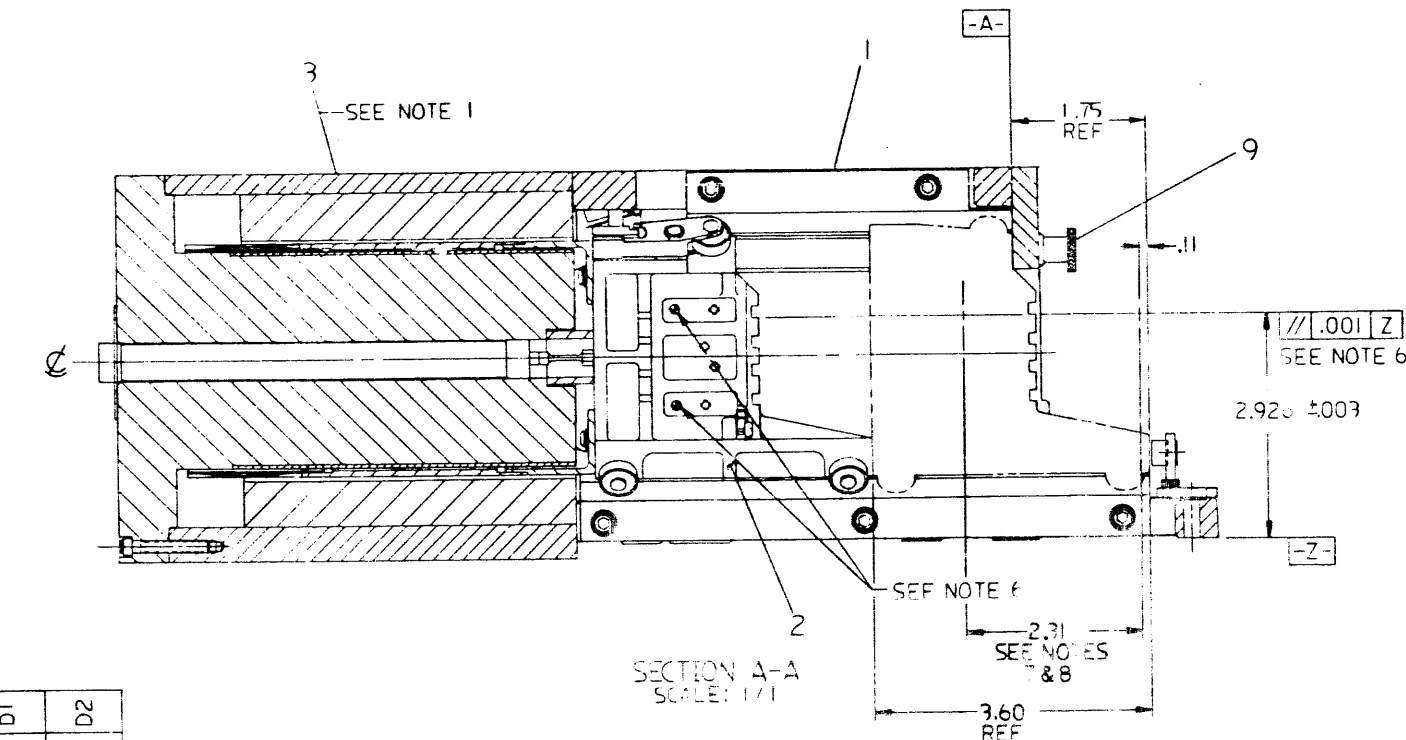
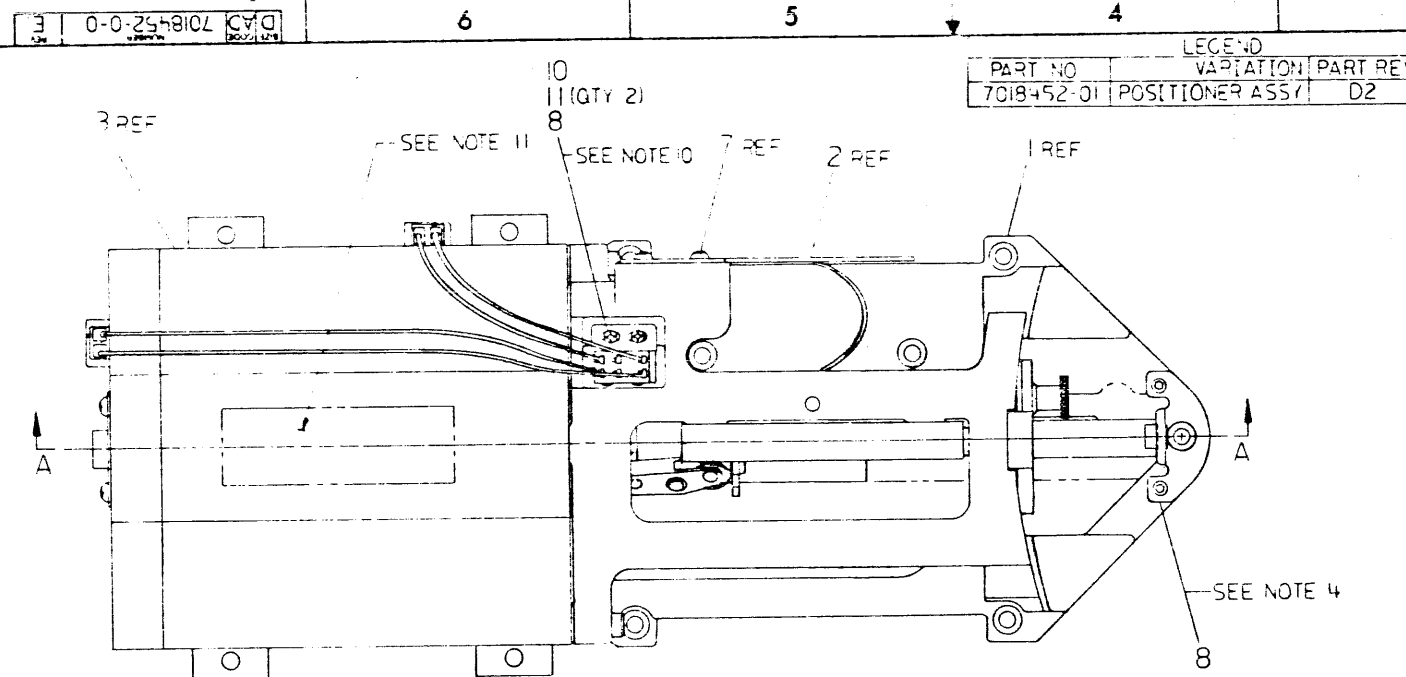
SHEET A2 OF A2

LINE	ITEM	TOP DOCUMENT	PART NUMBER	MIN REV	DESCRIPTION	QTY	PER VARIATION
31	31		1217711-03		CLIP,BALANCING .454G	A/R	01
32	32		4901093-00		ADHESIVE, ANAEROBIC, RESIN BASE	A/R	D1
33	33		4901410-00		GREASE,HIGH TEMPERATURE	A/R	
34	34		4901387-00		FERRO FLUID	A/R	
35	35		1218892-03		SHIM,BRASS/SS 0.010THK	A/R	
36	36		4901564-01		LUBRICATING COMPOUND ANTI-SIEZE	A/R	
37	37		4901147-00		LUBRICANT, MOLYBDENUM DISULFIDE,	A/R	
38	38	C-MD-7427118-0-0	7427118-01		CAP,SPINDLE PROTECTION	1	

D	I	G	I	T	A	L	TITLE	SECTION A OF A	SIZE	CODE	DOCUMENT NUMBER	REV
							SPINDLE ASSY		K	PL	7017740-0-DBP	D



THE DRAWING AND SPECIFICATIONS HEREIN ARE THE PROPERTY OF DIGITAL EQUIPMENT CORPORATION AND SHALL NOT BE REPRODUCED, IN WHOLE OR IN PART, OR FOR ANY PURPOSE, WITHOUT WRITTEN PERMISSION OF DIGITAL EQUIPMENT CORPORATION.



SECTION A-A  
SCALE: 1/1

PART NO	VARIATION	PART REV
7018452-01	POSITIONER ASSY	D2

LEGEND

NOTES:

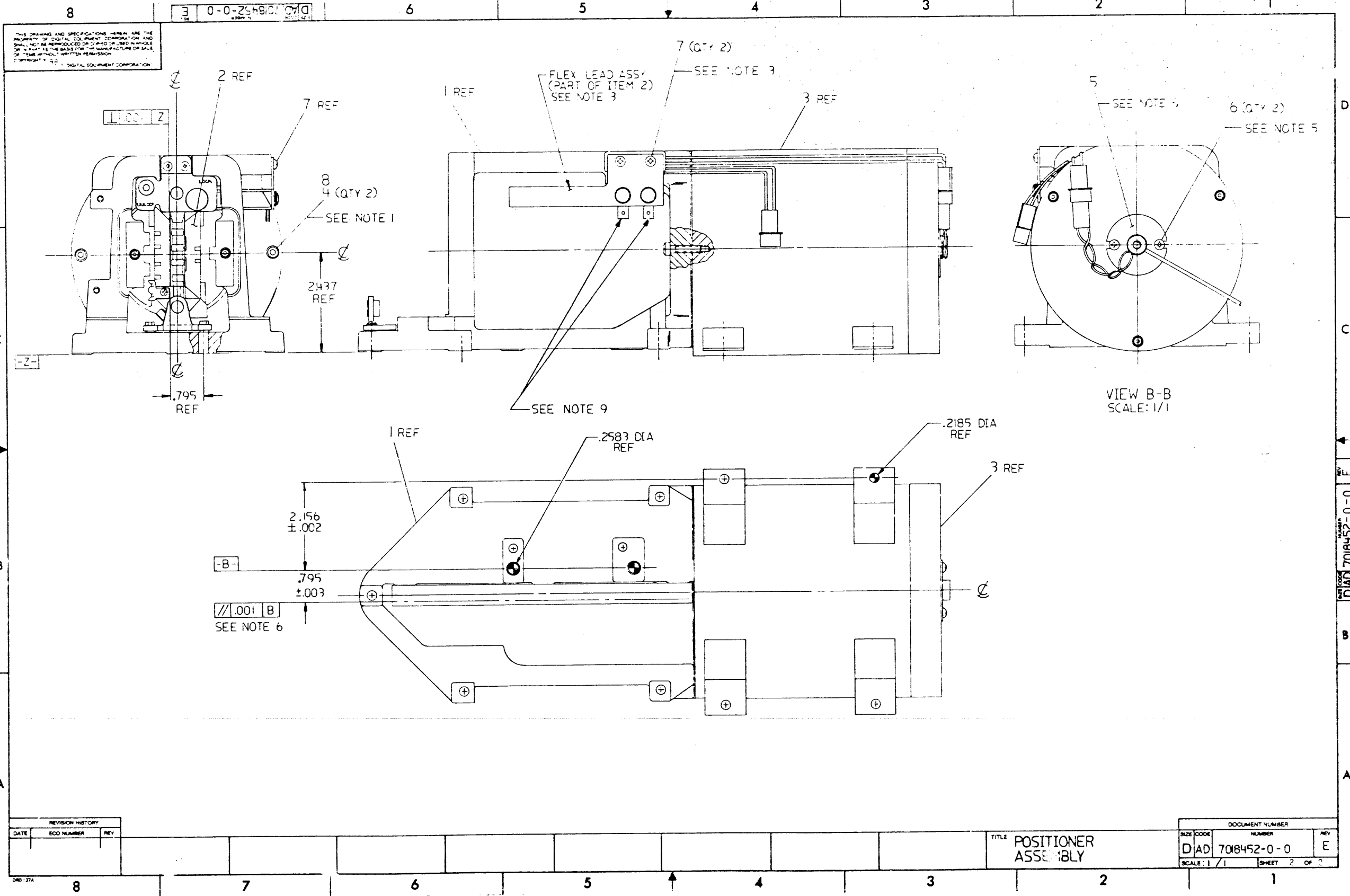
- FASTENERS (ITEM 4) MUST BE TIGHTENED TO  $24.0 \pm 2.0$  IN-LBS. APPLY GLYPTAL (ITEM 8) AS REQUIRED.
- DATUM  $-Z-$  IS DEFINED AS SEVEN MOUNTING PAD SURFACES OF CAGE ASSY (ITEM 1).
- ATTACH FLEX LEAD MOUNTING BRACKET (PART OF CARRIAGE ASSEMBLY, ITEM 2) TO CAGE ASSY (ITEM 1). ADJUST SO AS HORIZONTAL POSITION OF FLEX-LEAD IS PARALLEL TO DATUM  $-Z-$  DURING EXTENSION AND RETRACTION OF CARRIAGE ASSY. TIGHTEN FASTENERS (ITEM 7) TO  $7.0 \pm 1.0$  IN-LBS.
- EXTEND CARRIAGE ASSY (ITEM 2) FORWARD TO CONTACT UPPER CRASH STOP PAD (DATUM  $-A-$ ). WHILE MAINTAINING CONTACT WITH LIGHT PRESSURE, ADJUST LOWER CRASH STOP ASSY TO PROVIDE CONTACT WITH FRONT SURFACE OF CARRIAGE. PROPER ADJUSTMENT IMPLIES SIMULTANEOUS CONTACT OF BOTH UPPER AND LOWER CRASH STOPS. TIGHTEN FASTENERS TO  $4.5 \pm 5$  IN-LBS. APPLY GLYPTAL (ITEM 8) AS REQUIRED.
- PLACE CARRIAGE ASSY (ITEM 2) IN SHIPPING LOCK POSITION, INSTALL LOCK PIN (ITEM 9). INSERT VELOCITY COIL ASSY (ITEM 5) WITH CABLE LEADS ORIENTATED AS SHOWN, TIGHTEN FASTENERS (ITEM 6) TO  $7.0 \pm 1.0$  IN-LBS.
- CARRIAGE RUNOUTS TO BE MEASURED AT INDICATED POINT ON CARRIAGE, AND TOLERANCES ARE APPLICABLE OVER ENTIRE LENGTH OF STROKE (3.60).
- LINEAR MOTOR FORCE CONSTANT KF (NOMINAL) @ 1.0 AMP;  $1.9 \text{ LBS/AMP} \pm 10\%$  @  $20^\circ\text{C}$  (WITHIN SPECIFIED RANGE).
- CARRIAGE FRICTION SHALL BE  $.12 \text{ LBS (MAX)}$  IN EITHER FORWARD OR REVERSE DIRECTION @  $20^\circ\text{C}$  (WITHIN SPECIFIED RANGE).
- RESISTANCE SHALL BE  $2.5 \text{ OHMS} \pm 10\%$  AT  $20^\circ\text{C}$ .
- INSTALL HOME SWITCH ASSY (ITEM 10), ADJUST SWITCH CONTACT TO BREAK CURRENT WHEN CARRIAGE IS WITHIN  $.06 \pm .03$  OF CONTACT WITH REAR CRASH STOP, AND TIGHTEN FASTENERS (ITEM 11) TO  $4.5 \pm .5$  IN LBS, APPLY GLYPTOL (ITEM 8) AS REQUIRED.
- DEC PART NO. (7018452-01), LATEST REV, AND SERIAL NUMBER TO BE PRINTED ON LABEL (ITEM 12).

TOP DOC: D-AD-7018452-0-0  
CAUTION: OFF SHEET PARTS LIST EXISTS.  
SEE K-PL-7018452-0-DBP. (21767)

REV	DATE	BY	CHKD	DESCRIPTION
A				RELEASE TO ELD CONTROL PER P100 PIN-B16
B	2078	AP TOMAROS		TRAGJ-CX6094
C	2086	K CORNWELL		RA60-CX119C
D	2315	R. WOLSKI		7018452-CX001
E	2224	A. MCGINN		7018452-CX002

DESCRIPTION		DRAWING NO	PART NO	REV
UNLESS OTHERWISE SPECIFIED DIMENSIONS ARE IN INCHES AND THE FOLLOWING TOLERANCES APPLY (PER DEC STD 114)				
INCHES TOLERANCES	ANGLES ± D° 30'	APPLICABLE DIMENSION RANGE	DIMENSION RANGE IN INCHES	
			OVER 0.2 TO 1.2	OVER 1.2 TO 4.0
SURFACE QUALITY	✓	MICROINCHES	OVER 0.2 TO 1.2	OVER 1.2 TO 4.0
			± .004	± .012
QUANTITY & VARIATION	THIRD ANGLE PROJECTION	DATE	TITLE	
		20 Feb 81	POSITIONER ASSEMBLY	
DO NOT SCALE DRAWING	REMOVE BURRS AND BREAK SHARP CORNERS	DATE	DOCUMENT NUMBER	
		7 Jun 82	D AD 7018452-0-0	
MATERIAL	SEE PARTS LIST	DATE	REV	
		11/1/82	E	
FINISH		DATE	REV	
		7/21/82	E	

DAD 7018452-0-0



DAD 7018452-0-0

2 of 2

AUTOMATED BY PRTLST.39(44)

PARTS LIST

SHEET 01 OF 01

LINE	ITEM	TOP DOCUMENT	PART NUMBER	MIN REV	DESCRIPTION	VARIATION REVISION LEVEL:	QTY PER VARIATION
1	1		7018453-01		CAGE ASSEMBLY		1
2	2	D-AD-7018336-0-0	7018336-01		CARRIAGE ASSEMBLY		1
3	3	D-IA-7017736-0-0	7017736-02		MAGNET HOUSING ASSEMBLY		1
4	4		9006349-08		SCREW,CAP SOC HEX	10-	2
5	5		1218260-01		VELOCITY TRANSDUCER COIL ASSY		1
6	6		9006020-01		SCREW,MACH PAN PHIL	6-	2
7	7		9006021-01		SCREW,MACH PAN PHIL	6-	2
8	8		9009536-00		GLYPTOL, RED	A/R	
9	9	K-MD-7428337-0-DBU	7428337-01	A	RETAINER,CARRIAGE		1
10	10	D-AD-7018332-0-0	7018332-01		HOME SWITCH ASSEMBLY		1
11	11		9008032-01		SCREW,MACH PAN PHIL	4-	2
12	12		9008473-04	A	LABEL,PLAIN,WHITE .90 X 1.5L		1

REVISION HISTORY			BASIC PART NO: 7018452		DRN:	B. NICHOLS	DATE:	27-FEB-81	D I G I T A L			
ENG	ECO NUMBER	REV	SECTION A OF A	SECTION VARIATION INDEX	CHK'D:	D. MILLER	DATE:	02-JUN-82	TITLE PARTS LIST POSITIONER ASSEMBLY			
RW	INITIAL RELEASE	A			DES.ENG:	R. WOLSKI	DATE:	02-JUN-82	DOCUMENT NUMBER			
KC	RA60-CX004	B	[A]01		RESP.ENG.:	B. MILLER	DATE:	02-JUN-82	SIZE: K	CODE: PL	NUMBER: 7018452-0-DBP	REV: E
RW	RA60-CX14C	C	[B]		MFG.ENG.:	K. WOOLF	DATE:	02-JUN-82	RELEASE DATE: 25-JUN-85			
AM	7018452-CX001	D	[C]		ASSEMBLY NUMBER:		TOP DOCUMENT NUMBER:		FILE NAME:	EDIT #		
DC	7018452-CX002	E	[D]		D-AD-7018452-0-0		D-AD-7018452-0-0		Z1767E.PLS	16		
			[E]									
			[F]									

*Handwritten:*  
RPM  
25-85  
R  
273-85

"THIS DRAWING AND THE SPECIFICATIONS CONTAINED HEREIN ARE CONFIDENTIAL AND PROPRIETARY. THEY ARE THE PROPERTY OF DIGITAL EQUIPMENT CORPORATION AND SHALL NOT BE REPRODUCED OR COPIED OR USED IN WHOLE OR IN PART AS THE BASIS FOR THE MANUFACTURE OR SALE OF ITEMS WITHOUT WRITTEN PERMISSION. THIS IS AN UNPUBLISHED WORK PROTECTED UNDER THE FEDERAL COPYRIGHT LAWS."

THIS DRAWING AND SPECIFICATIONS HEREIN ARE THE PROPERTY OF DIGITAL EQUIPMENT CORPORATION AND SHALL NOT BE REPRODUCED OR COPIED OR USED IN WHOLE OR IN PART AS THE BASIS FOR THE MANUFACTURE OR SALE OF ANY ITEM WITHOUT WRITTEN PERMISSION OF DIGITAL EQUIPMENT CORPORATION.

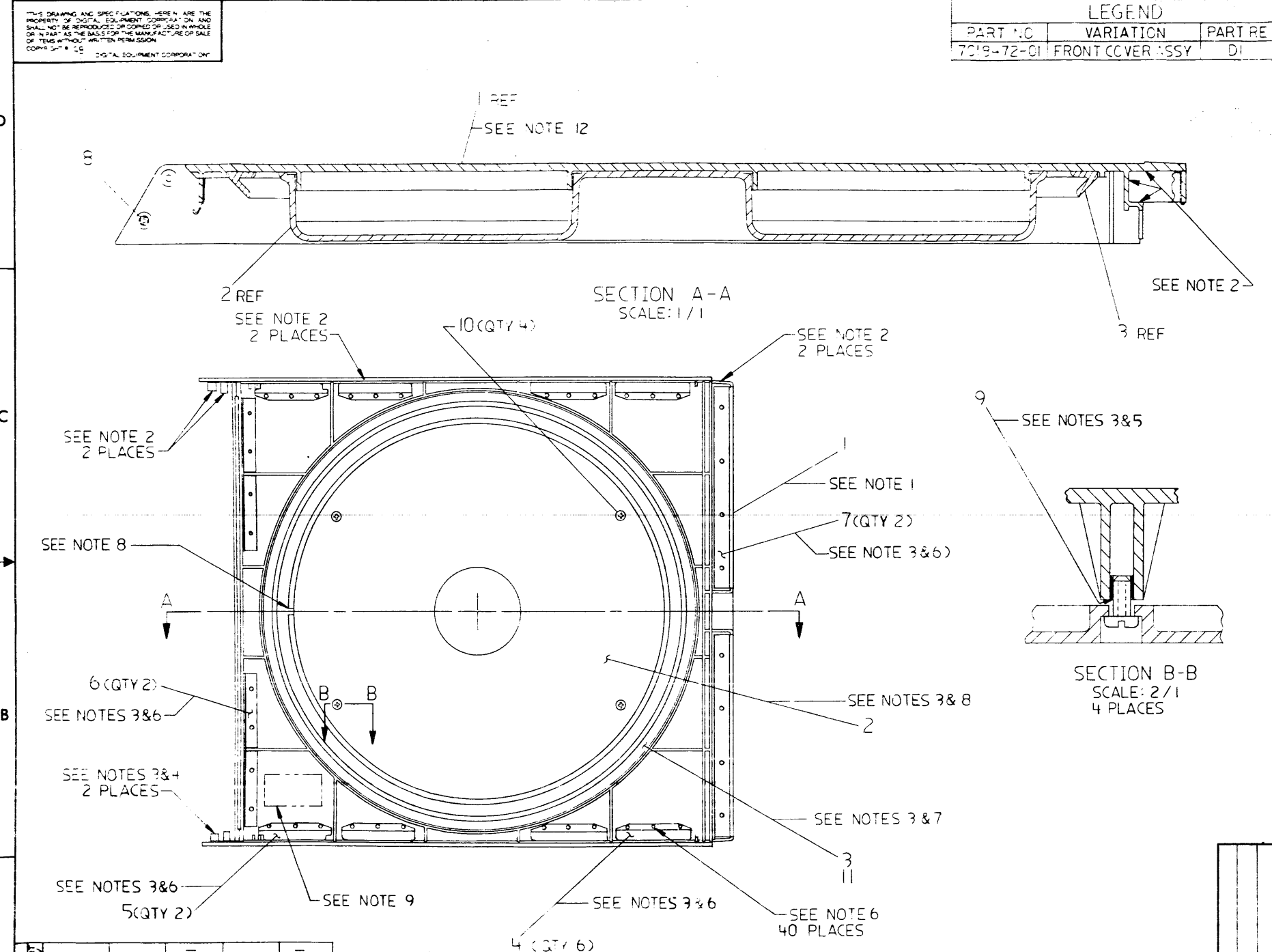
PART NO	VARIATION	PART RE.
7018-72-01	FRONT COVER ASSY	DI

LEGEND

- NOTES:
- ALL INSIDE SURFACES OR FRONT COVER (ITEM 1) (WALLS, RIBS, ETC) TO BE ION PLATED WITH 410 S.S./CU/410 S.S. (ENDUREX PROCESS OR EQUIVALENT). COATING TO BE 4KA°-8KA° THICK PER LAYER. RESISTIVITY TO BE LESS THAN .5 OHMS PER SQUARE BETWEEN RIBS, 1 OHM PER SQUARE, AND 2 OHMS POINT TO POINT. COATING ADHESION MUST MEET PHYSICAL TEST REQUIREMENTS IN DEC STD 092 (ADHESION - TAPE TEST METHOD). NO LOOSE OR FLAKING PARTICLES PERMISSIBLE. AFTER CONDUCTIVE COATING, MASK AROUND THE .093 DIA STAKES (40 PLACES) AS SHOWN IN DETAILS C, D, E AND FOUR .325 DIA BOSSES. TOLERANCE ON MASK DIMENSIONS ±.040". PAINT INSIDE SURFACE OF COVER PER DEC STANDARD 092-A113-068 WITH POLANE 'T' PAINT. FILM THICKNESS .001-.004 FINISHED COATING (METAL PLATING AND PAINT) MUST PASS THE PHYSICAL TEST REQUIREMENTS OF DEC STD 092 (ADHESION - CROSS HATCH TEST METHOD).
  - SURFACES NOTED TO BE MASKED, NO OVERSPRAY FROM PROCESS INDICATED IN NOTE 1. (CONDUCTIVE COATING) IS PERMISSIBLE.
  - FRONT COVER INSERTS (ITEMS 8 & 9), GROUNDING STRAPS (ITEMS 4 THRU 7), GASKET (ITEM 3), AND CAP (ITEM 2) TO BE ADDED AFTER COATING.
  - AFTER COATING, ULTRASONICALLY INSTALL INSERTS, (ITEM 8), A DISTANCE FLUSH TO .015 ABOVE TOP OF BOSS. MINIMUM PULL OUT STRENGTH TO BE 320 LBS. MINIMUM TORQUE OUT STRENGTH TO BE 30 IN-LBS.
  - AFTER COATING, ULTRASONICALLY INSTALL INSERTS (ITEM 9), A DISTANCE FLUSH TO .015 ABOVE TOP OF BOSS. MINIMUM PULL OUT STRENGTH TO BE 540 LBS. MINIMUM TORQUE OUT STRENGTH TO BE 40 IN-LBS.
- (NOTES CONTINUED ON SHEET 2)

CAUTION: OFF SHEET PARTS LIST EXIST:  
SEE K-PL-7018472-0-DBP (Z2209).

TOP DOC: B-DD-RA60-0-0



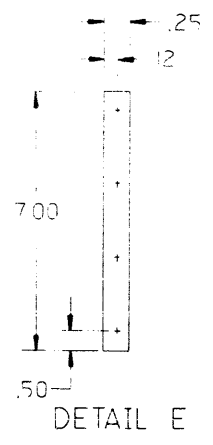
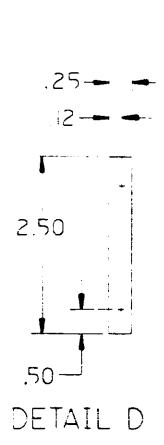
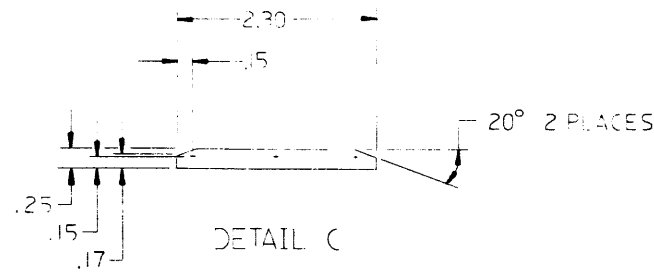
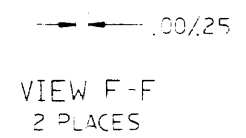
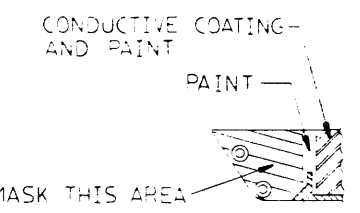
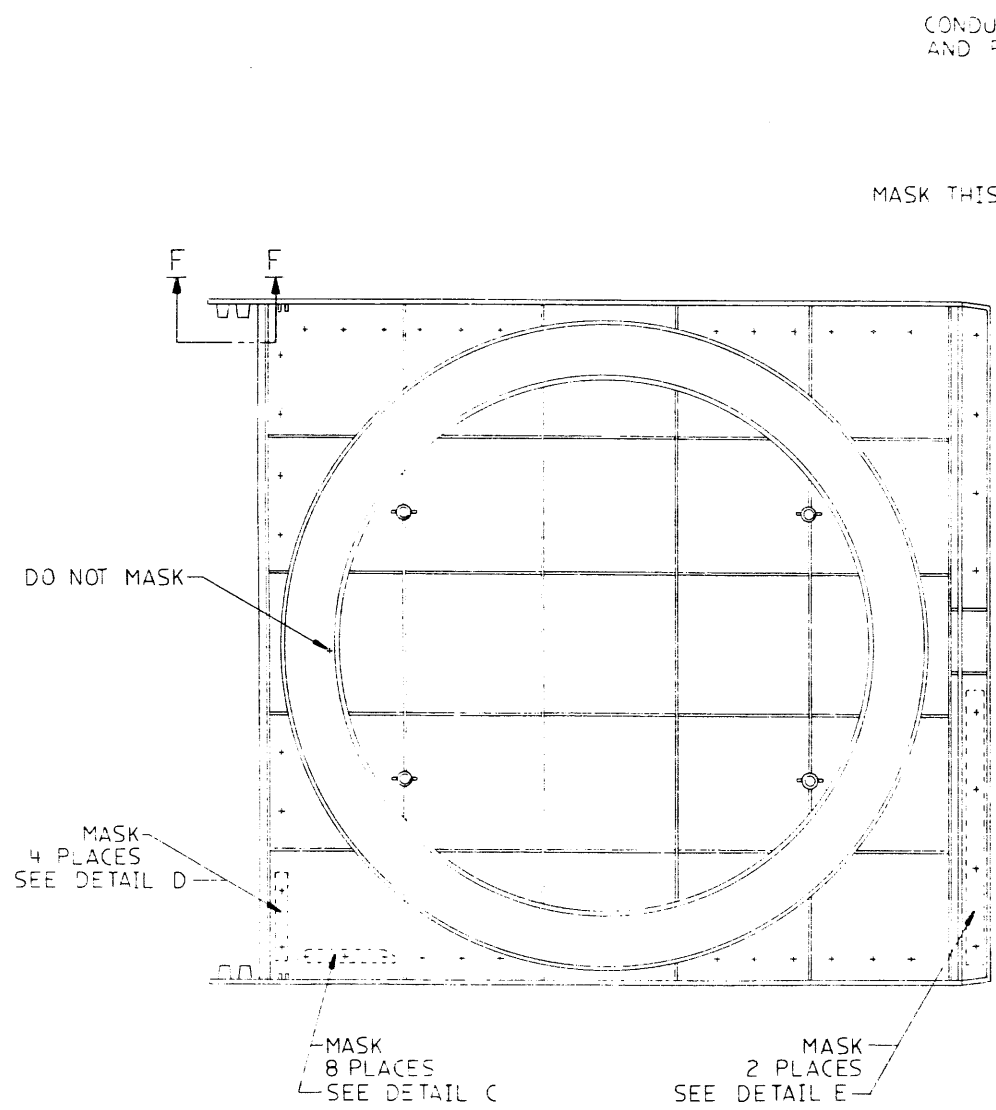
DATE	REVISION HISTORY	ECO NUMBER	REV	REV
	RELEASE TO ECO CONTROL PLH P.L.A. PIN 922 R.B.	A		
2034	7018472-CX001 R. MILES 15 NOV, 82	B		
2150	7018472-CX002 R. MILES 19 JUL, 82	C		
2230	7018472-CX003 M. KALTENBACH AP 9 FEB 84	D		
2269	7018472-CX004 D. CHAMBERLAIN 27 NOV 84	E		

DESCRIPTION	DRAWING NO	PART NO	ITEM NO		
UNLESS OTHERWISE SPECIFIED DIMENSIONS ARE IN INCHES AND THE FOLLOWING TOLERANCES APPLY (PER DEC STD 114)					
INCHES TOLERANCES	ANGLES ±0°30'	APPLICABLE DIMENSION RANGE			
		OVER	OVER	OVER	OVER
XX ± .02 XXX ± .005	SURFACE QUALITY	TO	TO	TO	TO
		0.2	1.2	4.0	12.0
QUANTITY & VARIATION	MICROINCHES	± .004	± .008	± .012	± .016
THIRD ANGLE PROJECTION	DATE 5/11/81	TITLE		digital	
DO NOT SCALE DRAWING	DATE 10/20/82	FRONT COVER ASSY			
REMOVE BURRS AND BREAK SHARP CORNERS	DATE 11/11/82	DOCUMENT NUMBER			
MATERIAL SEE PARTS LIST	DATE 7/13/82	DIA 7018472-0-0			
FINISH	DATE 10/20/82	SCALE 1/2 SHEET			
	NEXT HIGHER DOC E-UA-RA60-0-0				

THIS DRAWING AND THE SPECIFICATIONS CONTAINED HEREIN ARE CONFIDENTIAL AND PROPRIETARY. THEY ARE THE PROPERTY OF DIGITAL EQUIPMENT CORPORATION AND SHALL NOT BE REPRODUCED OR COPIED OR USED IN WHOLE OR IN PART AS THE BASIS FOR MANUFACTURE OR SALE OF ITEMS WITHOUT WRITTEN PERMISSION. THIS IS AN UNPUBLISHED WORK PROTECTED UNDER THE FEDERAL COPYRIGHT LAWS.

3 0-0-2L+810Z V1 d 2 1

D  
C  
B  
A



PAINT MASK DETAILS

6. AFTER COATING, HEAT OR ULTRASONICALLY STAKE GROUNDING STRAPS (ITEMS 4 THRU 7) TO FRONT COVER (ITEM 1). AFTER STAKING, PIN HEIGHT TO BE .250 MAX FROM TOP OF FRONT COVER.
7. FRONT COVER GASKET (ITEM 3) TO BE BONDED USING RUBBER ADHESIVE (ITEM 11) WITH ITS OUTSIDE EDGE PRESSED FLUSH AGAINST CIRCULAR RIB AS SHOWN.
8. FRONT COVER CAP (ITEM 2) TO BE POSITIONED RELATIVE TO THE FRONT COVER (ITEM 1) AS SHOWN. THEN ATTACHED WITH HARDWARE (ITEM 10) TORQUED TO 9-11 IN-LBS.
9. DEC PART NO. (7018472-01) AND LATEST PART REVISION TO BE INDELIBLY MARKED IN AREA INDICATED.
10. PARTS, AFTER COATING AND ASSEMBLY, TO BE CLEANED AND ADEQUATELY PACKAGED TO PREVENT DAMAGE IN SHIPPING AND HANDLING PER VENDOR SPECIFICATIONS.
11. EXCEPT AS NOTED, ASSEMBLY COMPONENT DIMENSIONS WILL REMAIN UNCHANGED AFTER COMPLETION OF ASSEMBLY PROCEDURES.
12. AFTER CONDUCTIVE COATING THE OUTSIDE, TEXTURED SURFACE MAY BE COVERED WITH A THIN "FOG" COATING OF PAINT, PER DEC STD 092-A102-068 WITH POLANE 'T', IN ORDER TO HIDE MINOR BLEMISHES DUE TO MATERIAL CONTAMINATION. COATING ADHESION MUST MEET THE PHYSICAL TEST REQUIREMENTS OF DEC STD 092 (ADHESION-TAPE TEST METHOD). THERE MUST BE NO COLOR DIFFERENCE BETWEEN A PAINTED AND UNPAINTED PART.

DIA 7018472-0-0

REVISIONS		
CHK	CHANGE NO	REV

TITLE	FRONT COVER ASSY	SHEET NO	2	OF	2	DATE		SCALE		DESIGNER		CHECKER		NUMBER	DIA 7018472-0-0	REV	E
-------	------------------	----------	---	----	---	------	--	-------	--	----------	--	---------	--	--------	-----------------	-----	---

8 7 6 5 4 3 2 1

AUTOMATED BY PRTLST.4Q(47)

PARTS LIST

SHEET A1 OF A1

LINE	ITEM	TOP DOCUMENT	PART NUMBER	MIN REV	DESCRIPTION	VARIATION REVISION LEVEL:	QTY PER VARIATION
1	1	D-MD-7425335-0-0	7425335-01		COVER,FRONT		1
2	2	D-MD-7425460-0-0	7425460-01		CAP,FRONT COVER		1
3	3	C-MD-7425430-0-0	7425430-01		GASKET,FRONT COVER		1
4	4	C-MD-7425461-0-0	7425461-02		STRAP,GROUND,FRONT SIDE		6
5	5	C-MD-7425461-0-0	7425461-01		GROUND STRAP, REAR SIDE		2
6	6	C-MD-7427331-0-0	7427331-01		STRAP,REAR GROUND		2
7	7	C-MD-7427332-0-0	7427332-01		STRAP, FRONT GROUND		2
8	8		9009940-00		INSERT,THREAD		2
9	9		9009940-01		INSERT,THREAD		4
10	10		9006037-01		SCREW,MACH PAN PHIL	8-	4
11	11		4901181-00		ADHESIVE,RUBBER		A/R

REVISION HISTORY			BASIC PART NO: 7018472		DRN:	R. BARNUM	DATE:	21-SEP-82	D I G I T A L			
ENG	ECO NUMBER	REV	SECTION A OF A		CHK'D:	D. MILLER	DATE:	21-SEP-82	TITLE PARTS LIST			
RM	INITIAL REL	A	SECTION.VARIATION INDEX		DES.ENG:	B. MILES	DATE:	21-SEP-82	DOCUMENT NUMBER			
RM	7018472-CX001	B	[A]01		RESP.ENG.:	B. MILLER	DATE:	21-SEP-82	SIZE	CODE	NUMBER	REV
RM	7018472-CX002	C	[B]		MFG.ENG.:	D. ALEXANDER	DATE:	21-SEP-82	K	PL	7018472-0-DBP	E
MK	7018472-CX003	D	[C]		ASSEMBLY NUMBER:	D-IA-7018472-0-0	TOP DOCUMENT NUMBER:	B-DD-RA60-0-0	FILE NAME:		Z2209E.PLS	EDIT #
DC	7018472-CX04A	E	[D]				RELEASE DATE:	07-DEC-84				
			[E]									
			[F]									

*Handwritten:*  
7 DEC 84  
14  
12-7-84

"THIS DRAWING AND THE SPECIFICATIONS CONTAINED HEREIN ARE CONFIDENTIAL AND PROPRIETARY. THEY ARE THE PROPERTY OF DIGITAL EQUIPMENT CORPORATION AND SHALL NOT BE REPRODUCED OR COPIED OR USED IN WHOLE OR IN PART AS THE BASIS FOR THE MANUFACTURE OR SALE OF ITEMS WITHOUT WRITTEN PERMISSION. THIS IS AN UNPUBLISHED WORK PROTECTED UNDER THE FEDERAL COPYRIGHT LAWS."

8

0-0-474810Z (REV) 7018474-0-0

6

5

4

3

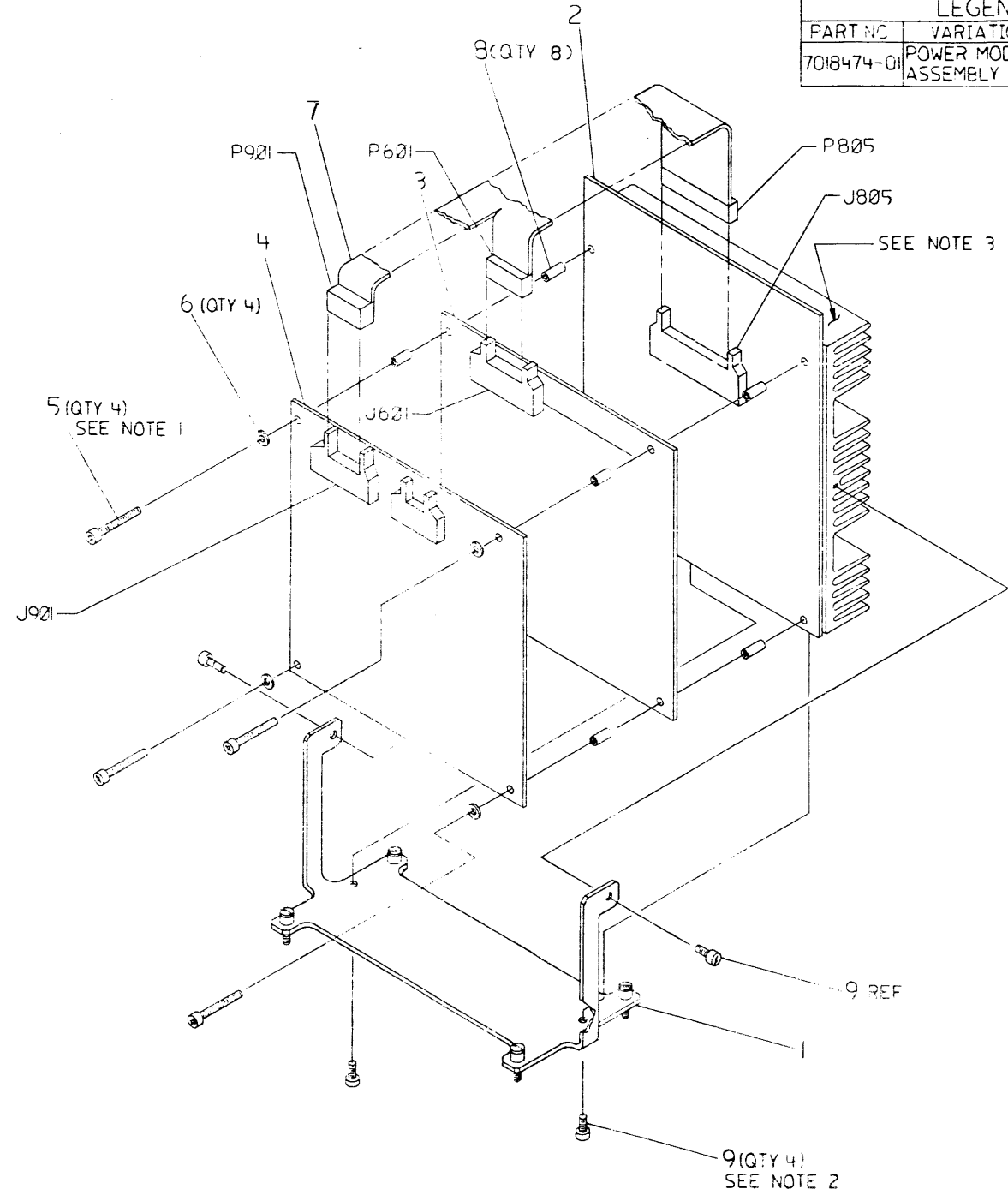
2

1

THIS DRAWING AND SPECIFICATIONS HEREIN ARE THE PROPERTY OF DIGITAL EQUIPMENT CORPORATION AND SHALL NOT BE REPRODUCED OR COPIED OR USED IN WHOLE OR IN PART AS THE BASIS FOR THE MANUFACTURE OR SALE OF ITEMS WITHOUT WRITTEN PERMISSION. COPYRIGHT © 1981 DIGITAL EQUIPMENT CORPORATION

PART NO	VARIATION	PART REV
7018474-01	POWER MODULE ASSEMBLY	A2

- NOTES:
1. TORQUE SCREWS (ITEM 5) TO 7±1 IN-LBS.
  2. TORQUE SCREWS (ITEM 9) TO 13±1 IN-LBS.
  3. DEC PART NO. (7018474-01), AND LATEST REVISION TO BE INDELIBLY MARKED ON SURFACE INDICATED. CHARACTERS TO BE .25 HIGH MAX.
  4. ASSEMBLY TO BE ADEQUATELY PACKAGED TO PREVENT DAMAGE IN SHIPPING AND HANDLING PER VENDOR SPECIFICATION.
  5. REV B DRAWING DOES NOT EXIST AND WILL NEVER BE FILMED. REV B IS BEING SKIPPED IN ORDER TO MAINTAIN REV AGREEMENT WITH K-PL-7018474-0-DBP.



DATE	ECO NUMBER	ECO CONTROL	PER ECA III	REV
	7018474-CX002	REL NOTE 5		A
	7018474-CX002	CB 24 AUG 84	D. CHAMBERLAIN	B
				C

TOP DOC: E-DB-R450-0-0  
 CAUTION: OFF SHEET PARTS LIST EXISTS.  
 SEE K-PL-7018474-0-DBP (Z2212)

DESCRIPTION	DRAWING NO	PART NO	ITEM NO.		
UNLESS OTHERWISE SPECIFIED DIMENSIONS ARE IN INCHES AND THE FOLLOWING TOLERANCES APPLY (PER DEC STD 114)					
INCHES TOLERANCES	ANGLES ±0°30'	APPLICABLE DIMENSION RANGE			
		TO	OVER	OVER	OVER
XX = ± .02	SURFACE QUALITY	0.2	0.2	1.2	4.0
XXX = ± .005		1.2	4.0	12.0	40.0
QUANTITY & VARIATION	✓	± .004	± .008	± .012	± .018
THIRD ANGLE PROJECTION	DATE 7/24/81	TITLE		digital	
DO NOT SCALE DRAWING	DATE 26 JUL 82	POWER MODULE ASSEMBLY			
REMOVE BURRS AND BREAK SHARP CORNERS	DATE 8/4/82	DOCUMENT NUMBER			
MATERIAL	DATE 8/32	LAD 7018474-0-0			
SEE PARTS LIST	SCALE 1/2"	SHEET 1 OF 1			

8

7

6

5

4

3

2

1

D  
C  
B  
A

D  
C  
B  
A

REV C  
NUMBER  
LAD 7018474-0-0

LINE	ITEM	TOP DOCUMENT	PART NUMBER	MIN REV	DESCRIPTION	QTY	PER VARIATION
1	1	D-IA-7425454-0-0	7425454-01		CHASSIS,POWER MODULE	1	01
2	2	D-UA-5415280-0-0	5415280-01		HEAT SINK/POWER BOARD	1	A2
3	3	D-UA-5415276-0-0	5415276-01		REGULATOR BOARD	1	
4	4	D-UA-5415282-0-0	5415282-01		MOTOR CONTROL	1	
5	5		9006031-01		*** THIS ITEM IS NOT USED ***	-	
6	6		9007849-01		SCREW,MACH PAN PHIL 6-	4	
7	7	D-IA-7019048-0-0	7019048-01		POWER MODULE INTERCONNECT CABLE	1	
8	8		9006971-00		SPACER,CLEAR HOLE RND PHEN 6	8	
9	9		9010174-01		SCREW,SEMS PAN PHIL 8-	4	

REVISION HISTORY			BASIC PART NO: 7018474			D I G I T A L		
ENG	ECO NUMBER	REV	SECTION A OF A	DRN:	D. COFFEY	DATE:	19-MAY-81	
MM	INITIAL RELEASE	A	SECTION VARIATION INDEX	CHK'D:	D. MILLER	DATE:	26-JUL-82	TITLE PARTS LIST
BM	7018474-CX001	B	[A]01					POWER MODULE ASSEMBLY
DC	7018474-CX002	C	[B]	DES.ENG:	M. MASTACHE	DATE:	26-JUL-82	DOCUMENT NUMBER
			[C]					SIZE!CODE! NUMBER ! REV
			[D]	RESP.ENG.:	B. MILLER	DATE:	26-JUL-82	K ! PL ! 7018474-0-DBP ! C
			[E]	MFG.ENG.:	K. WOOLF	DATE:	26-JUL-82	RELEASE DATE: 24-AUG-84
			[F]	ASSEMBLY NUMBER:		TOP DOCUMENT NUMBER:		FILE NAME: ! EDIT #!
				D-AD-7018474-0-0		#B-DD-RA60-0		Z2212C.PLS ! 18 !

RPM  
24 Aug  
8-27-84

"THIS DRAWING AND THE SPECIFICATIONS CONTAINED HEREIN ARE CONFIDENTIAL AND PROPRIETARY. THEY ARE THE PROPERTY OF DIGITAL EQUIPMENT CORPORATION AND SHALL NOT BE REPRODUCED OR COPIED OR USED IN WHOLE OR IN PART AS THE BASIS FOR THE MANUFACTURE OR SALE OF ITEMS WITHOUT WRITTEN PERMISSION. THIS IS AN UNPUBLISHED WORK PROTECTED UNDER THE FEDERAL COPYRIGHT LAWS."





AUTOMATED BY PRTLST.4G(47)

PARTS LIST

SHEET A1 OF A1

LINE ITEM	DOCUMENT NUMBER	PART NUMBER	DESCRIPTION	QUANTITY PER VARIATION
1	D-UA-5415274-0-0	5415274-01	RA60 CAP/RECTIFIER	1
2	D-IA-7425440-0-0	7425440-01	CHASSIS,CAPACITOR	1
3	C-IA-7425441-0-0	7425441-01	STRAP,CHASSIS	1
4		9010174-00	SCREW,SEMS PAN PHIL	6-7
5	A-SP-9009255-0-0	9009255-00	LABEL, POWER SUPPLY, 2-15/16 L	1

REVISION HISTORY			BASIC PART NO1 7018476			D I G I T A L			
ENG1	ECO NUMBER	REV	SECTION A OF A	DRN:	L. DILGER	DATE:	26-MAY-81	TITLE	PARTS LIST
RT	INITIAL REL	A	SECTION, VARIATION INDEX	CHK'D:	D. MILLER	DATE:	26-JUL-81	CAP/RECT ASSY	
MM	7018476-CX001	B	[A] 01	DES.ENG.:	M. MASTACHE	DATE:	26-JUL-81	DOCUMENT NUMBER	
			[B]	RESP.ENG.:	B. MILLER	DATE:	26-JUL-81	SIZE:	CODE:
			[C]	INFO.ENG.:	K. WOOLF	DATE:	26-JUL-81	K	PL
			[D]	ASSEMBLY NUMBER:		TOP DOCUMENT NUMBER:		FILE NAME:	EDIT #
			[E]	D-AD-7018476-0-0		10B-DD-RA60-0		222133.PLS	6
			[F]						

\*THIS DRAWING AND SPECIFICATIONS HEREIN, ARE THE PROPERTY OF DIGITAL EQUIPMENT CORPORATION AND SHALL NOT BE REPRODUCED OR COPIED OR USED IN WHOLE OR IN PART AS THE BASIS FOR THE MANUFACTURE OR SALE OF ITEMS WITHOUT WRITTEN PERMISSION. COPYRIGHT (C) 1983. DIGITAL EQUIPMENT CORPORATION \*

THE DIMENSIONS AND SPECIFICATIONS HEREIN ARE THE PROPERTY OF DIGITAL EQUIPMENT CORPORATION AND SHALL NOT BE REPRODUCED OR COPIED OR USED IN WHOLE OR IN PART AS THE BASIS FOR THE MANUFACTURE OR SALE OF ITEMS WITHOUT WRITTEN PERMISSION OF PLYMOUTH 1988 DIGITAL EQUIPMENT CORPORATION

LEGEND		
PART NO.	VARIATION	PART REV
7018477-01	TRANSFORMER ASSY	D2

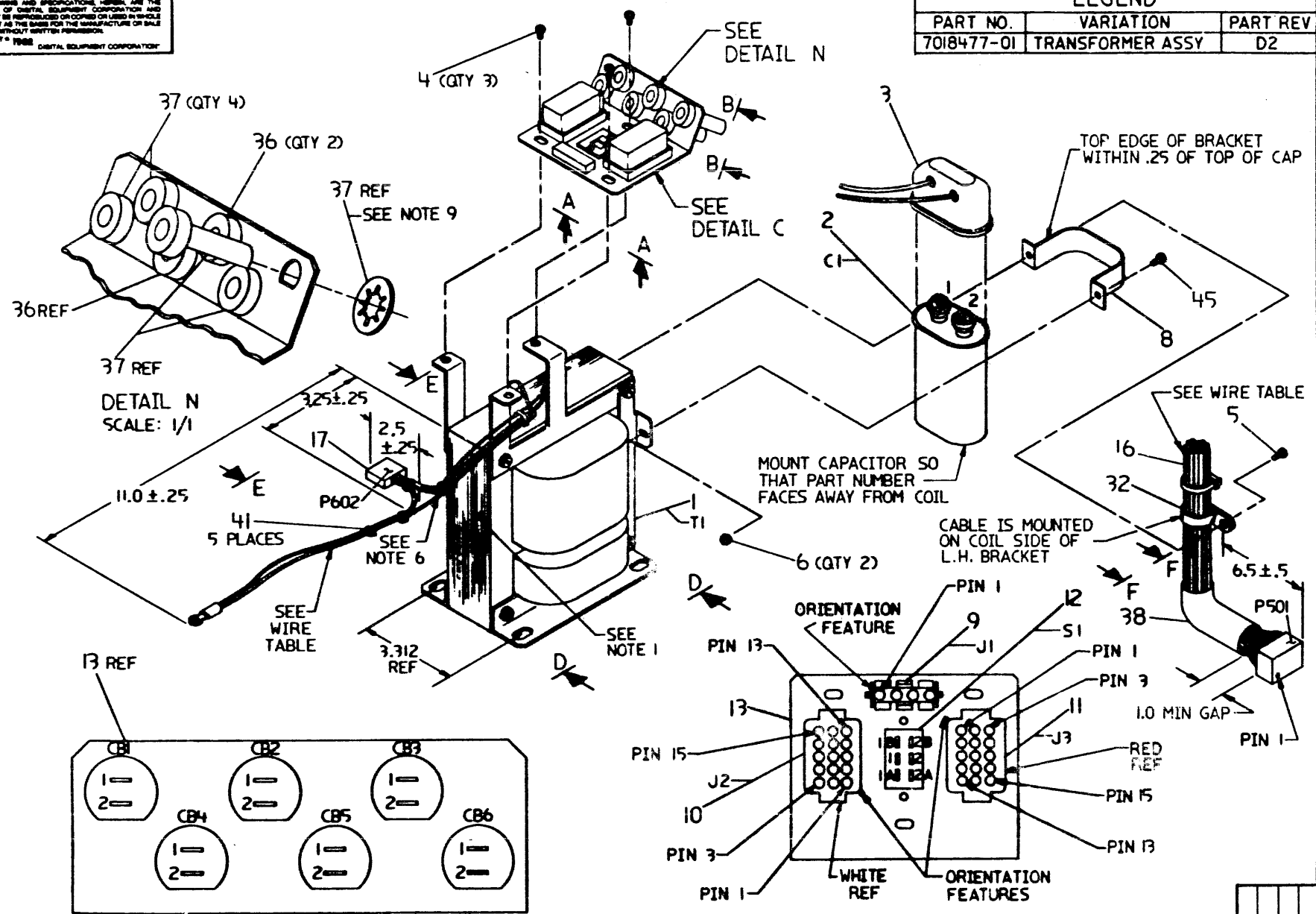
NOTES.

- DEC PART NO. (7018477-01), LATEST REV., AND VENDOR I.D. TO BE INDELIBLY MARKED ON SURFACE INDICATED. CHARACTERS TO BE .25 HIGH MAX.
- THIS TRANSFORMER ASSY IS TO BE CONFIGURED FOR 120V/60HZ. THIS IS ACHIEVED BY SETTING THE VOLTAGE SELECTION SWITCH TO READ "120V", PLUGGING THE WHITE CONNECTOR PLUG (ITEM 14) INTO THE MATING WHITE CONNECTOR HOUSING (ITEM 10), AND PLUGGING THE RED CONNECTOR PLUG (ITEM 5) INTO THE MATING RED CONNECTOR HOUSING (ITEM 11). FOR THIS CONFIGURATION AND OTHER CONFIGURATIONS REFER TO THE FOLLOWING CHART:

FOR THE FOLLOWING CONFIGURATION	SET VOLTAGE SELECTION SWITCH TO READ	WHITE CONN PLUG (ITEM 14) TO MATE WITH	RED CONN PLUG (ITEM 5) TO MATE WITH
120V/60HZ	120V	WHITE CONN HOUSING (ITEM 10)	RED CONN HOUSING (ITEM 11)
240V/60HZ	240V	WHITE CONN HOUSING (ITEM 10)	RED CONN HOUSING (ITEM 11)
120V/50HZ	120V	RED CONN HOUSING (ITEM 11)	WHITE CONN HOUSING (ITEM 10)
240V/50HZ	240V	RED CONN HOUSING (ITEM 11)	WHITE CONN HOUSING (ITEM 10)

- MAXIMUM TRANSFORMER ASSY HEIGHT INCLUDING WHITE AND RED WIRES THAT ATTACH TO CONNECTOR PLUGS (ITEMS 14 AND 15) TO BE 10.00 INCHES.
  - PARTS TO BE ADEQUATELY PACKAGED TO PREVENT DAMAGE DURING SHIPPING AND HANDLING PER VENDOR SPECIFICATION.
- NOTES CONTINUED ON SHEET 4

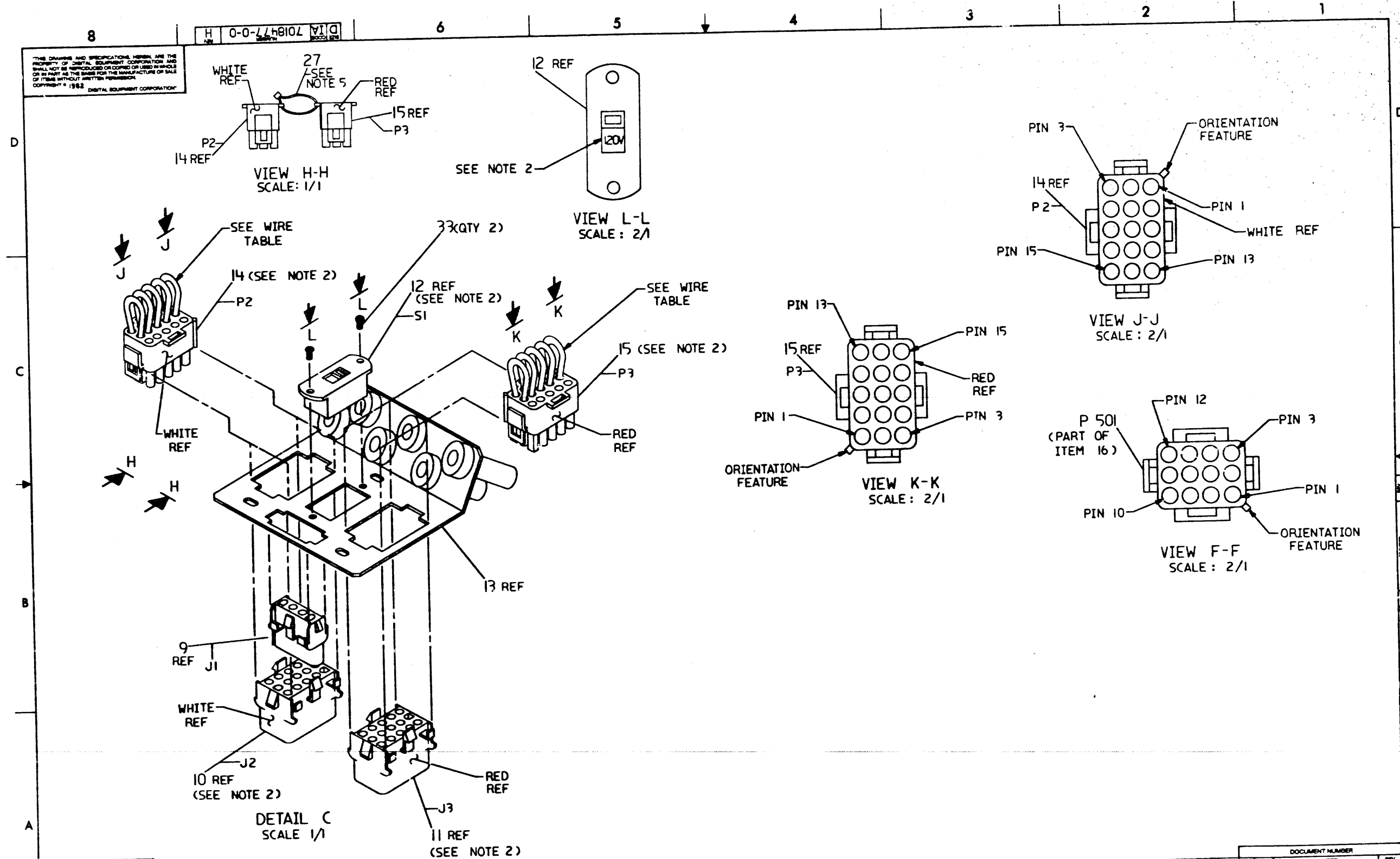
CAUTION: OFF SHEET PARTS LIST EXISTS.  
SEE K-PL-7018477-0-DBP(Z2218).  
TOP DOC: B-DD-RA60-0-0



REV	DATE	DESCRIPTION	BY	CHKD
A		RELEASE TO ECO CONTROL PER PCA PIN 889 APPROVED SAUGER R. THELLEN		
B		7018477-018818 OCT82 R. THELLEN		
C		7018477-018818 OCT82 R. THELLEN		
D		7018477-018818 OCT82 R. THELLEN		
E		7018477-018818 OCT82 R. THELLEN		
F		7018477-018818 OCT82 R. THELLEN		
H		7018477-018818 OCT82 R. THELLEN		

DESCRIPTION	DRAWING NO.	PART NO.	ITEM NO.
UNLESS OTHERWISE SPECIFIED DIMENSIONS ARE IN INCHES AND THE FOLLOWING TOLERANCES APPLY (PER DEC STD 114)			
INCHES TOLERANCES	ANGLES ± 0.25	APPLICABLE DIMENSION RANGE	
X ± .1		OVER 0.2 TO 0.3	OVER 0.3 TO 0.5
XX ± .02		OVER 0.5 TO 1.0	OVER 1.0 TO 1.5
XXX ± .005		OVER 1.5 TO 3.0	OVER 3.0 TO 6.0
		OVER 6.0 TO 12.0	OVER 12.0 TO 48.0
		OVER 48.0 TO 96.0	OVER 96.0 TO 192.0
		OVER 192.0 TO 384.0	OVER 384.0 TO 768.0
		OVER 768.0 TO 1536.0	OVER 1536.0 TO 3072.0
		OVER 3072.0 TO 6144.0	OVER 6144.0 TO 12288.0
		OVER 12288.0 TO 24576.0	OVER 24576.0 TO 49152.0
		OVER 49152.0 TO 98304.0	OVER 98304.0 TO 196608.0
		OVER 196608.0 TO 393216.0	OVER 393216.0 TO 786432.0
		OVER 786432.0 TO 1572864.0	OVER 1572864.0 TO 3145728.0
		OVER 3145728.0 TO 6291456.0	OVER 6291456.0 TO 12582912.0
		OVER 12582912.0 TO 25165824.0	OVER 25165824.0 TO 50331648.0
		OVER 50331648.0 TO 100663296.0	OVER 100663296.0 TO 201326592.0
		OVER 201326592.0 TO 402653184.0	OVER 402653184.0 TO 805306368.0
		OVER 805306368.0 TO 1610612736.0	OVER 1610612736.0 TO 3221225472.0
		OVER 3221225472.0 TO 6442450944.0	OVER 6442450944.0 TO 12884901888.0
		OVER 12884901888.0 TO 25769803776.0	OVER 25769803776.0 TO 51539607552.0
		OVER 51539607552.0 TO 103079215104.0	OVER 103079215104.0 TO 206158430208.0
		OVER 206158430208.0 TO 412316860416.0	OVER 412316860416.0 TO 824633720832.0
		OVER 824633720832.0 TO 1649267441664.0	OVER 1649267441664.0 TO 3298534883328.0
		OVER 3298534883328.0 TO 6597069766656.0	OVER 6597069766656.0 TO 13194139533312.0
		OVER 13194139533312.0 TO 26388279066624.0	OVER 26388279066624.0 TO 52776558133248.0
		OVER 52776558133248.0 TO 105553116266496.0	OVER 105553116266496.0 TO 211106232532992.0
		OVER 211106232532992.0 TO 422212465065984.0	OVER 422212465065984.0 TO 844424930131968.0
		OVER 844424930131968.0 TO 1688849860263936.0	OVER 1688849860263936.0 TO 3377699720527872.0
		OVER 3377699720527872.0 TO 6755399441055744.0	OVER 6755399441055744.0 TO 13510798882111488.0
		OVER 13510798882111488.0 TO 27021597762102976.0	OVER 27021597762102976.0 TO 54043195524205952.0
		OVER 54043195524205952.0 TO 108086391048411904.0	OVER 108086391048411904.0 TO 216172782096823808.0
		OVER 216172782096823808.0 TO 432345564193647616.0	OVER 432345564193647616.0 TO 864691128387295232.0
		OVER 864691128387295232.0 TO 1729382256774590464.0	OVER 1729382256774590464.0 TO 3458764513549180928.0
		OVER 3458764513549180928.0 TO 6917529027098361856.0	OVER 6917529027098361856.0 TO 13835058054196723712.0
		OVER 13835058054196723712.0 TO 27670116108393447424.0	OVER 27670116108393447424.0 TO 55340232216786894848.0
		OVER 55340232216786894848.0 TO 110680464433573789696.0	OVER 110680464433573789696.0 TO 221360928867147579392.0
		OVER 221360928867147579392.0 TO 442721857734295158784.0	OVER 442721857734295158784.0 TO 885443715468590317568.0
		OVER 885443715468590317568.0 TO 1770887430937180635136.0	OVER 1770887430937180635136.0 TO 3541774861874361270272.0
		OVER 3541774861874361270272.0 TO 7083549723748722540544.0	OVER 7083549723748722540544.0 TO 14167099447497445081088.0
		OVER 14167099447497445081088.0 TO 28334198894994890162176.0	OVER 28334198894994890162176.0 TO 56668397789989780324352.0
		OVER 56668397789989780324352.0 TO 113336795579979560648704.0	OVER 113336795579979560648704.0 TO 226673591159959121297408.0
		OVER 226673591159959121297408.0 TO 453347182319918242594816.0	OVER 453347182319918242594816.0 TO 906694364639836485189632.0
		OVER 906694364639836485189632.0 TO 1813388729279672970379264.0	OVER 1813388729279672970379264.0 TO 3626777458559345940758528.0
		OVER 3626777458559345940758528.0 TO 7253554917118691881517056.0	OVER 7253554917118691881517056.0 TO 14507109834237383763034112.0
		OVER 14507109834237383763034112.0 TO 29014219668474767526068224.0	OVER 29014219668474767526068224.0 TO 58028439336949535052136448.0
		OVER 58028439336949535052136448.0 TO 116056878673899070104272896.0	OVER 116056878673899070104272896.0 TO 232113757347798140208545792.0
		OVER 232113757347798140208545792.0 TO 464227514695596280417091584.0	OVER 464227514695596280417091584.0 TO 928455029391192560834183168.0
		OVER 928455029391192560834183168.0 TO 1856910058782385121668366336.0	OVER 1856910058782385121668366336.0 TO 3713820117564770243336732704.0
		OVER 3713820117564770243336732704.0 TO 7427640235129540486673465408.0	OVER 7427640235129540486673465408.0 TO 14855280470259080933541310016.0
		OVER 14855280470259080933541310016.0 TO 29710560940518161867082620032.0	OVER 29710560940518161867082620032.0 TO 59421121881036323734165240064.0
		OVER 59421121881036323734165240064.0 TO 118842243762072647468330480128.0	OVER 118842243762072647468330480128.0 TO 237684487524145294936660960256.0
		OVER 237684487524145294936660960256.0 TO 475368975048290589873321920512.0	OVER 475368975048290589873321920512.0 TO 950737950096581179746643841024.0
		OVER 950737950096581179746643841024.0 TO 1901475900193162359493287682048.0	OVER 1901475900193162359493287682048.0 TO 3802951800386324718986575364096.0
		OVER 3802951800386324718986575364096.0 TO 7605903600772649437973150728192.0	OVER 7605903600772649437973150728192.0 TO 15211807201545298875946314560384.0
		OVER 15211807201545298875946314560384.0 TO 30423614403090597751892629120768.0	OVER 30423614403090597751892629120768.0 TO 60847228806181195503785258241536.0
		OVER 60847228806181195503785258241536.0 TO 121694457612362391007574516482872.0	OVER 121694457612362391007574516482872.0 TO 243388915224724782015149032965744.0
		OVER 243388915224724782015149032965744.0 TO 486777830449449564030298065931488.0	OVER 486777830449449564030298065931488.0 TO 973555660898899128060596131862976.0
		OVER 973555660898899128060596131862976.0 TO 1947111321797798256121192263725952.0	OVER 1947111321797798256121192263725952.0 TO 3894222643595596512242385267451904.0
		OVER 3894222643595596512242385267451904.0 TO 7788445287191193024484770534903808.0	OVER 7788445287191193024484770534903808.0 TO 15576890574382386048975441069807616.0
		OVER 15576890574382386048975441069807616.0 TO 31153781148764772097950882139615232.0	OVER 31153781148764772097950882139615232.0 TO 62307562297529544195901764279230464.0
		OVER 62307562297529544195901764279230464.0 TO 124615124595059088391803525558460928.0	OVER 124615124595059088391803525558460928.0 TO 249230249190118176783607051117121856.0
		OVER 249230249190118176783607051117121856.0 TO 498460498380236353567214102234243712.0	OVER 498460498380236353567214102234243712.0 TO 996920996760472707134428204468467424.0
		OVER 996920996760472707134428204468467424.0 TO 199384199352094541426885640891734848.0	OVER 199384199352094541426885640891734848.0 TO 398768398704189082853771281783669696.0
		OVER 398768398704189082853771281783669696.0 TO 797536797408378165707542563567339392.0	OVER 797536797408378165707542563567339392.0 TO 1595073594816756331415091127133467872.0
		OVER 1595073594816756331415091127133467872.0 TO 319014718963351266283018225426695744.0	OVER 319014718963351266283018225426695744.0 TO 638029437926702532566036450853391488.0
		OVER 638029437926702532566036450853391488.0 TO 127605887585340506513320720170678336.0	OVER 127605887585340506513320720170678336.0 TO 255211775170681013026641440341356672.0
		OVER 255211775170681013026641440341356672.0 TO 51042355034136202605328288068271328.0	OVER 51042355034136202605328288068271328.0 TO 102084710068272405210656576136542656.0
		OVER 102084710068272405210656576136542656.0 TO 204169420136544810421313152273109112.0	OVER 204169420136544810421313152273109112.0 TO 408338840273089620842626244546218224.0
		OVER 408338840273089620842626244546218224.0 TO 816677680546179241685252489092436448.0	OVER 816677680546179241685252489092436448.0 TO 1633355361092358483370504978184872896.0
		OVER 1633355361092358483370504978184872896.0 TO 3266710722184716966741009956369745792.0	OVER 3266710722184716966741009956369745792.0 TO 65334214443694339334820199127394915584.0
		OVER 65334214443694339334820199127394915584.0 TO 130668428887388678669640398254789311168.0	OVER 130668428887388678669640398254789311168.0 TO 261336857774777357339280796509578622336.0
		OVER 261336857774777357339280796509578622336.0 TO 522673715549554714678561593019157244672.0	OVER 522673715549554714678561593019157244672.0 TO 104534743109910942935712318603831448944.0
		OVER 104534743109910942935712318603831448944.0 TO 209069486219821885871424637207666897888.0	OVER 209069486219821885871424637207666897888.0 TO 41813897243964377174284927441533777776.0
		OVER 41813897243964377174284927441533777776.0 TO 83627794487928754348569854883067555552.0	OVER 83627794487928754348569854883067555552.0 TO 16725558897585750869713970976613111104.0
		OVER 16725558897585750869713970976613111104.0 TO 33451117795171501739427841953226222208.0	OVER 33451117795171501739427841953226222208.0 TO 6690223559034300347885568390645244416.0
		OVER 6690223559034300347885568390645244416.0 TO 13380447118068600695771137812910488832.0	OVER 13380447118068600695771137812910488832.0 TO 26760894236137201391542276255820777664.0
		OVER 26760894236137201391542276255820777664.0 TO 53521788472274402783084552511641555328.0	OVER 53521788472274402783084552511641555328.0 TO 10704357694454880556617110522283110656.0
		OVER 10704357694454880556617110522283110656.0 TO 21408715388909761113234222044566221312.0	OVER 21408715388909761113234222044566221312.0 TO 42817430777819522226464440891324224.0
		OVER 42817430777819522226464440891324224.0 TO 856	

THIS DRAWING AND SPECIFICATIONS HEREIN ARE THE PROPERTY OF DIGITAL EQUIPMENT CORPORATION AND SHALL NOT BE REPRODUCED OR COPIED OR USED IN WHOLE OR IN PART AS THE BASIS FOR THE MANUFACTURE OR SALE OF ITEMS WITHOUT WRITTEN PERMISSION.  
COPYRIGHT © 1982 DIGITAL EQUIPMENT CORPORATION



REVISION HISTORY		
DATE	ECO NUMBER	REV

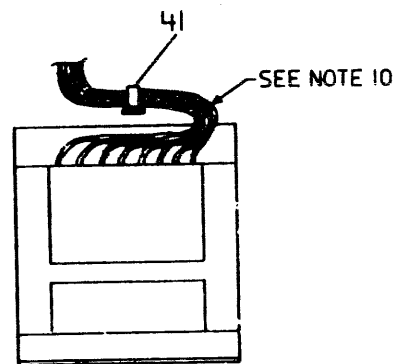
TITLE  
TRANSFORMER ASSY

DOCUMENT NUMBER		REV
SIZE CODE	NUMBER	
DIA	7018477-0-0	H
SCALE NOTED	SHEET	2 OF 6

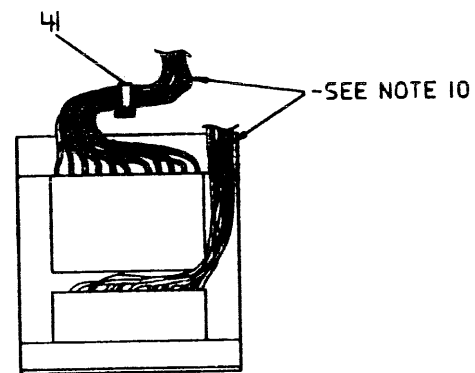
DIA 7018477-0-0 H

DIA 7018477-0-0

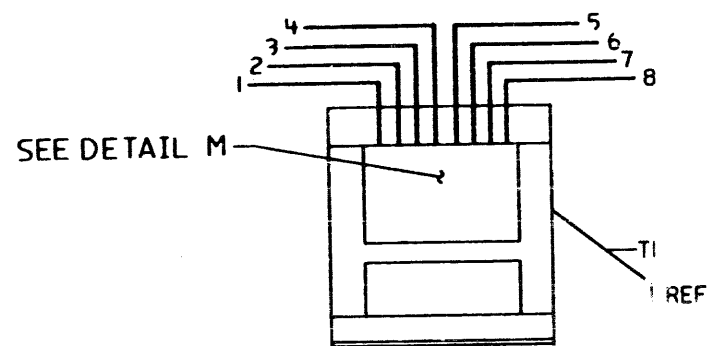
THE DRAWING AND SPECIFICATIONS HEREIN ARE THE PROPERTY OF DIGITAL EQUIPMENT CORPORATION AND SHALL NOT BE REPRODUCED OR COPIED OR USED IN WHOLE OR IN PART AS THE BASIS FOR THE MANUFACTURE OR SALE OF ITEMS WITHOUT WRITTEN PERMISSION. COPYRIGHT © 1982 DIGITAL EQUIPMENT CORPORATION



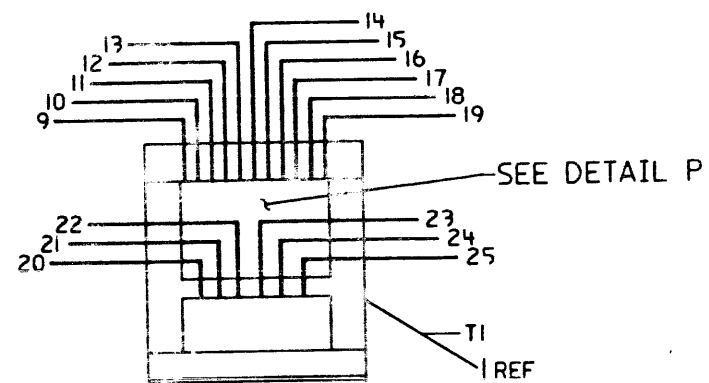
DETAIL M  
SCALE: 1/2



DETAIL P  
SCALE: 1/2



VIEW D-D  
SCALE: 1/2



VIEW E-E  
SCALE: 1/2

REVISION HISTORY		
DATE	ECO NUMBER	REV

TITLE TRANSFORMER ASSY DIA 7018477-0-0

DOCUMENT NUMBER		
CODE	NUMBER	REV

SCALE NOTED SHEET 3 OF 6

THIS DRAWING AND SPECIFICATIONS HEREIN ARE THE PROPERTY OF DIGITAL EQUIPMENT CORPORATION AND SHALL NOT BE REPRODUCED OR COPIED IN WHOLE OR IN PART AS THE BASIS FOR THE MANUFACTURE OR SALE OF ITEMS WITHOUT WRITTEN PERMISSION FROM DIGITAL EQUIPMENT CORPORATION.

WIRE TABLE										
ITEM NO	DESCRIPTION		FROM			TO			LENGTH/ITEM	PRECUT LENGTH
	AWG	COLOR	CONN	STRIP	TERM	CONN	STRIP	TERM		
1	14	YEL/BLK	T1-1	++	++	J3-7	.19	39	+/+	5.25
1	14	YEL/WHT	T1-2	++	++	J3-9	.19	39	+/+	5.25
1	18	RED	T1-3	++	++	C1-1	.25	34	4.0/20	6.75
23	14	RED	J3-14	.19	18	C1-2	.25	22		7.25
1	18	RED/YEL	T1-4	++	++	J3-13	.19	18	1.0/20	5.25
↑	18	RED/WHT	T1-5	↑	↑	J3-15	↑	18		5.25
↑	14	YEL/WHT	T1-6	↑	↑	J3-12	↑	39	+/+	5.25
↑	14	YEL/BLK	T1-7	↑	↑	J3-10	↑	39	+/+	5.25
↑	14	YEL	T1-8	↑	↑	P501-11	↑	40	8.0/43	16.25
↑	14	ORN/BLK	T1-9	↑	↑	J2-3	↑	39	+/+	5.25
↑	14	ORN	T1-10	↑	↑	P501-1	↑	40	+/+	14.75
↑	18	BLU	T1-18	↑	↑	P501-8	↑	19	+/+	17.25
↓	14	ORN/WHT	T1-11	↓	↓	J2-1	↓	39		5.25
↓	18	BLU/BLK	T1-12	↓	↓	J2-6	↓	18		5.25
↑	18	BLU/WHT	T1-14	↑	↑	J2-4	↑	18	+/+	5.25
↑	18	BLU/WHT	T1-15	↑	↑	J2-7	↑	18	+/+	5.25
↑	18	BLU/BLK	T1-16	↑	↑	J2-9	↑	18		5.25
↑	14	ORN/WHT	T1-17	↑	↑	J2-10	↑	39		5.25
↑	14	ORN/BLK	T1-19	↑	↑	J2-12	↑	39		5.25
↓	18	BLK/WHT	T1-20	↓	↓	J2-13	↓	18	6.5/44	9.25
↓	18	BLK/YEL	T1-21	↓	↓	J2-15	↓	18		8.75
↑	18	BLK	T1-22	↑	↑	J1-1	.19	19	1.0/43	9.75
↑	18	BLK	J2-14	.19	18	S1-2	.19	7.21	+/+	2.5
1	18	BRN/WHT	T1-25	++	++	J3-3	.19	18		9.75
1	18	BRN/YEL	T1-24	++	++	J3-1	.19	18	7.5/44	9.25
1	18	BRN	T1-23	++	++	J1-3	.19	19		8.25
30	18	BRN	S1-2A	.19	7.21	J1-4	.19	19		3.0
↑	18	BRN	J3-2	.19	18	S1-1	.19	21.7	+/+	2.7
28	18	BLK	J1-2	.19	19	S1-1A	.19	21.7	+/+	2.7
1	18	GRN/YEL	T1-13	++	++	↑	.19	35	+/+	18.0
17	18	BLK	P602-2	++	++	↑	.19	35	+/+	+/+

WIRE TABLE										
ITEM NO.	DESCRIPTION		FROM			TO			LENGTH/ITEM	PRECUT LENGTH
	AWG	COLOR	CONN	STRIP	TERM	CONN	STRIP	TERM		
24	14	ORN	J2-2	.19	18	CB4-2	.25	22	4.0/20	6.0
25	14	BLU	J2-5	.19	18	CB5-2	↑	31	+/+	6.0
17	18	BLU/YEL	P602-3	++	++	↑	↑	↑	+/+	+/+
24	14	ORN	J2-11	.19	18	CB1-2	↑	22	4.0/20	8.0
25	14	BLU	J2-8	.19	18	CB2-2	↑	31	+/+	6.6
17	18	BLU/YEL	P602-1	++	++	↑	↑	↑	+/+	+/+
26	14	YEL	J3-8	.19	18	CB3-2	↓	22	4.0/20	7.0
26	14	YEL	J3-11	↑	18	CB6-2	.25	22		7.25
28	18	BLK	S1-18		21.7	S1-2B	.19	21.7	+/+	2.25
29	14	WHT	P2-2		19	P2-3	↑	19		2.5±.2
↑	↑	↑	P2-5	↑	↑	P2-6	↑	↑		↑
↑	↑	↑	P2-8	↑	↑	P2-9	↑	↑		↑
↓	↓	↓	P2-11	↓	↓	P2-12	↓	↓		↓
29	↑	WHT	P2-14			P2-15			+/+	
23	↑	RED	P3-1			P3-2				
↑	↑	↑	P3-4			P3-5				
↑	↑	↑	P3-7			P3-8				
↓	↓	↓	P3-10	↓	↓	P3-11	↓	↓		
23	14	RED	P3-13	.19	19	P3-14	.19	19		2.5±.2
16	14	BLU	P501-2	++	++	CB2-1	.25	22		
↑	↑	BLU	P501-3	++	++	CB5-1	↑	↑		
↑	↑	ORN	P501-7	++	++	CB4-1	↑	↑	+/+	+/+
↑	↑	ORN	P501-4	++	++	CB1-1	↑	↑		
↓	↓	YEL	P501-12	++	++	CB3-1	↓	↓		
16	14	YEL	P501-10	++	++	CB6-1	.25	22		

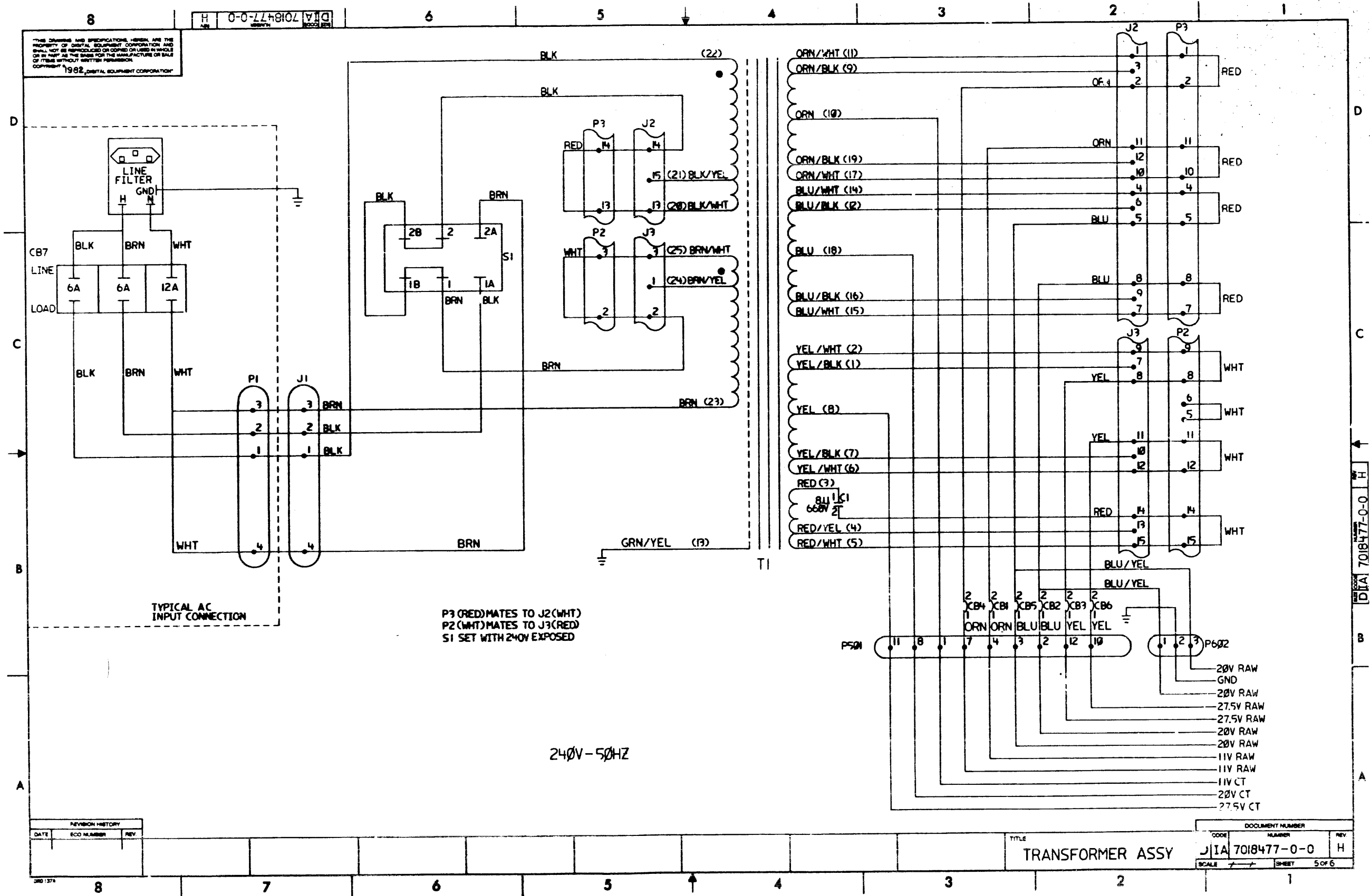
- NOTES: (CONTINUED FROM SHEET D)
- 5.A. CABLE TIE (ITEM 27) TO BE USED TO KEEP MATE-N-LOK HOUSINGS (ITEMS 14 & 15) ATTACHED. INSTALL CABLE TIE (ITEM 27) AFTER MATE-N-LOK HOUSINGS (ITEMS 14 & 15) ARE INSERTED INTO THEIR RESPECTIVE MATING HOUSINGS (ITEMS 10 & 11).
  - 5.B. MATE-N-LOCK HOUSINGS (ITEMS 14 AND 15) MAY BE SUPPLIED DISCONNECTED FROM THE MAIN ASSEMBLY AND PACKAGED IN THE SAME BOX AS THE ASSEMBLY.
  6. UNLESS OTHERWISE SPECIFIED:
    - A. PARTS TO CONFORM TO DEC STD 116 & 022.
  7. ALL WIRE SHOULD BE DRESSED TO PREVENT CONTACT WITH SUPPORT BRACKETS.
  8. ALL WIRES TERMINATED WITH TERM, QUICK (ITEM 21) SHALL HAVE SHRINK TUBING (ITEM 7), LENGTH 1", APPLIED SO THAT TERMINAL IS COMPLETELY COVERED AND SHRINK IS FLUSH WITH METAL END OF TERMINAL.
  9. PUSH LOCK RING (PART OF ITEMS 36 & 37) FLUSH AGAINST CONNECTOR PLATE (ITEM 13).
  10. ROUTE WIRES (T1, 20-25) ALONG TRANSFORMER CORE AS INDICATED.

REVISION HISTORY		
DATE	ECO NUMBER	REV

TITLE	DOCUMENT NUMBER	SCALE	SHEET
TRANSFORMER ASSY	7018477-0-0	+/+	4 OF 6

H 0-0-77-0-0  
DIA 7018477-0-0

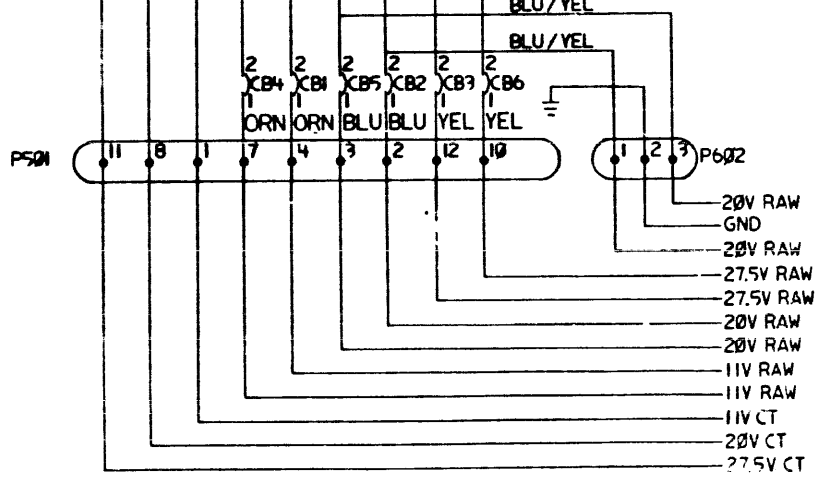
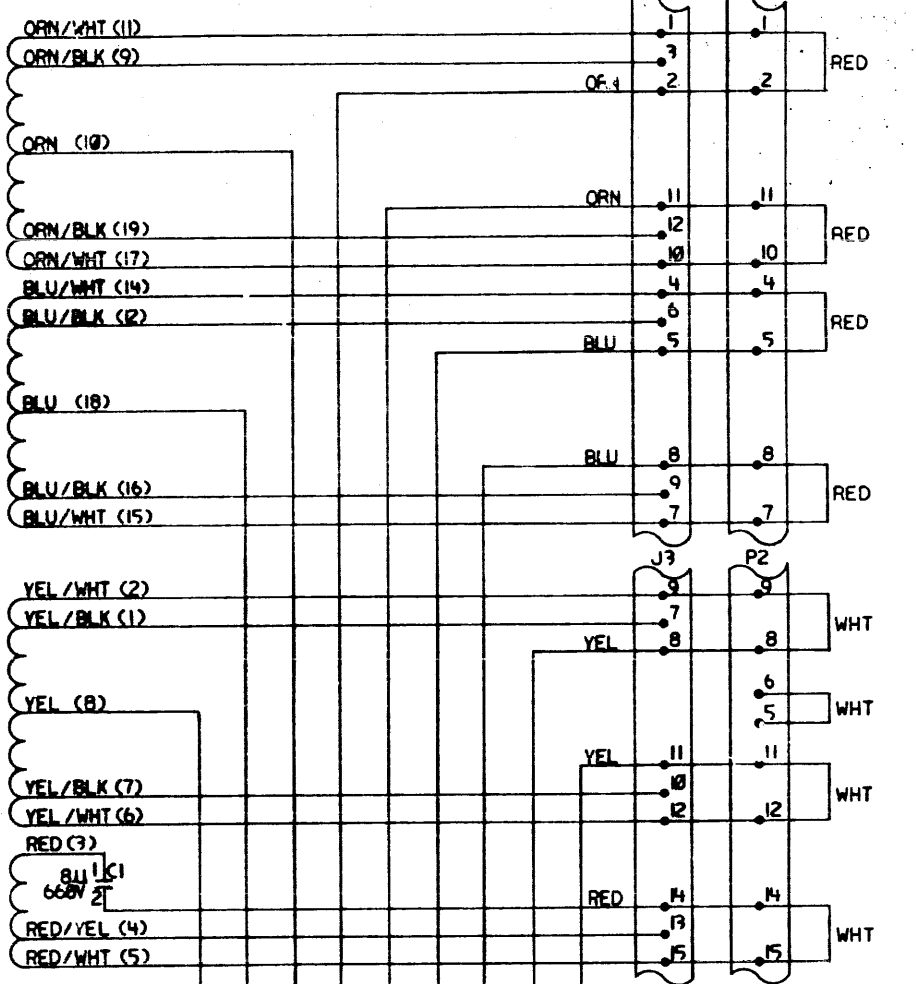
THIS DRAWING AND SPECIFICATIONS HEREIN ARE THE PROPERTY OF DIGITAL EQUIPMENT CORPORATION AND SHALL NOT BE REPRODUCED OR COPIED IN WHOLE OR IN PART AS THE BASIS FOR THE MANUFACTURE OR SALE OF ITEMS WITHOUT WRITTEN PERMISSION COMPANY # 1982



TYPICAL AC INPUT CONNECTION

P3 (RED) MATES TO J2 (WHT)  
P2 (WHT) MATES TO J3 (RED)  
S1 SET WITH 240V EXPOSED

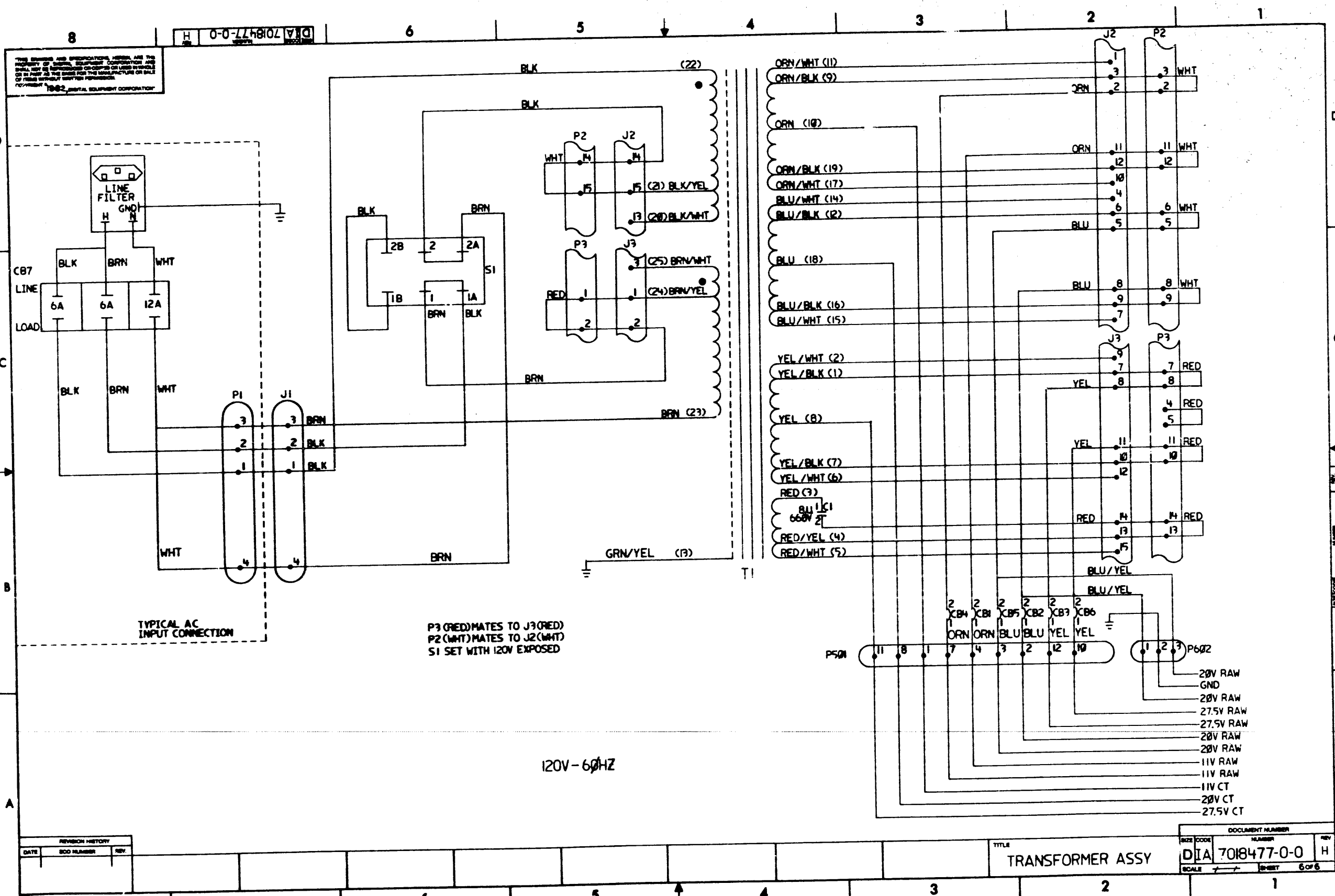
240V-50HZ



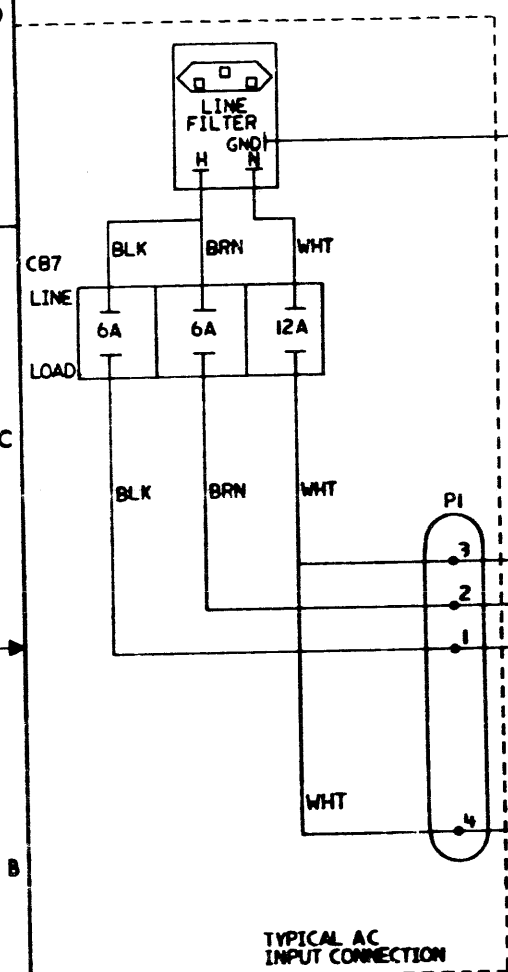
REVISION HISTORY		
DATE	ECO NUMBER	REV

TITLE  
TRANSFORMER ASSY

DOCUMENT NUMBER		
CODE	NUMBER	REV
JIA	7018477-0-0	H
SCALE	SHEET	5 of 6



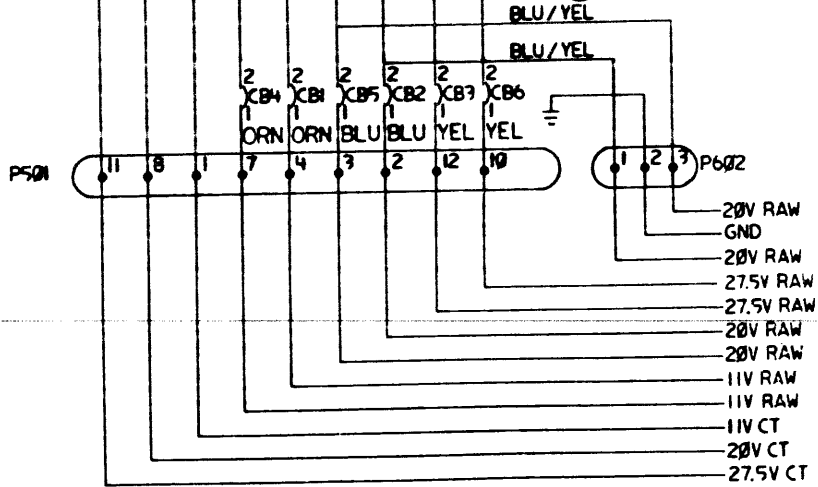
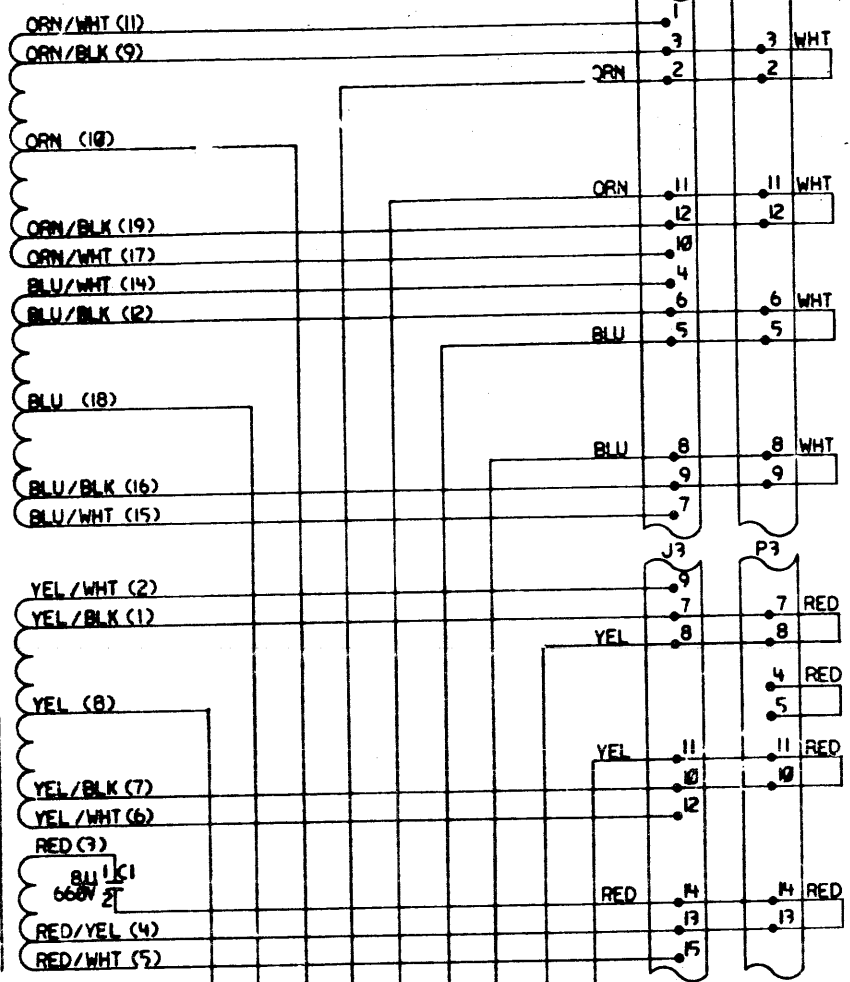
THIS DRAWING AND SPECIFICATIONS HEREON ARE THE PROPERTY OF BENTON ELECTRONIC CORPORATION AND SHALL NOT BE REPRODUCED OR COPIED OR USED IN WHOLE OR IN PART AS THE BASIS FOR THE MANUFACTURE OR SALE OF ITEMS WITHOUT WRITTEN PERMISSION.  
 COPYRIGHT © 1962 BENTON ELECTRONIC CORPORATION



TYPICAL AC INPUT CONNECTION

P3 (RED) MATES TO J3 (RED)  
 P2 (WHT) MATES TO J2 (WHT)  
 S1 SET WITH 120V EXPOSED

120V - 60 HZ



- 20V RAW
- GND
- 20V RAW
- 27.5V RAW
- 27.5V RAW
- 20V RAW
- 20V RAW
- 11V RAW
- 11V RAW
- 11V CT
- 20V CT
- 27.5V CT

REVISION HISTORY		
DATE	ECO NUMBER	REV.

TITLE  
 TRANSFORMER ASSY

DOCUMENT NUMBER			
SIZE	CODE	NUMBER	REV.
DIA		7018477-0-0	H
SCALE		SHEET	6 OF 6



PARTS LIST

LINE ITEM	TOP DOCUMENT	PART NUMBER	MIN REV	DESCRIPTION	QTY	PER VARIATION	REFERENCE DESIGNATOR
				VARIATION REVISION LEVEL:	01		D2
1		1619076-01		XFMRF 90-128/60HZ 180-256/50HZ	1		T1
2		1019077-01		8 MFD 660VAC 6% PAPER/OIL	1		C1
3		1213683-01		BOOT,CAPACITOR,RUBBER,H0LES IN S	1		
4		9010174-00		SCREW,SEMS PAN PHIL 6-	3		
5		9006024-01		SCREW,MACH PAN PHIL 6-	1		
6		9006560-00		NUT,HEX EXT TOOTH LCKWSHR 6-32	2		
7		9107255-00		TUBING,SHRINK .125ID EXP	A/R		
8		1213156-01		BRACKET,CAPACITOR,WRAP-AROUND	1		
9		1212168-02		MATE-N-LOK 04POS(1X04).250CC HSG	1		J1
10		1212168-06		MATE-N-LOK 15POS(3X05).250CC HSG	1		J2
11		1212168-09		MATE-N-LOK 15POS(3X05).250CC HSG	1		J3
12		1216901-03		SW,SLIDE 2PDT 6A	1		S1
13	D-MD-7426553-0-0	7426553-01		PLATE, CONNECTOR	1		
14		1212167-05		MATE-N-LOK 15SKT(3X05).250CC HSG	1		P2
15		1212167-10		MATE-N-LOK 15SKT(3X05).250CC HSG	1		P3
16	D-IA-7019085-0-0	7019085-01		RAW VOLTAGE HARNESS	1		P501
17	D-IA-7019067-0-0	7019067-01		STAY ALIVE HARNESS	1		P602
18		1213807-01		MATE-N-LOK 01PIN 20-14AWG .0820D	19		
19		1212170-00		MATE-N-LOK 01SKT 20-14AWG .0850D	25		
20		9107253-00		TUBING,SHRINK .250ID EXP	A/R		
21		1223741-01		TERM,QUICK .032TAB 22-18AWG	6		
22		9007969-00		TERM,QUICK .300TAB CRIMP 14-1	11		
23		9107787-22		WIRE, 14AWG19/.0147IPVC 300V1	A/R		
24		9107787-33		WIRE, 14AWG19/.0147IPVC 300V1	A/R		
25		9107787-66		WIRE, 14AWG19/.0147IPVC 300V1	A/R		
26		9107787-44		WIRE, 14AWG19/.0147IPVC 300V1	A/R		
27		9007032-00		TIE,CABLE BUNDL.DIA 0-1-3/4"=101	A/R		
28		9107786-00		WIRE, 18AWG( 19/30)IPVC 300V1	A/R		
29		9107787-99		WIRE, 14AWG19/.0147IPVC 300V1	A/R		
30		9107786-11		WIRE, 18AWG( 19/30)IPVC 300V1	A/R		

REVISION HISTORY			BASIC PART NO: 7018477		DRN: M. BELL		DATE: 10-FEB-82		DIGITAL		
ENG	ECO NUMBER	REV	SECTION A OF A	CHK'D:	D. MILLER	DATE:	10-AUG-82	TITLE PARTS LIST TRANSFORMER ASSY			
RT	INITIAL REL	A	SECTION.VARIATION INDEX								
RT	7018477-CX001	B	[A] 01								
MM	RA60-CX002	C	[B]								
KH	7018477-CX003	D	[C]	DES.ENG:	R.E. THELLEN	DATE:	10-AUG-82	DOCUMENT NUMBER			
DC	7018477-CX005	E*	[D]					SIZE	CODE	NUMBER	REV
DC	7018477-CX005	F	[E]	RESP.ENG.:	B. MILLER	DATE:	10-AUG-82	K	PL	7018477-0-DBP	H
CW	7018477-CX006	H	[F]								
			[G]								
			[H]								
			[I]								
			[J]								
			[K]	MFG.ENG.:	K. WOLF	DATE:	10-AUG-82	RELEASE DATE: 15-JUL-85			
			[L]								
			[M]	ASSEMBLY NUMBER:	D-IA-7018477-0-0	TOP DOCUMENT NUMBER:	B-DD-RA60-0-0-0	FILE NAME:	Z2218H.PLS	EDIT #:	24
			[N]								

\*THIS DRAWING AND THE SPECIFICATIONS CONTAINED HEREIN ARE CONFIDENTIAL AND PROPRIETARY. THEY ARE THE PROPERTY OF DIGITAL EQUIPMENT CORPORATION AND SHALL NOT BE REPRODUCED OR COPIED OR USED IN WHOLE OR IN PART AS THE BASIS FOR THE MANUFACTURE OR SALE OF ITEMS WITHOUT WRITTEN PERMISSION. THIS IS AN UNPUBLISHED WORK PROTECTED UNDER THE FEDERAL COPYRIGHT LAWS.\*

AUTOMATED BY PRTLST,3P(44)

PARTS LIST

SHEET A2 OF A2

LINE ITEM	TOP DOCUMENT	PART NUMBER	MIN REV	DESCRIPTION	VARIATION REVISION LEVEL:	QTY PER VARIATION	REFERENCE DESIGNATOR
31	31	9007920-00		TERM QUICK .300TAB CRIMP 12-1		2	
32	32	9007085-00		CLAMP,CABLE,SCREW MTD. 1/2 "		1	
33	33	9010089-00		SCREW,THD RL,PAN PHIL F/METAL		2	
34	34	9007970-00		TERM,QUICK .300TAB CRIMP 18-2		1	
35	35	9007926-01		TERM,RING #10STUD CRIMP 10-1		1	
36	36	1217476-01		CKT BKR 6.0 A 240V 1P THERMAL		2	
37	37	1217476-02		CKT BKR 15.0 A 240V 1P THERMAL		4	
38	38	9107250-00		TUBING,SHRINK .750ID EXP		A/R	
39	39	1213807-02		MATE-N-LOK 01PIN 20-14AWG .0820D		8	
40	40	1212170-02		MATE-N-LOK 01SKT 20-14AWG .0850D		2	
41	41	9007031-00	B	TIE,CABLE BUNDL.DIA 0- 3/4"=101		A/R	
42	42	9107254-00		TUBING,SHRINK .187ID EXP		A/R	
43	43	9107252-00		TUBING,SHRINK .375ID EXP		A/R	
44	44	9006022-01		SCREW,MACH PAN PHIL	6-	1	

SEE NOTE 1

45 NOTE: NOTE 1. QUANTITY FOR ITEM 38 (9107250-00) IS 5.0 INCHES.  
 46 NOTE: NOTE 2. \* REV E PARTS LIST DOES NOT EXIST AND WILL NEVER BE FILMED.

D I G I T A L	TITLE TRANSFORMER ASSY	SECTION A OF A	SIZE K	CODE PL	DOCUMENT NUMBER 7018477-0-DBP	REV H
---------------	---------------------------	----------------	-----------	------------	----------------------------------	----------